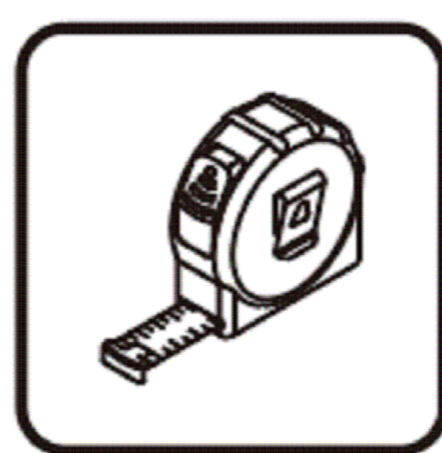
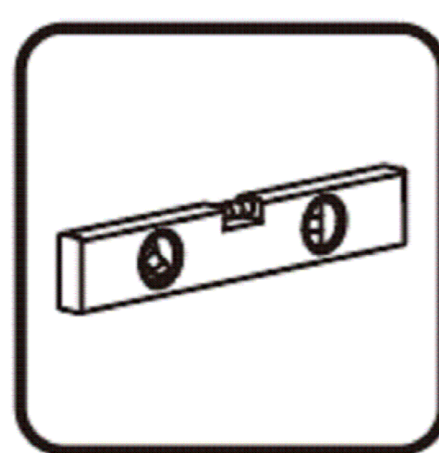
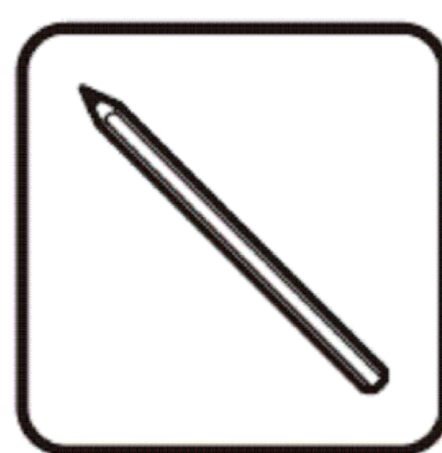
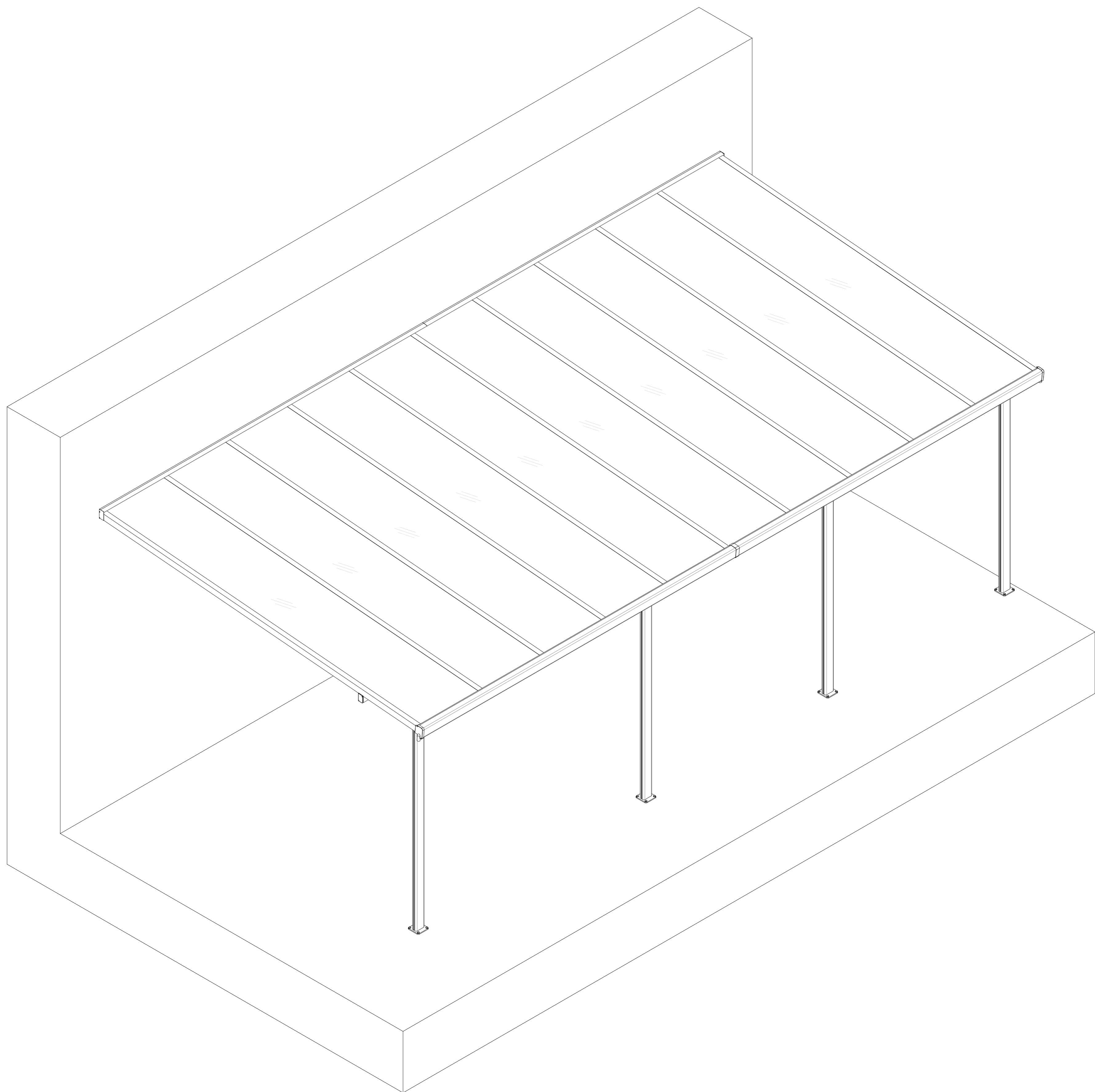
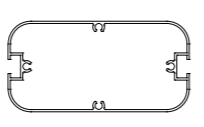
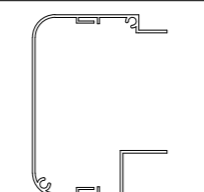
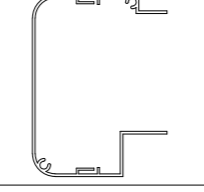
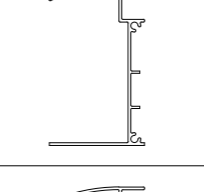
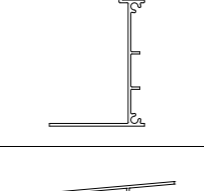
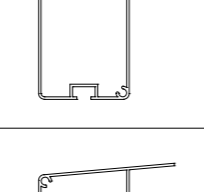
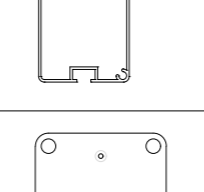
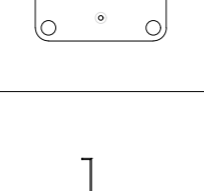
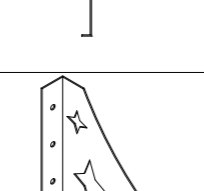
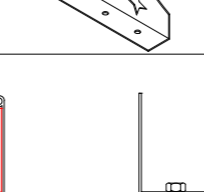
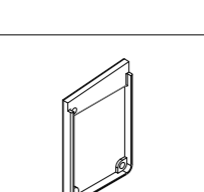
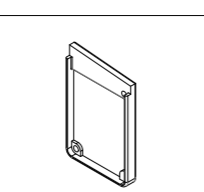
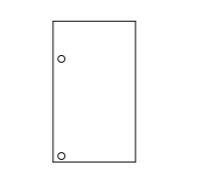
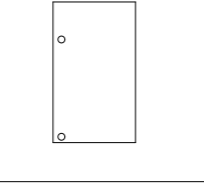
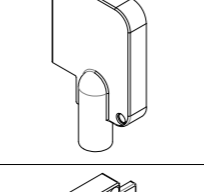
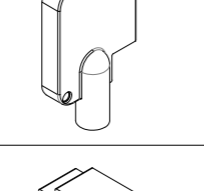
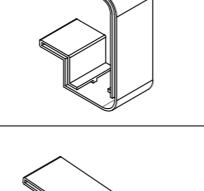
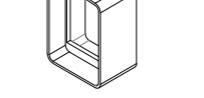

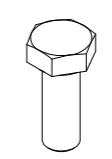
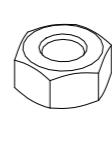
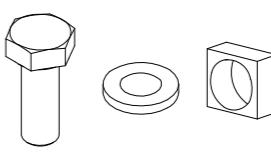
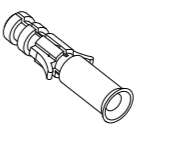
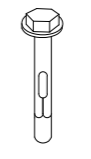
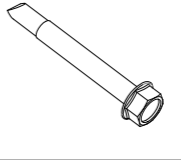


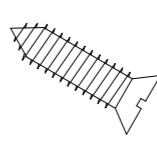
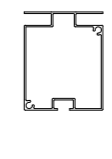
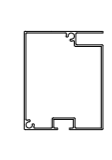


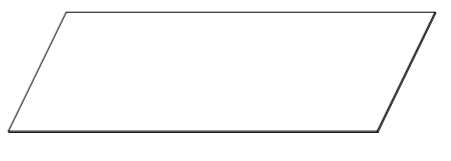
# ALUMINIUM PATIO COVER 6X3M



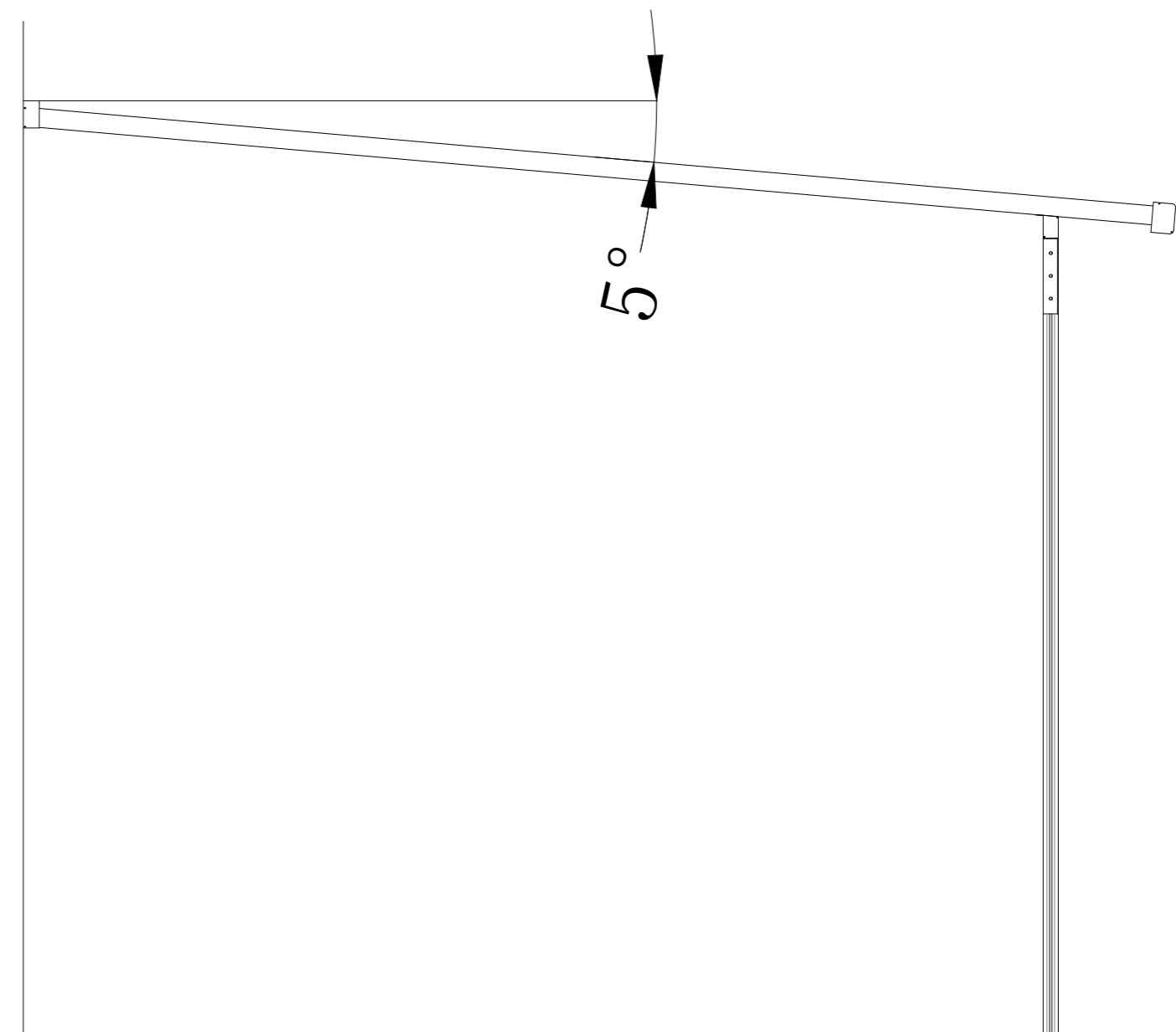
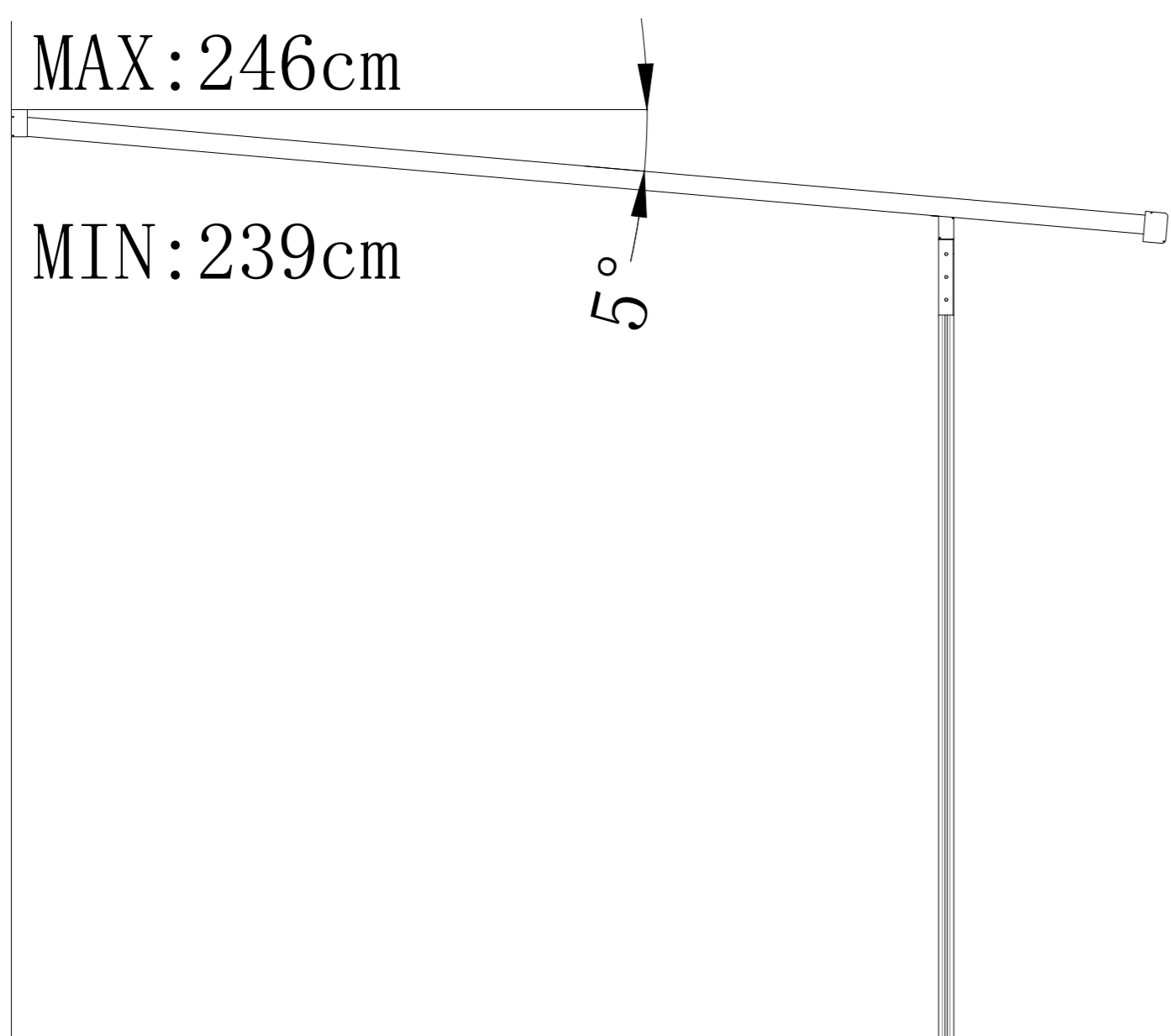
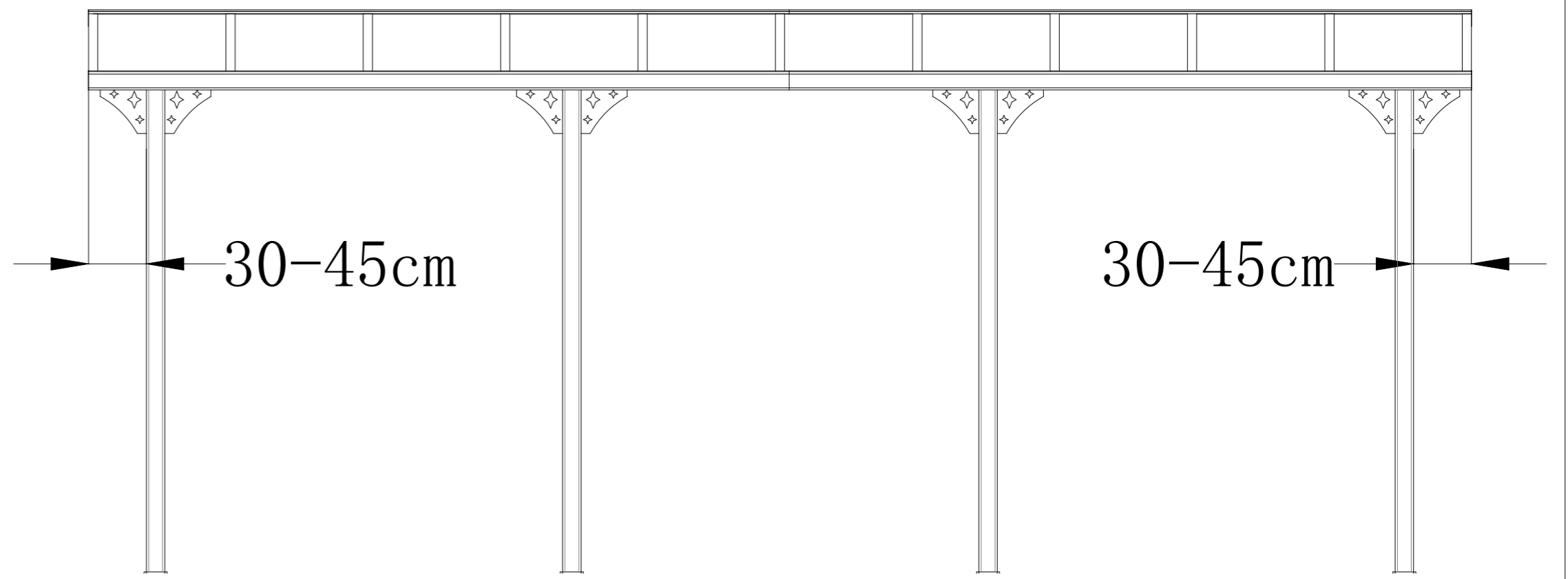
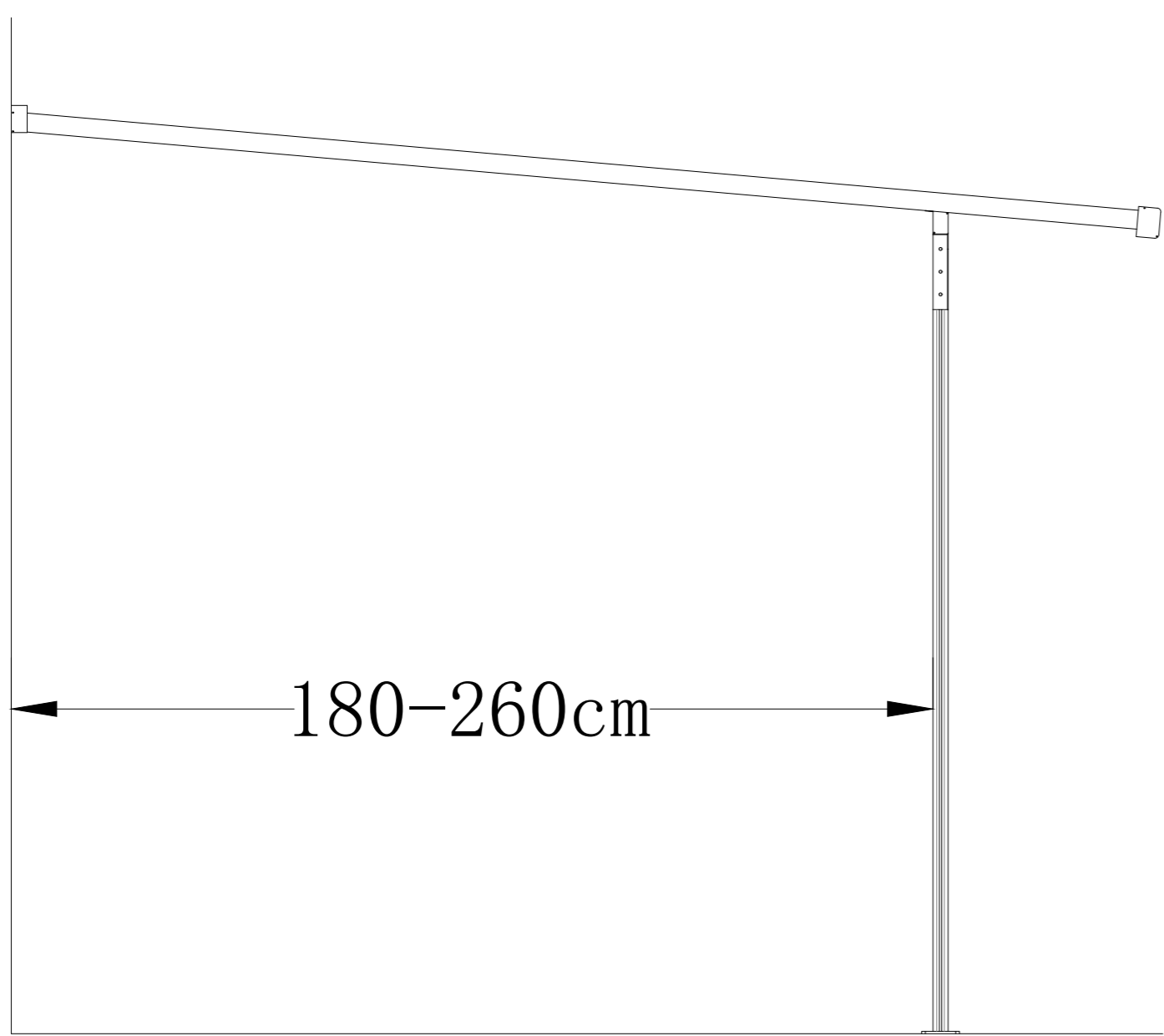
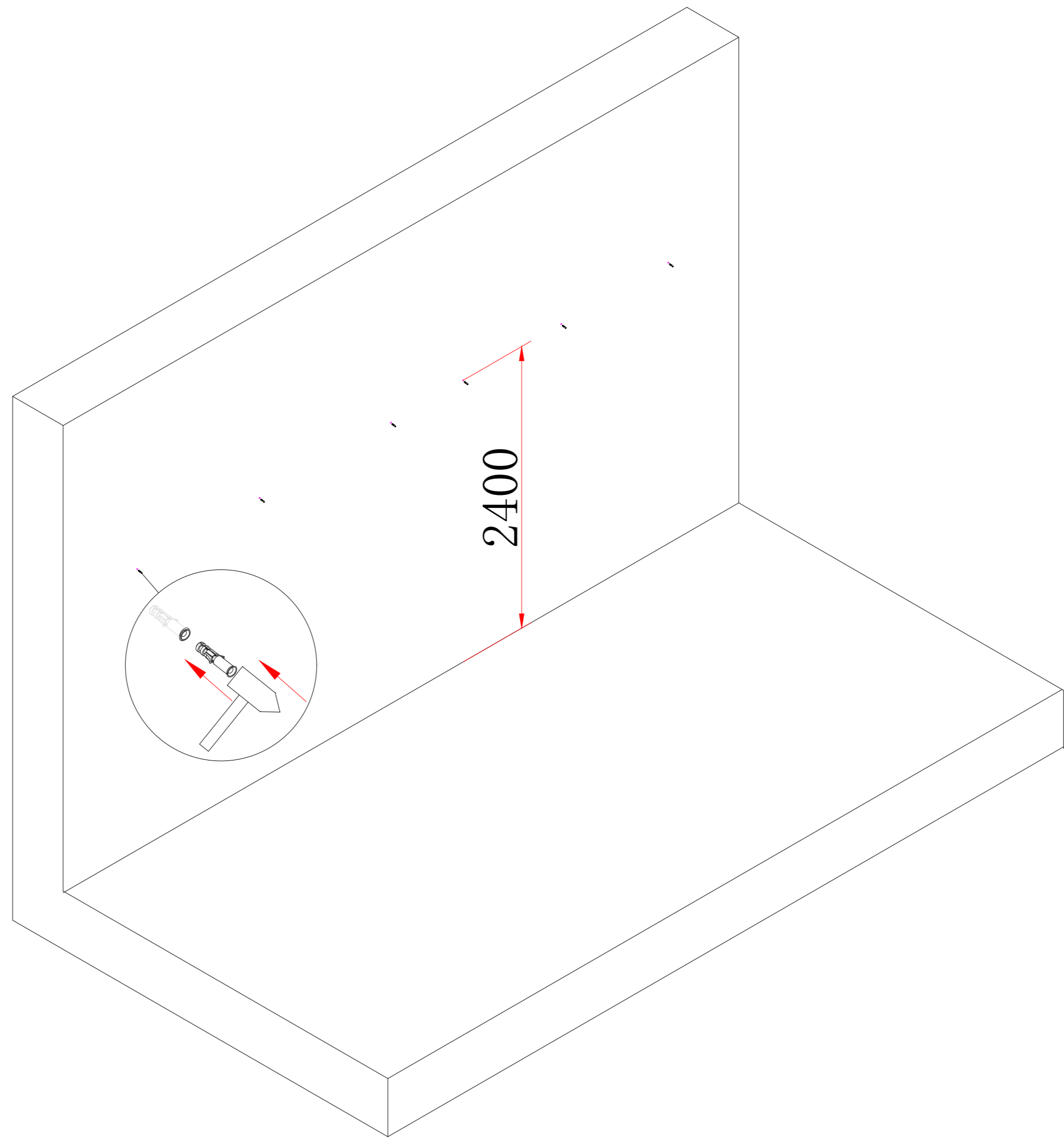
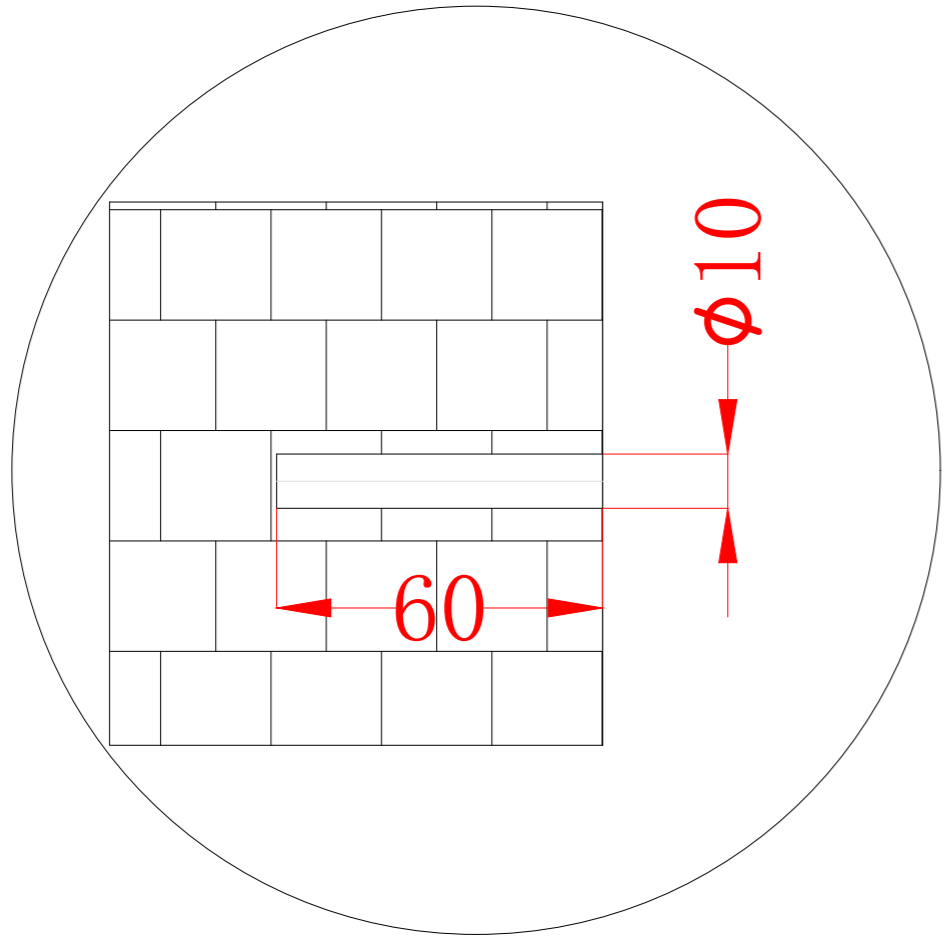
Name of parts	Section	QTY (pcs)
Box 1/3		
Fd-8		4
Fd-A5		1
Fd-A5b		1
Fd-A24		1
Fd-A24b		1
Fd-A12		1
Fd-A12b		1
Fd-1		4
Fa-2		1
Fd-4		8
Fd-12		1
Fd-P1L		1
Fd-P1R		1
Fd-P2L		1
Fd-P2R		1
Fd-P3L		1
Fd-P3R		1
Fd-P5		1
Fd-P6		1

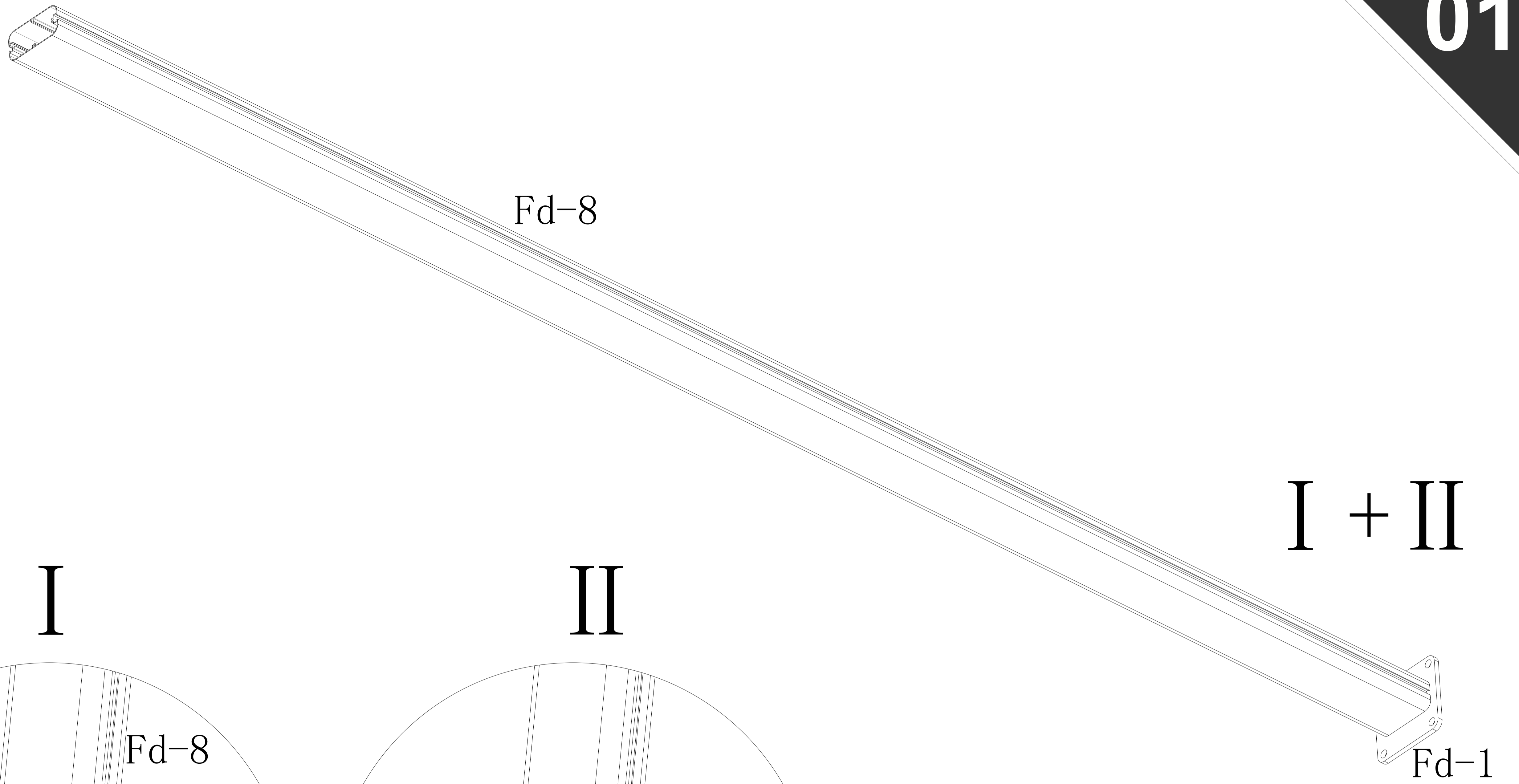
Name of parts	Section	QTY (pcs)
Box 1/3		
Fd-F27		81+2
Fd-F28		81+2
Fd-F29		4
Fd-F30		6
Fd-F31		16
Fd-F32		6
Fd-F33		16
Fd-F34		4
Fd-F35		12
instruction manual		1

Name of parts	Section	QTY (pcs)
Box 2/3		
Fd-A19		9
Fd-A20		2

Name of parts	Section	QTY (pcs)
Box 3/3		
Fd-A23		10

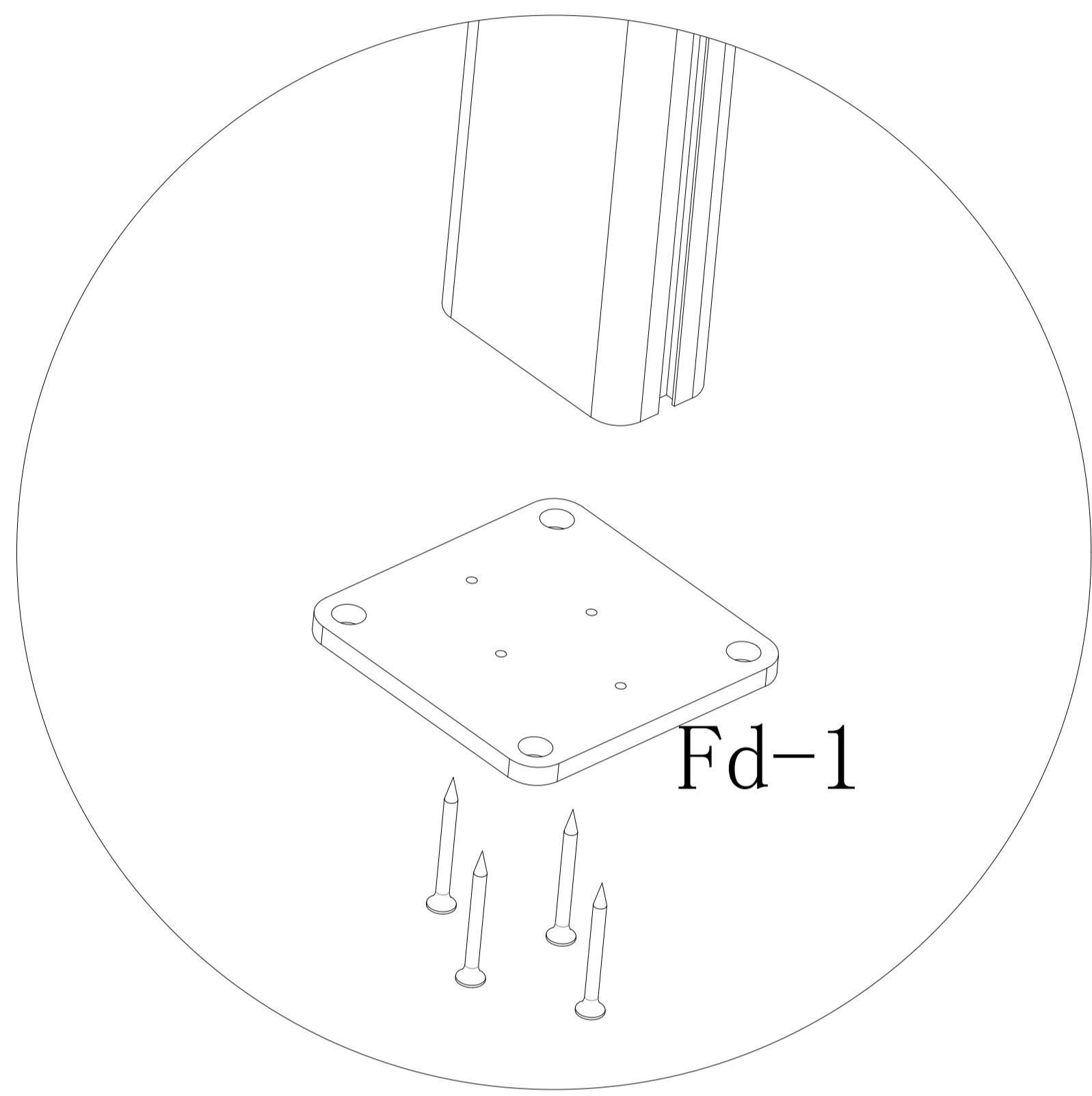
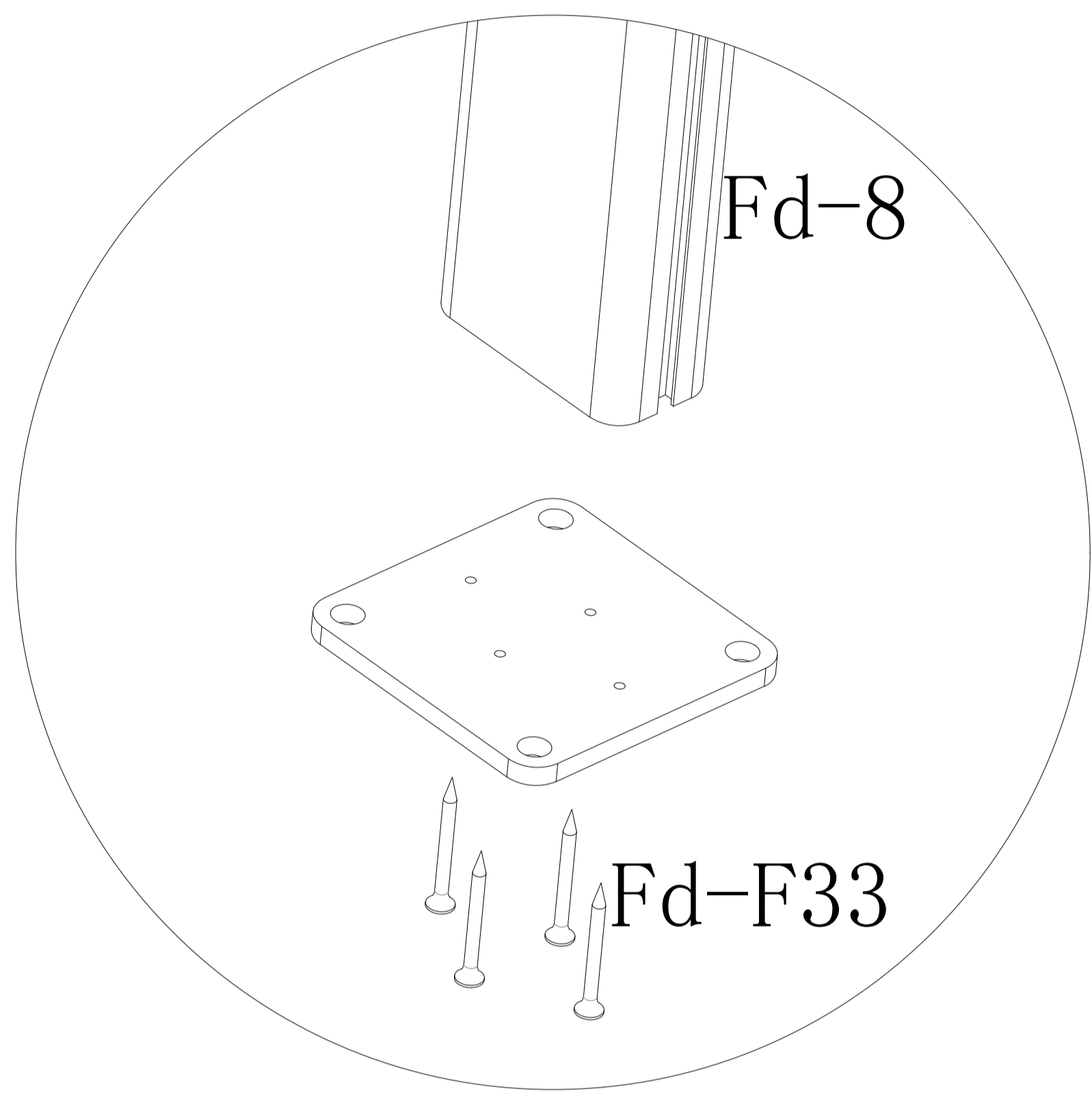






I

II

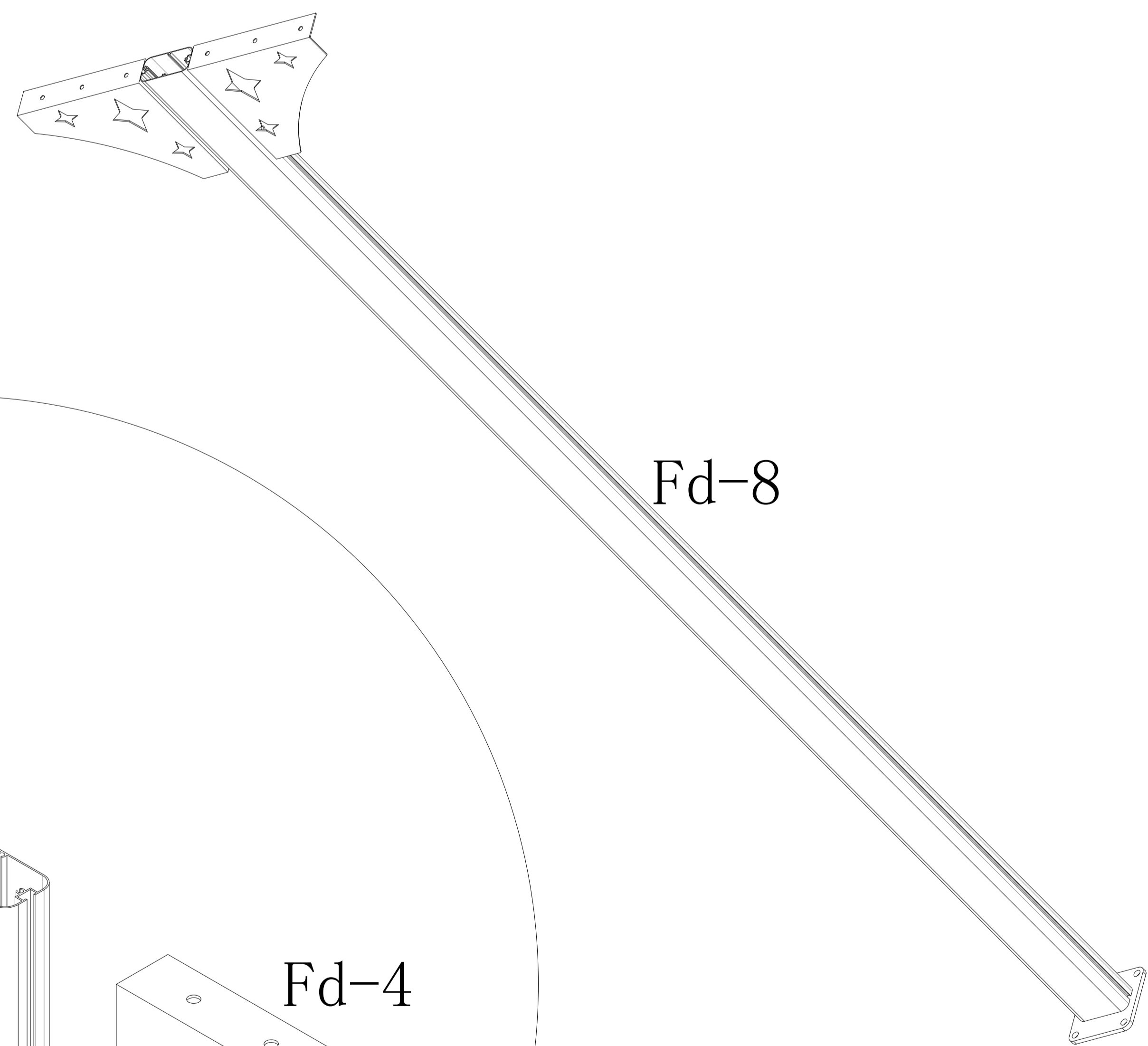
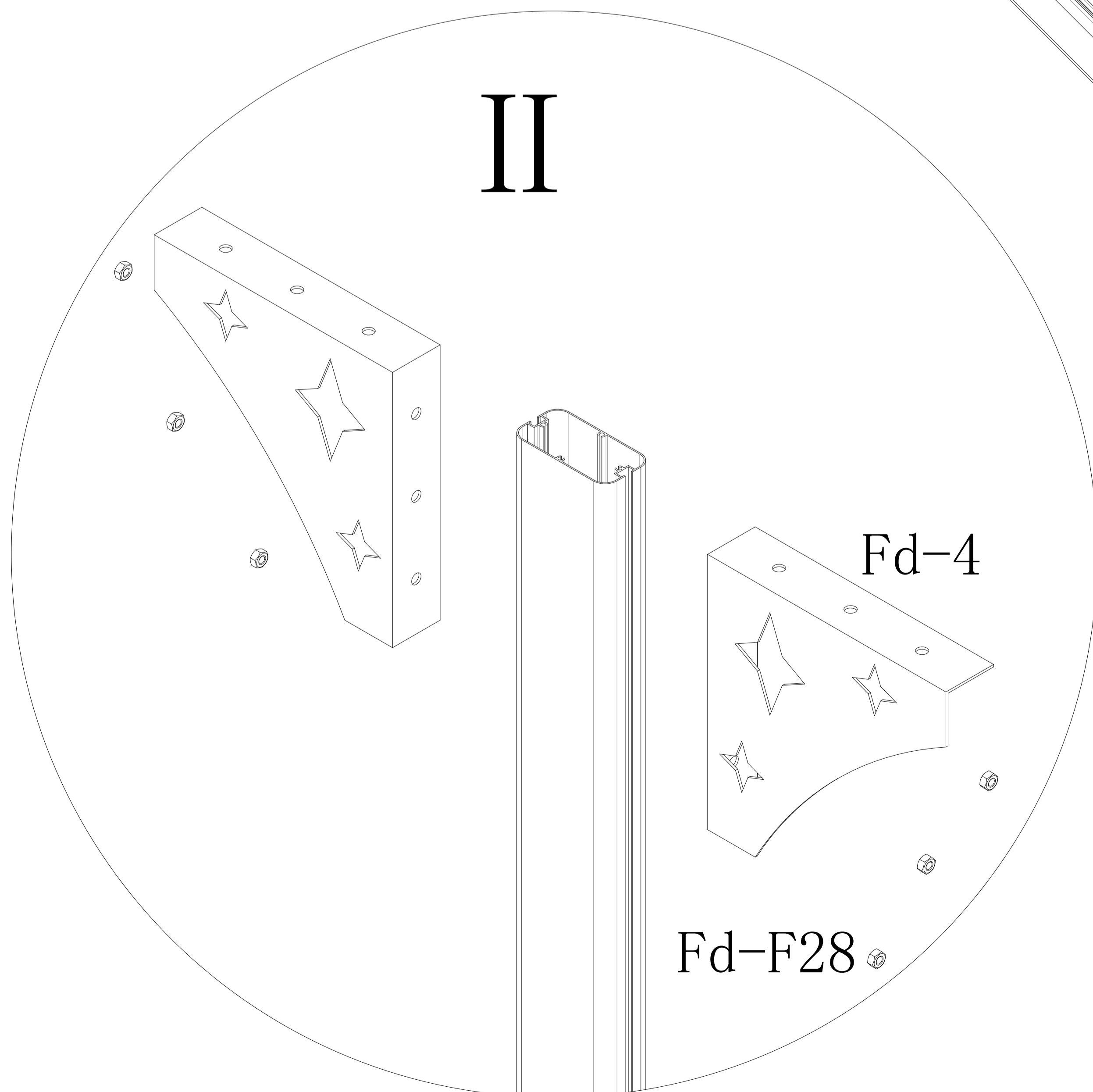
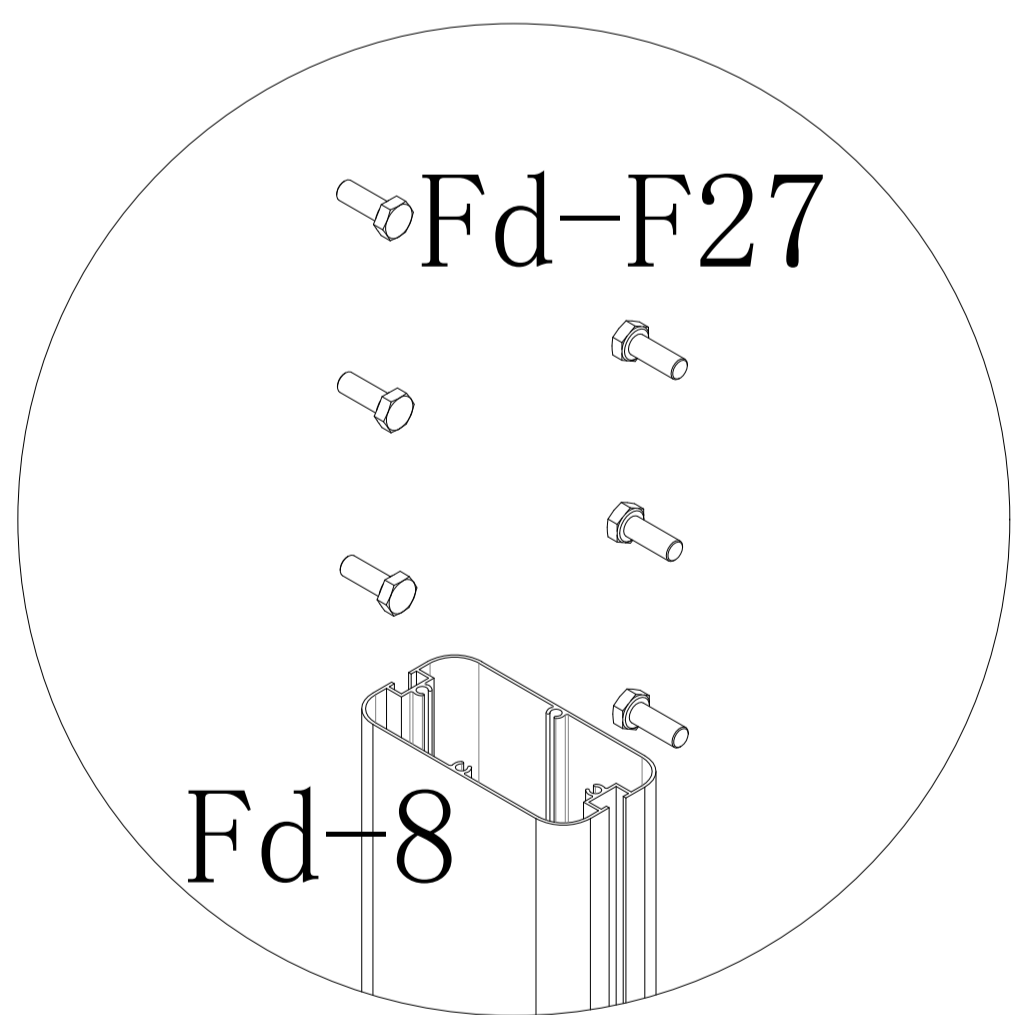


Fd-1		4
Fd-8		4
Fd-F33		16

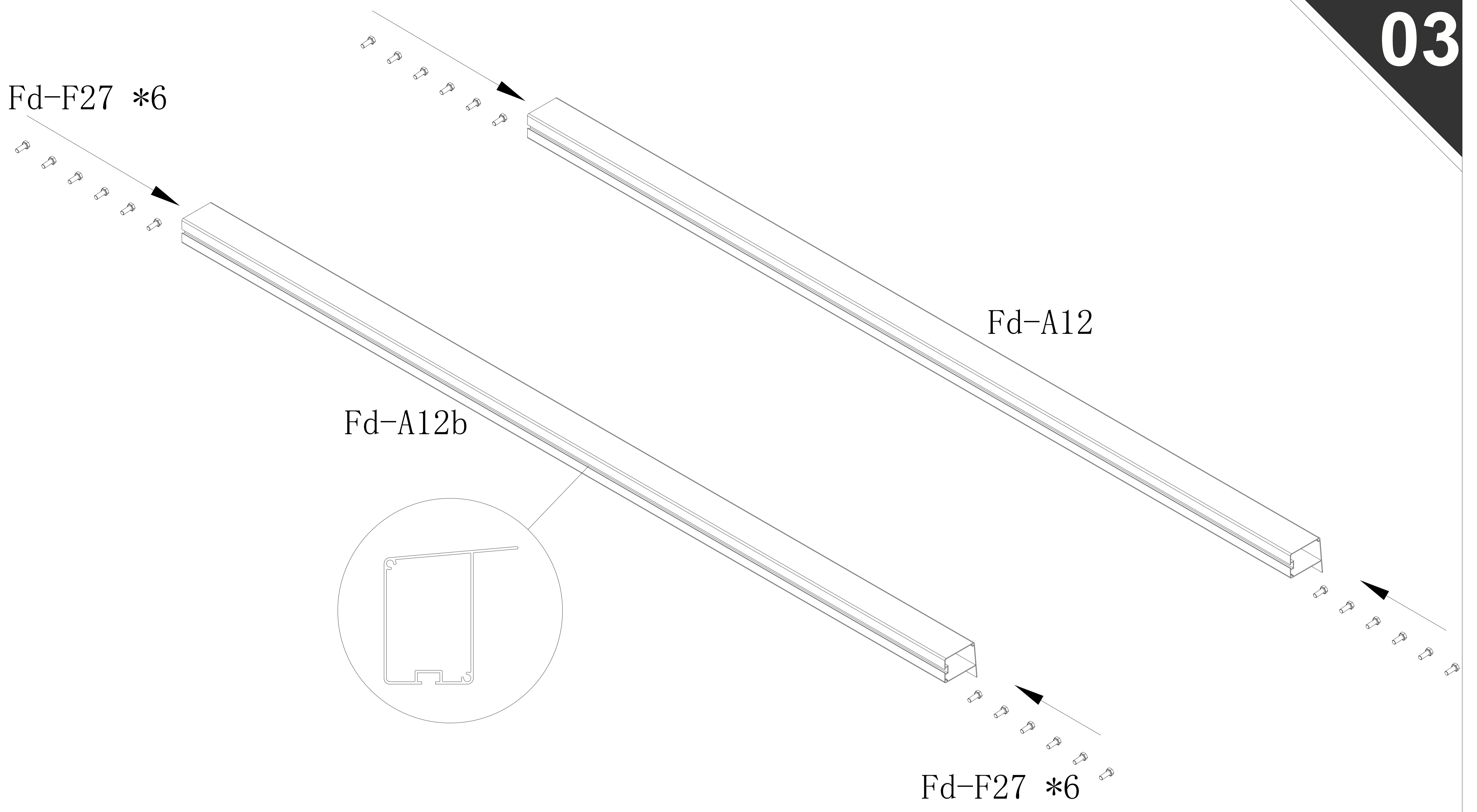
I + II

I

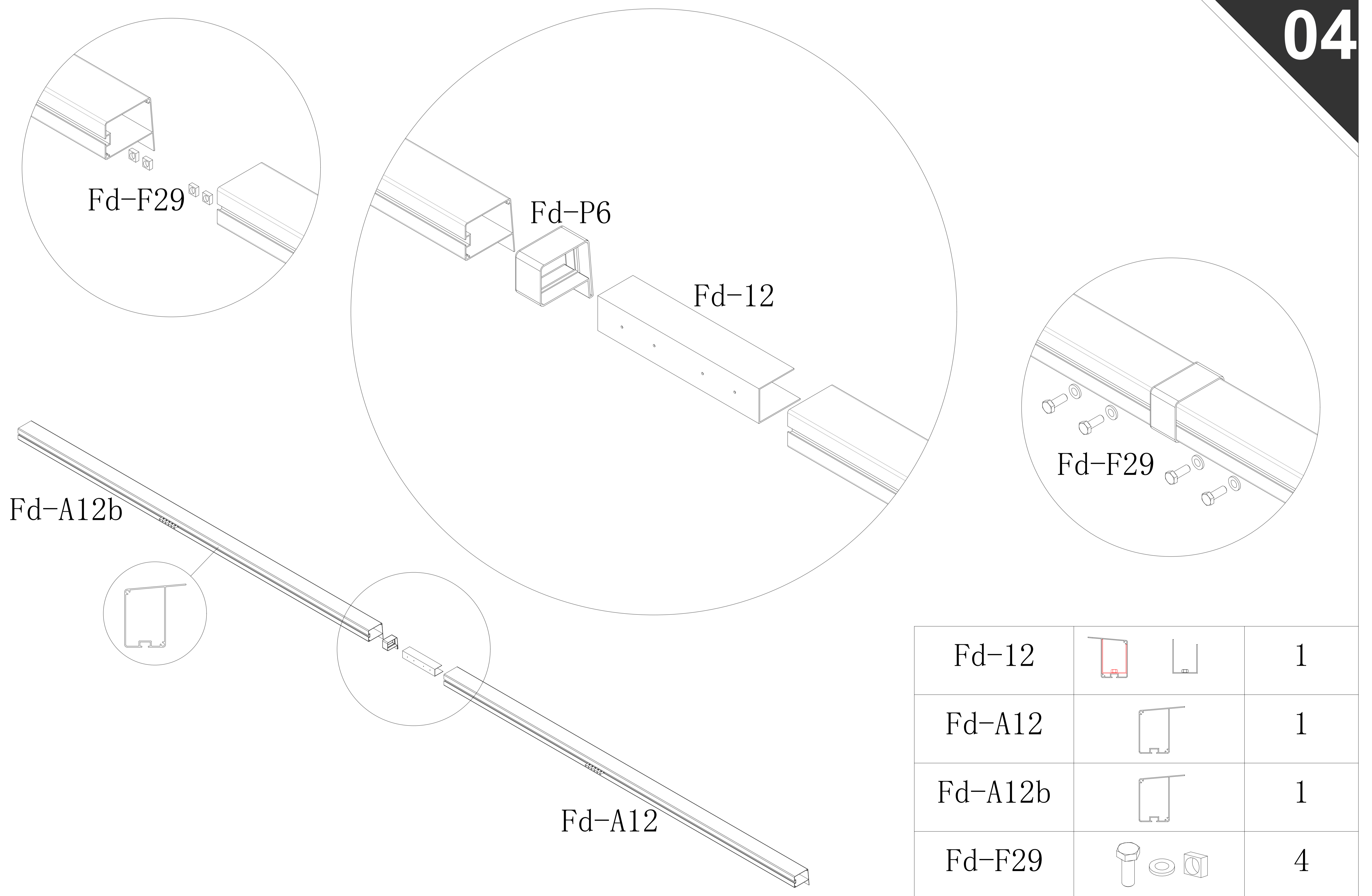
II



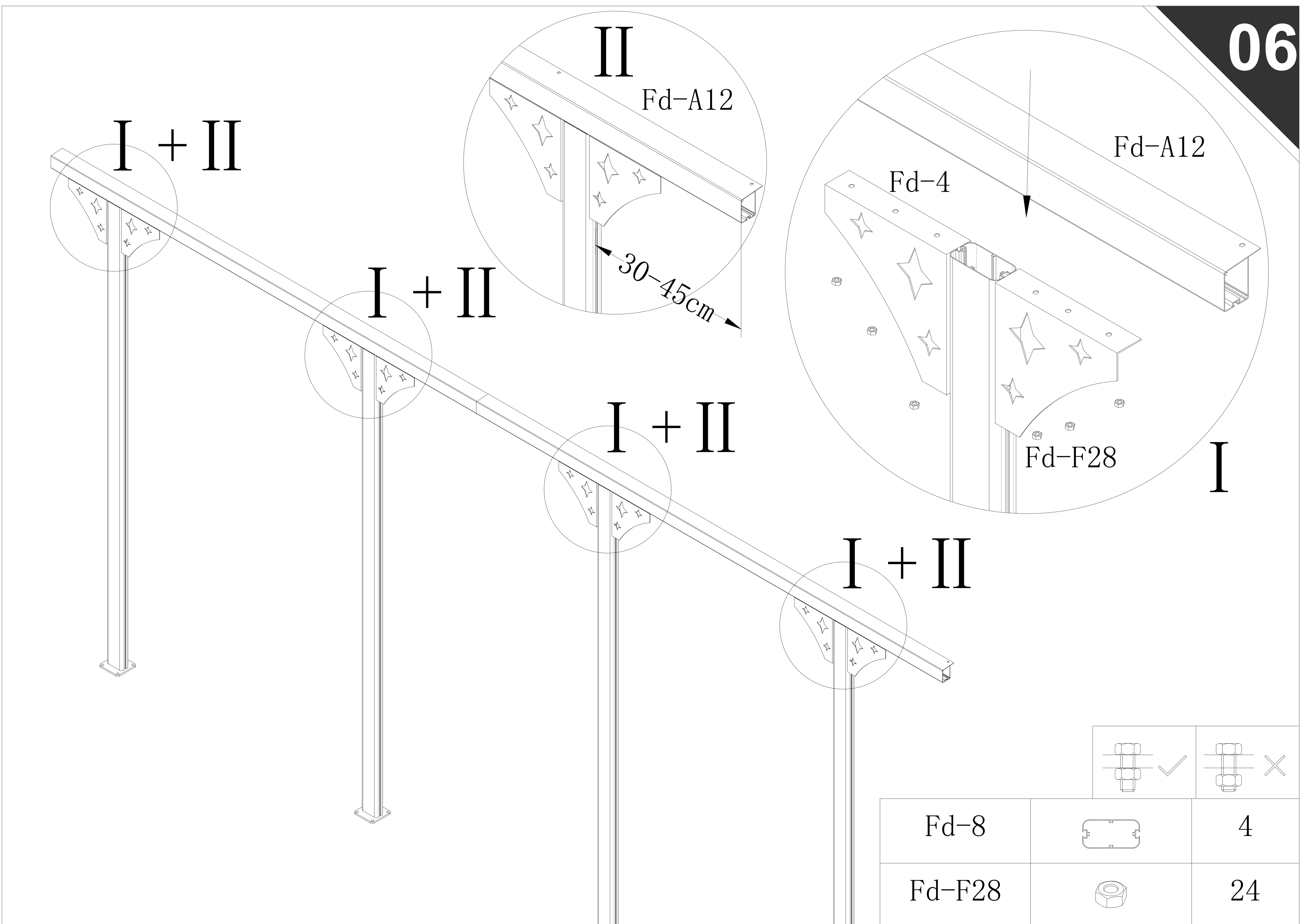
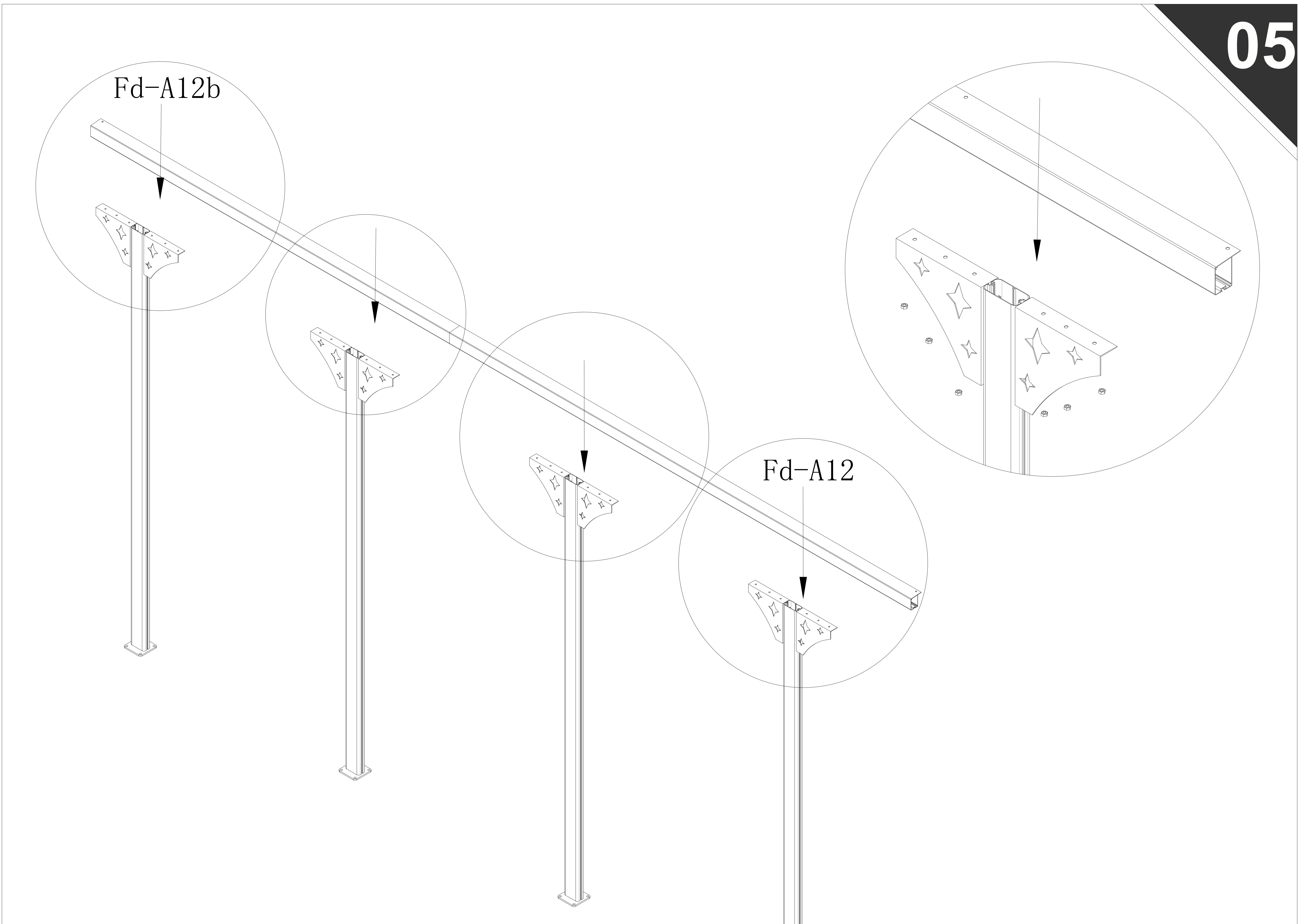
Fd-4		8
Fd-8		4
Fd-F27		24
Fd-F28		24



Fd-A12		1
Fd-A12b		1
Fd-F27		24



Fd-12		1
Fd-A12		1
Fd-A12b		1
Fd-F29		4
Fd-P6		1



Fd-8		4
Fd-F28		24

I

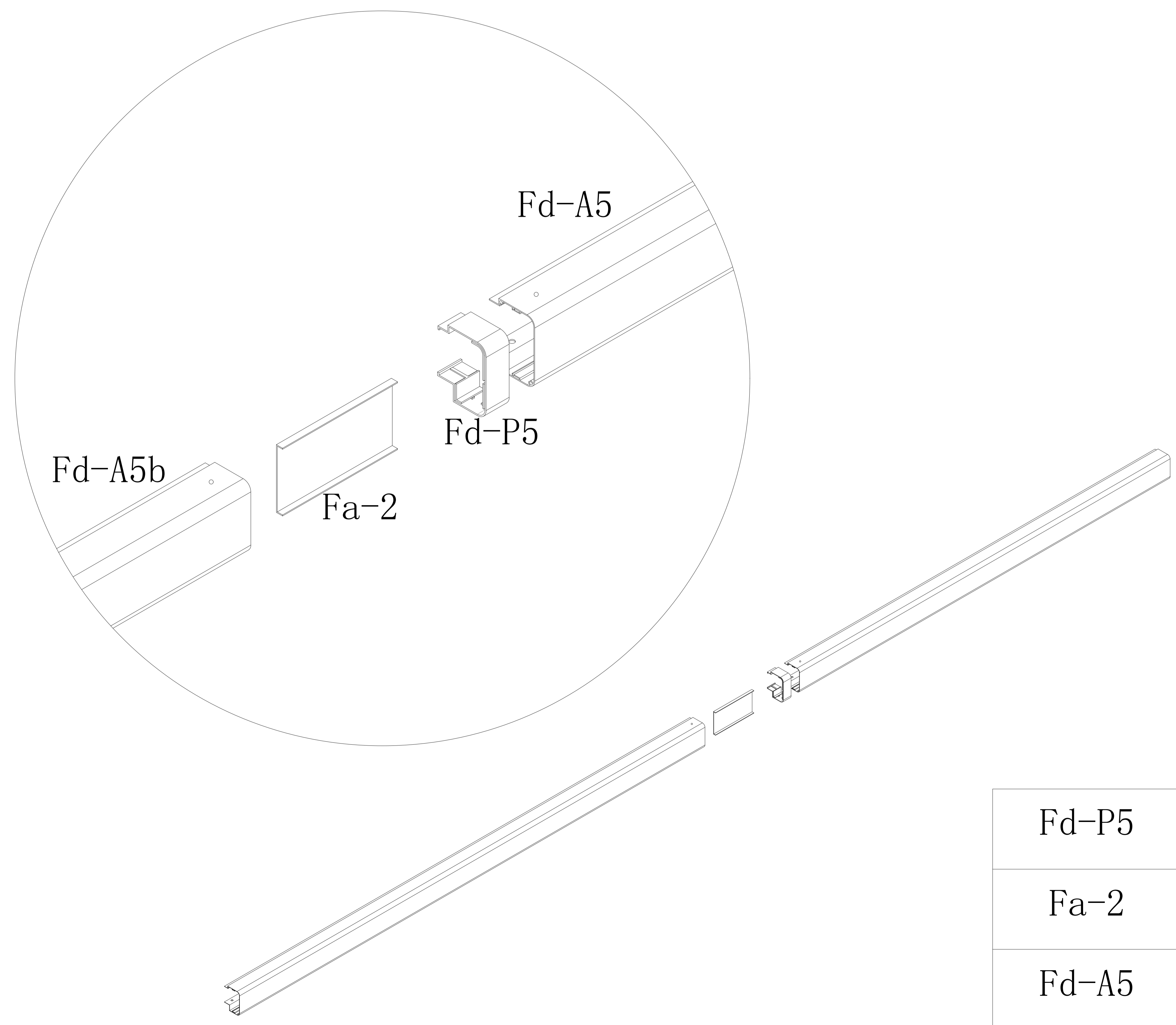


I + II

Fd-F35

II

Fd-P1L		1
Fd-P1R		1
Fd-F35		4



Fd-A5

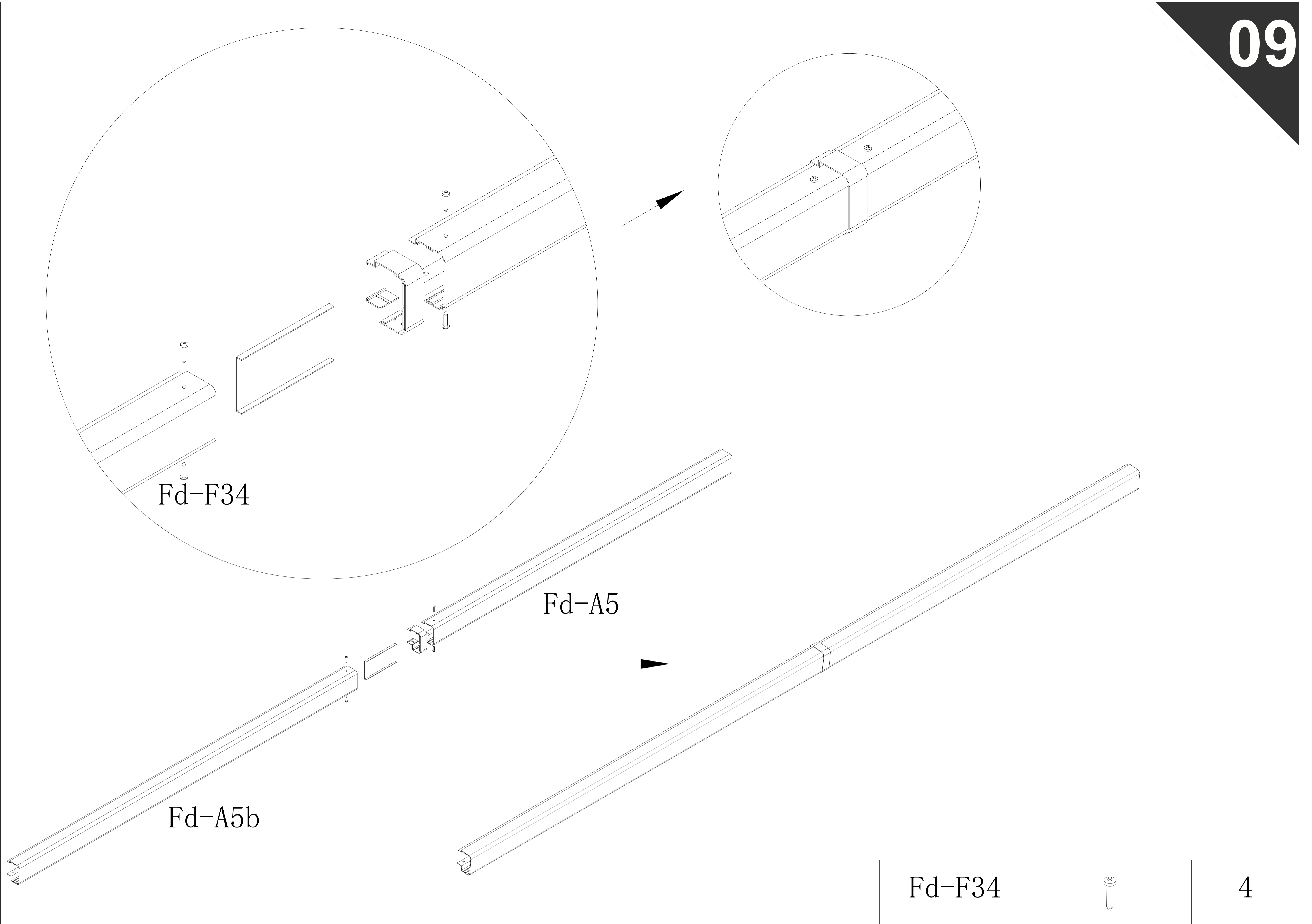
Fd-A5b

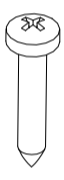
Fa-2

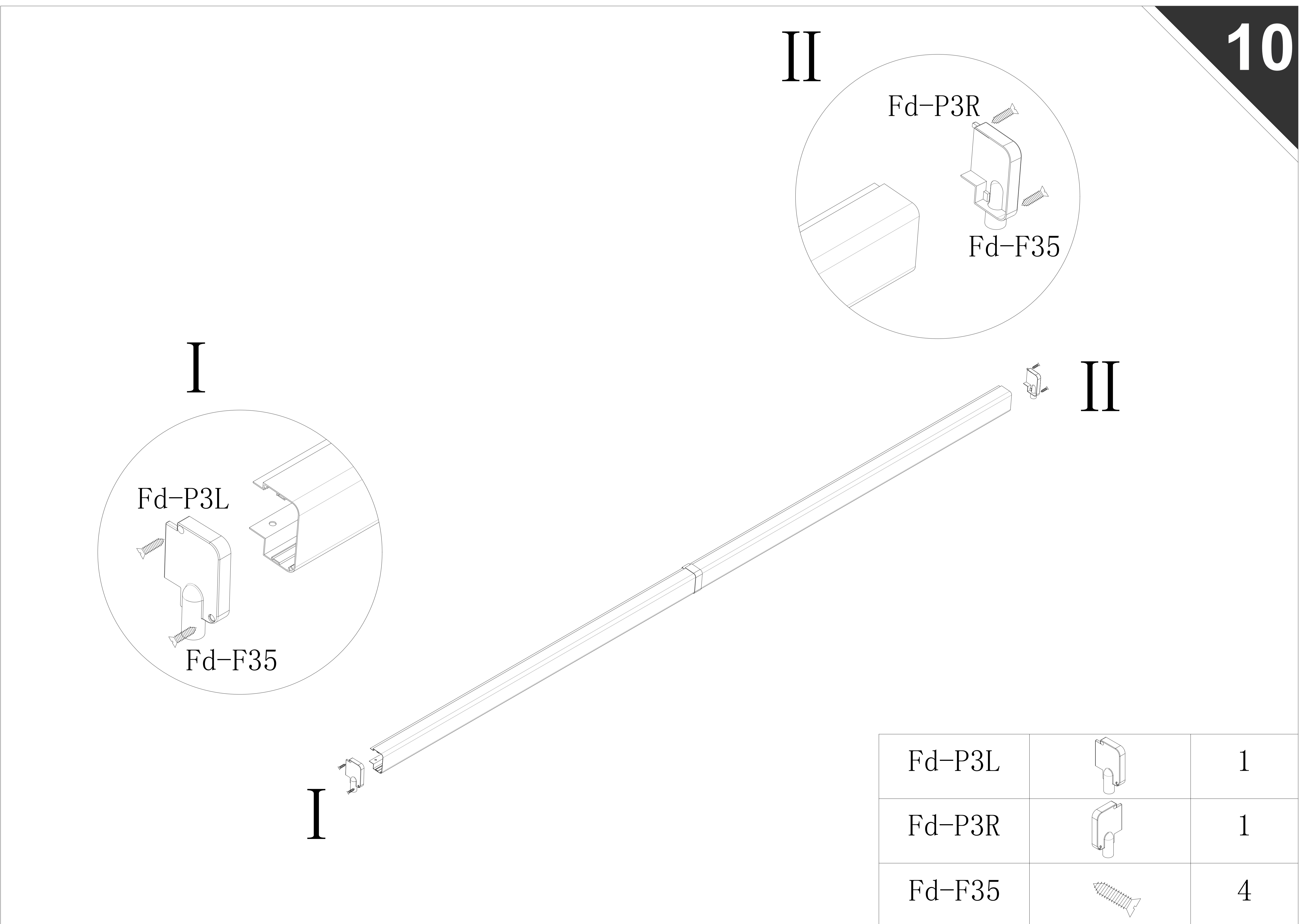
Fd-P5

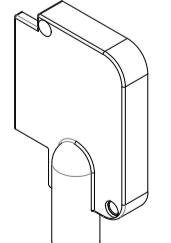
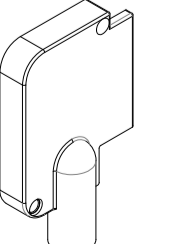
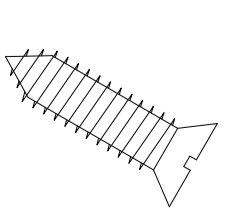
Fd-P5		1
Fa-2		1
Fd-A5		1
Fd-A5b		1

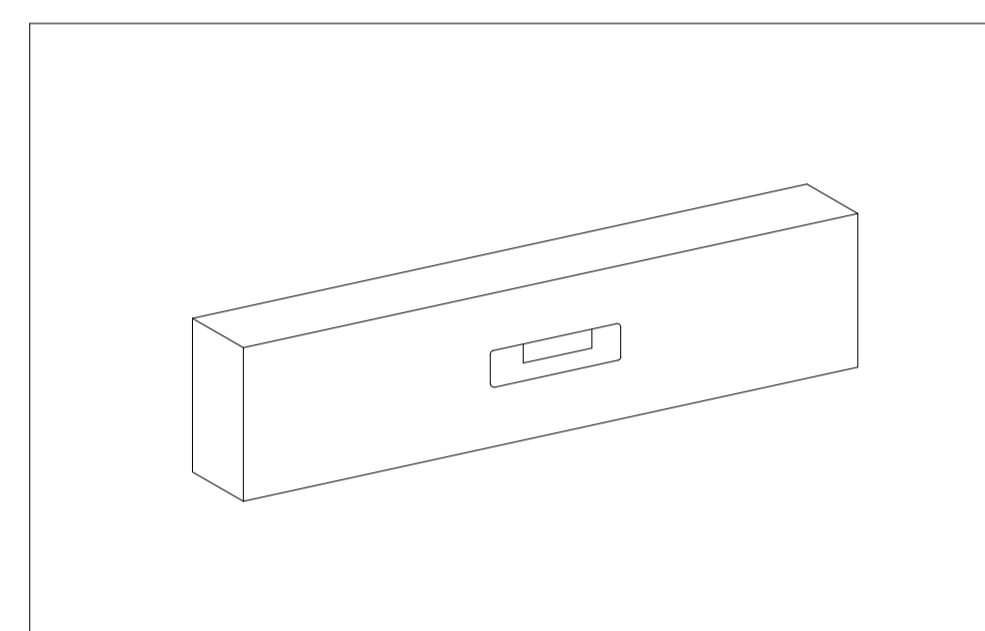
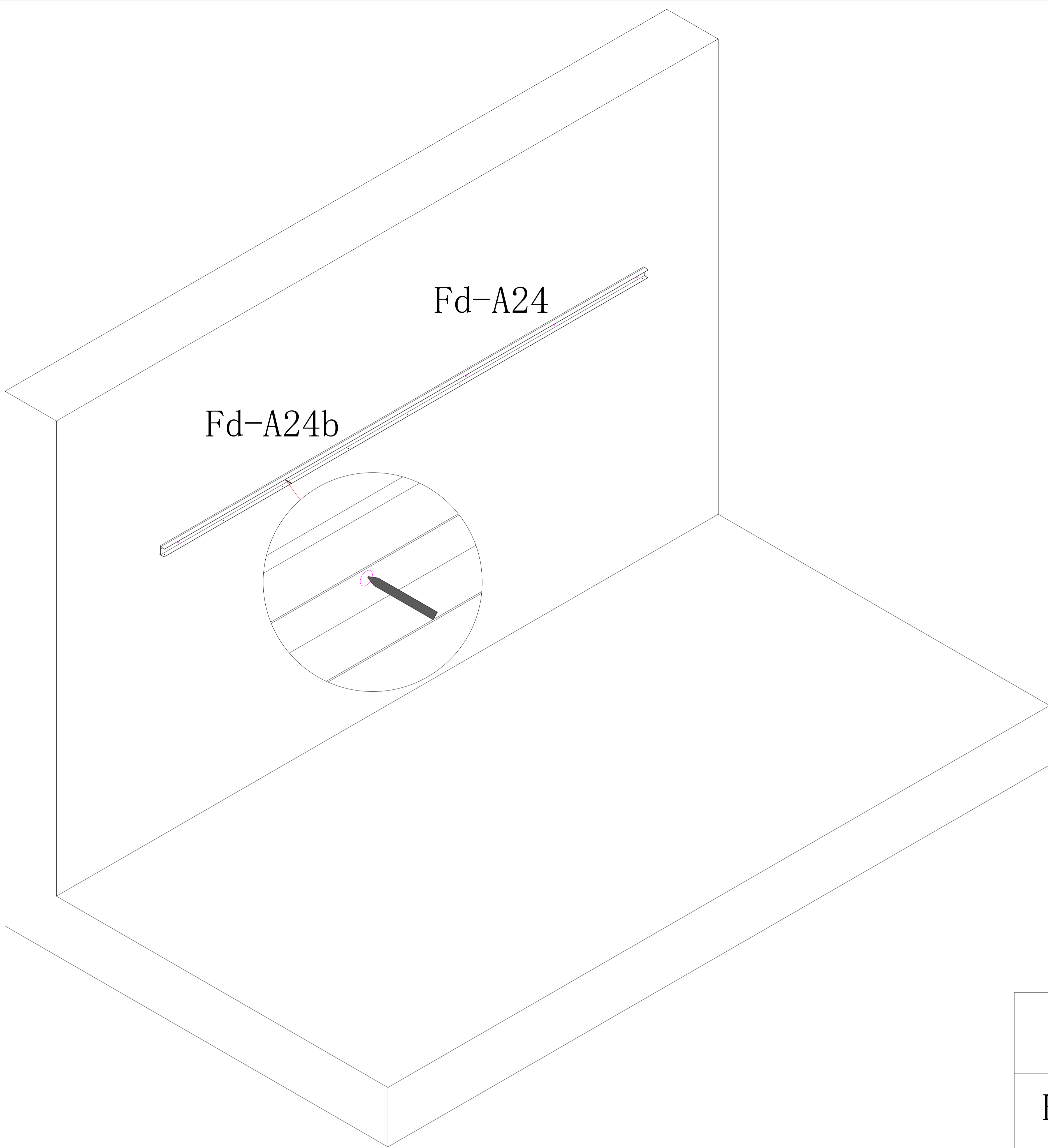




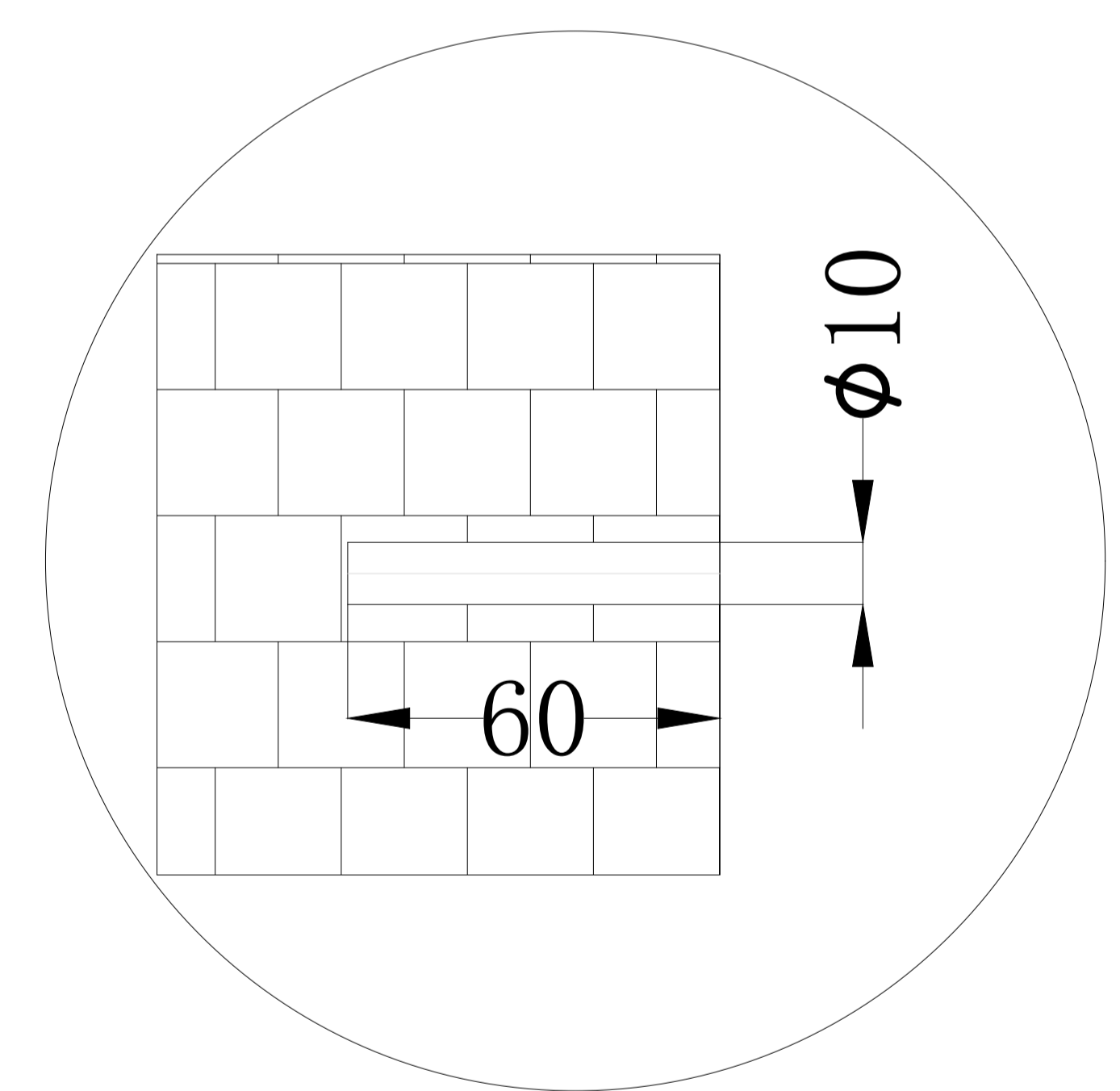
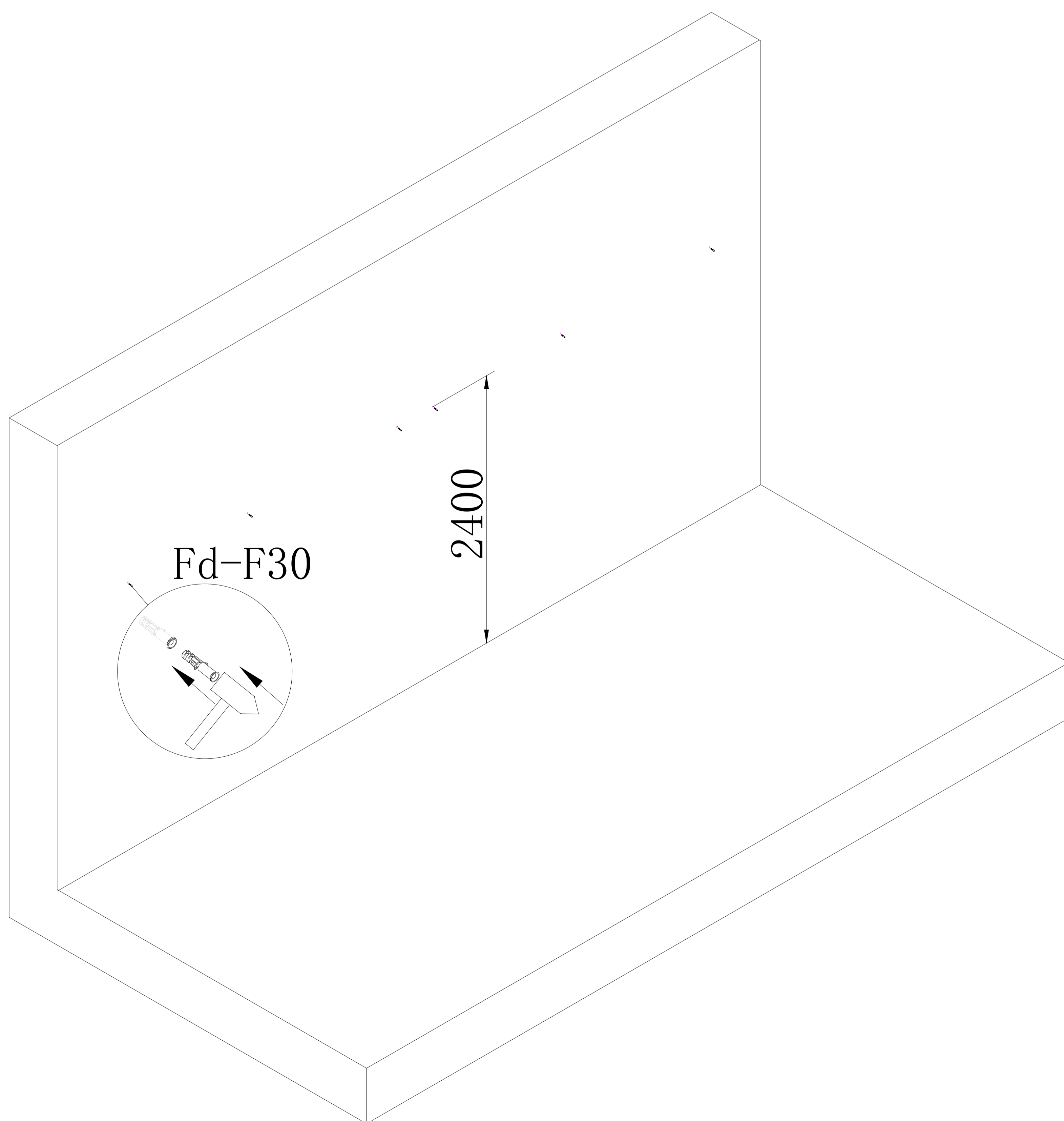
Fd-F34		4
--------	---	---



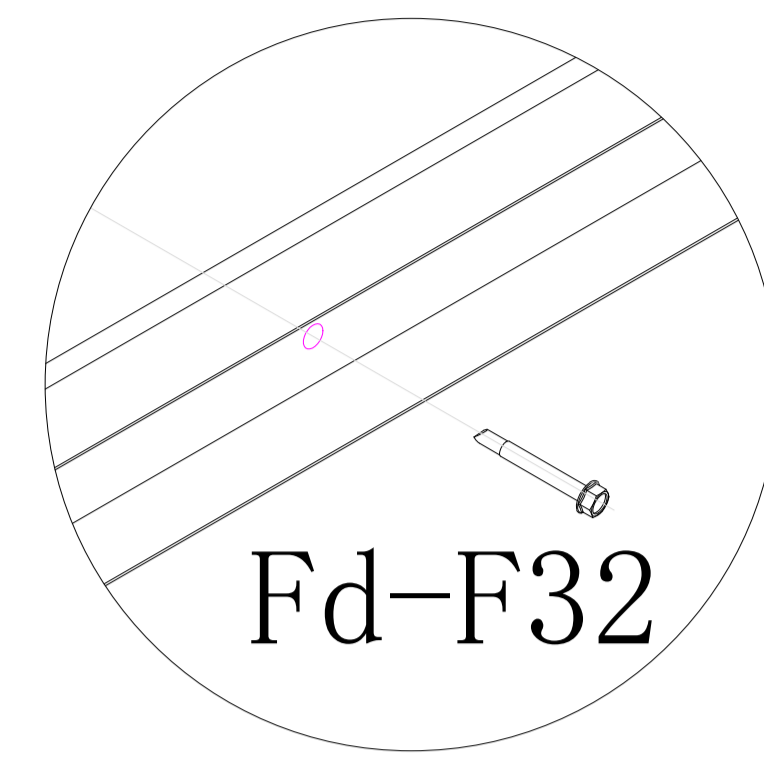
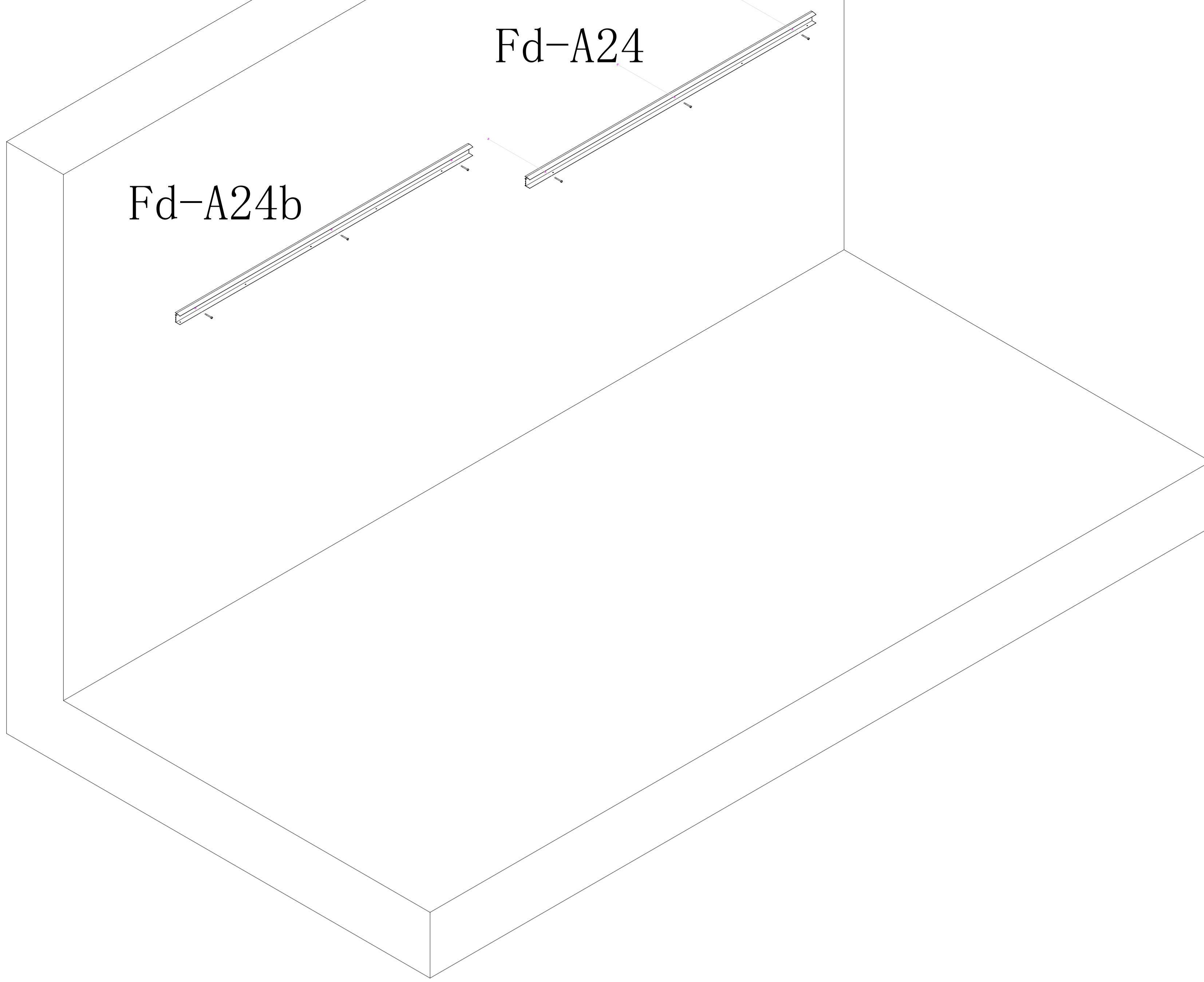
Fd-P3L		1
Fd-P3R		1
Fd-F35		4

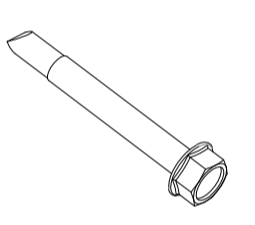


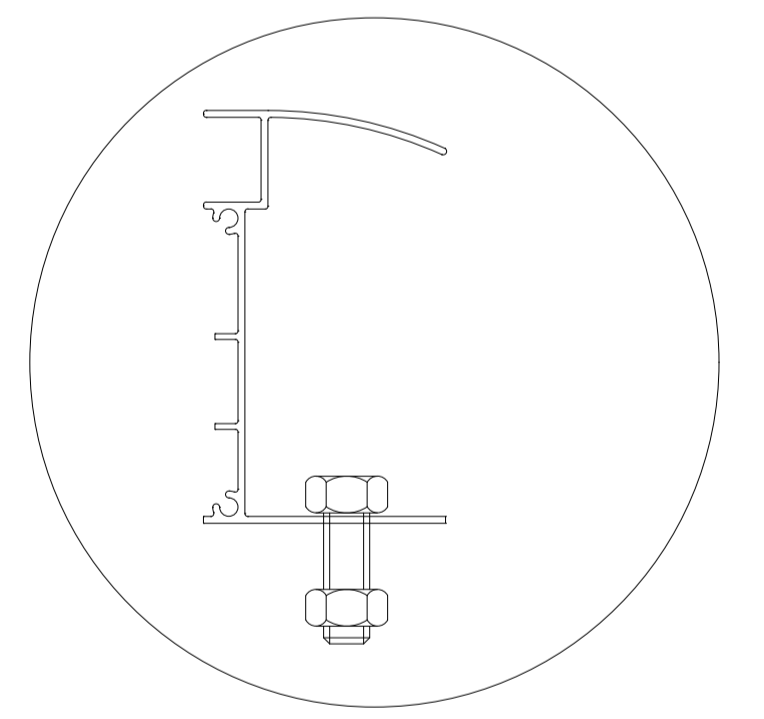
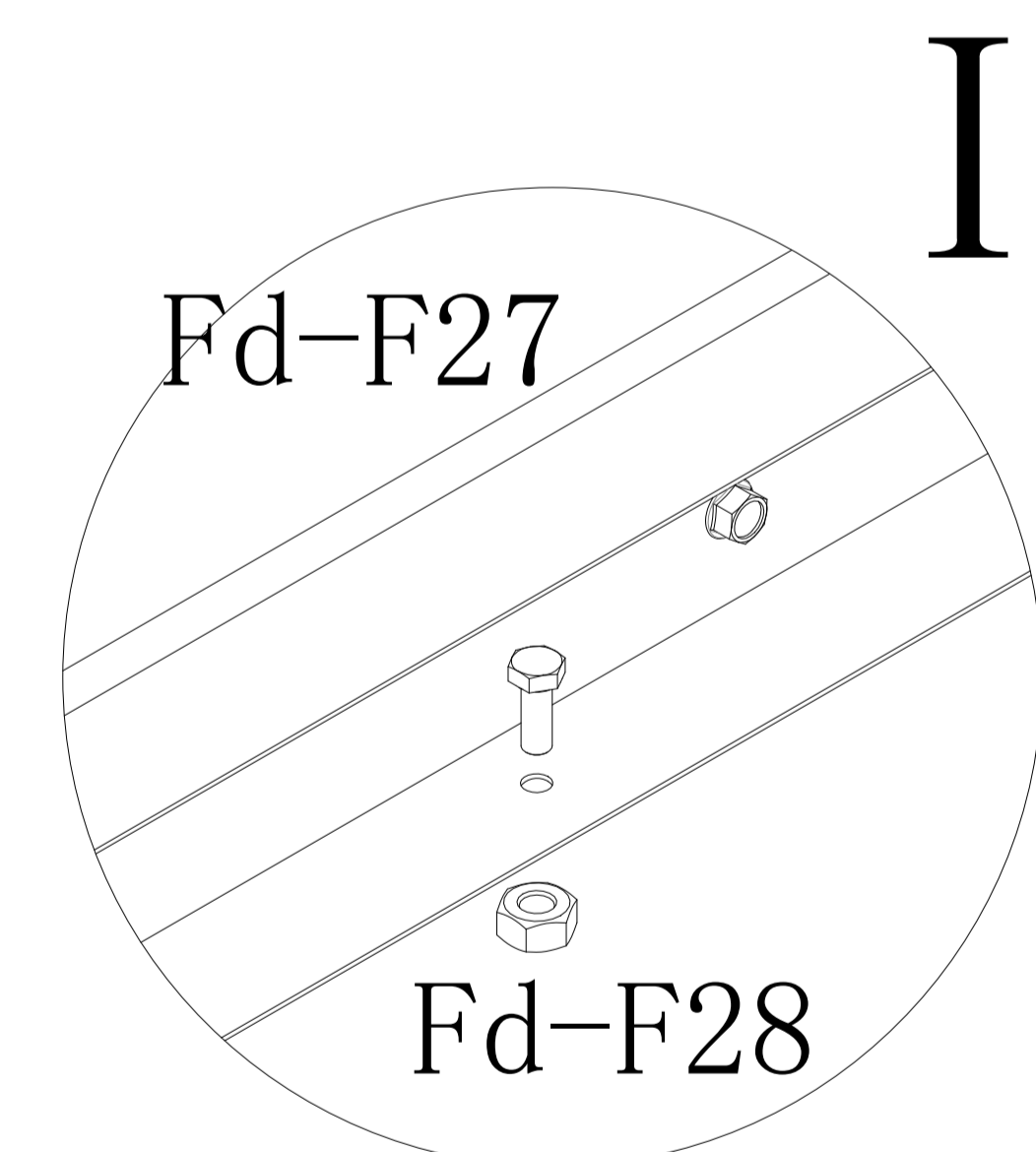
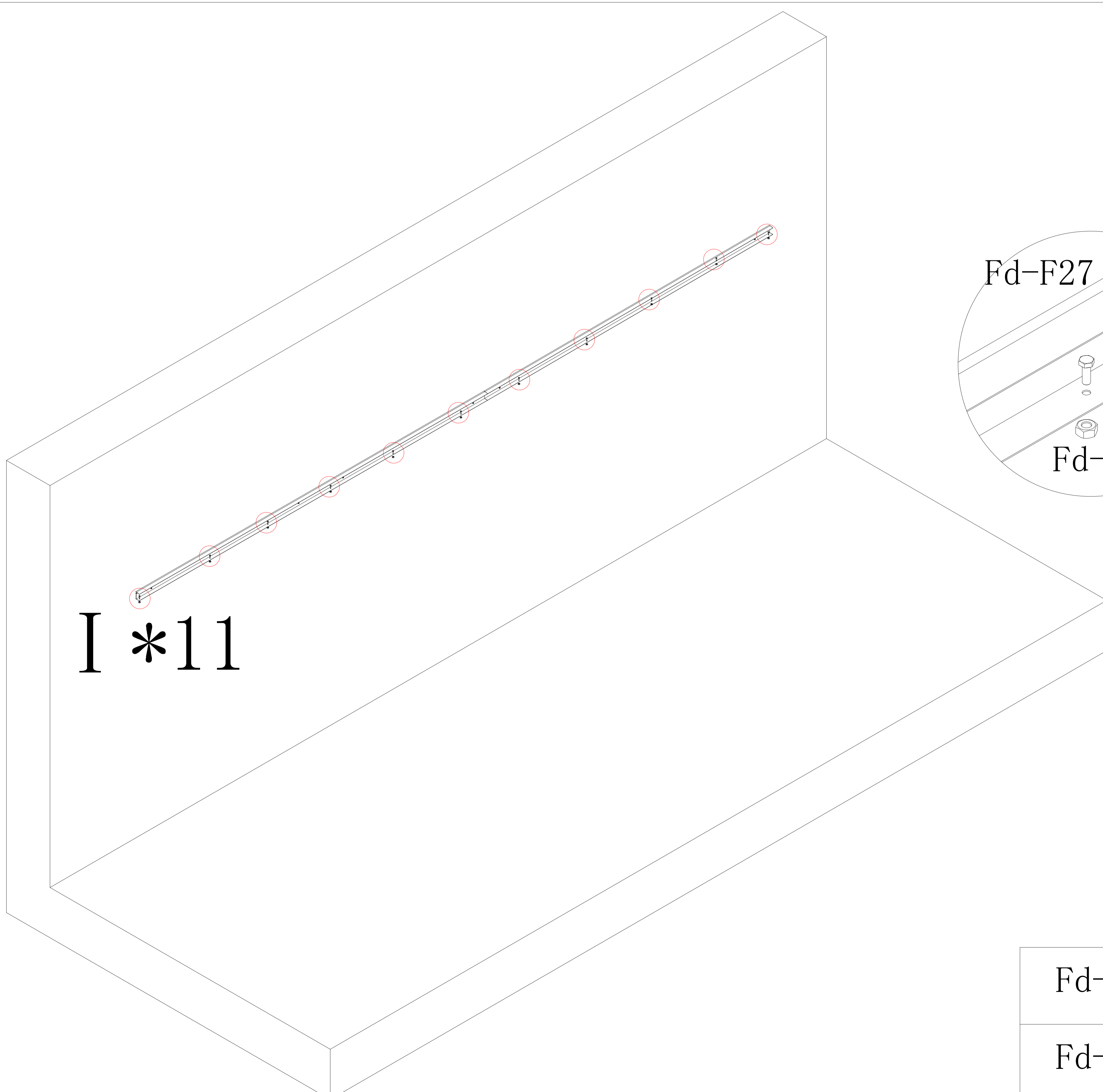
Fd-A24		1
Fd-A24b		1

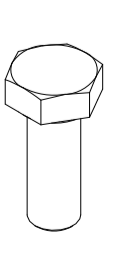
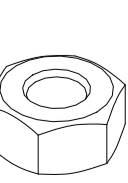


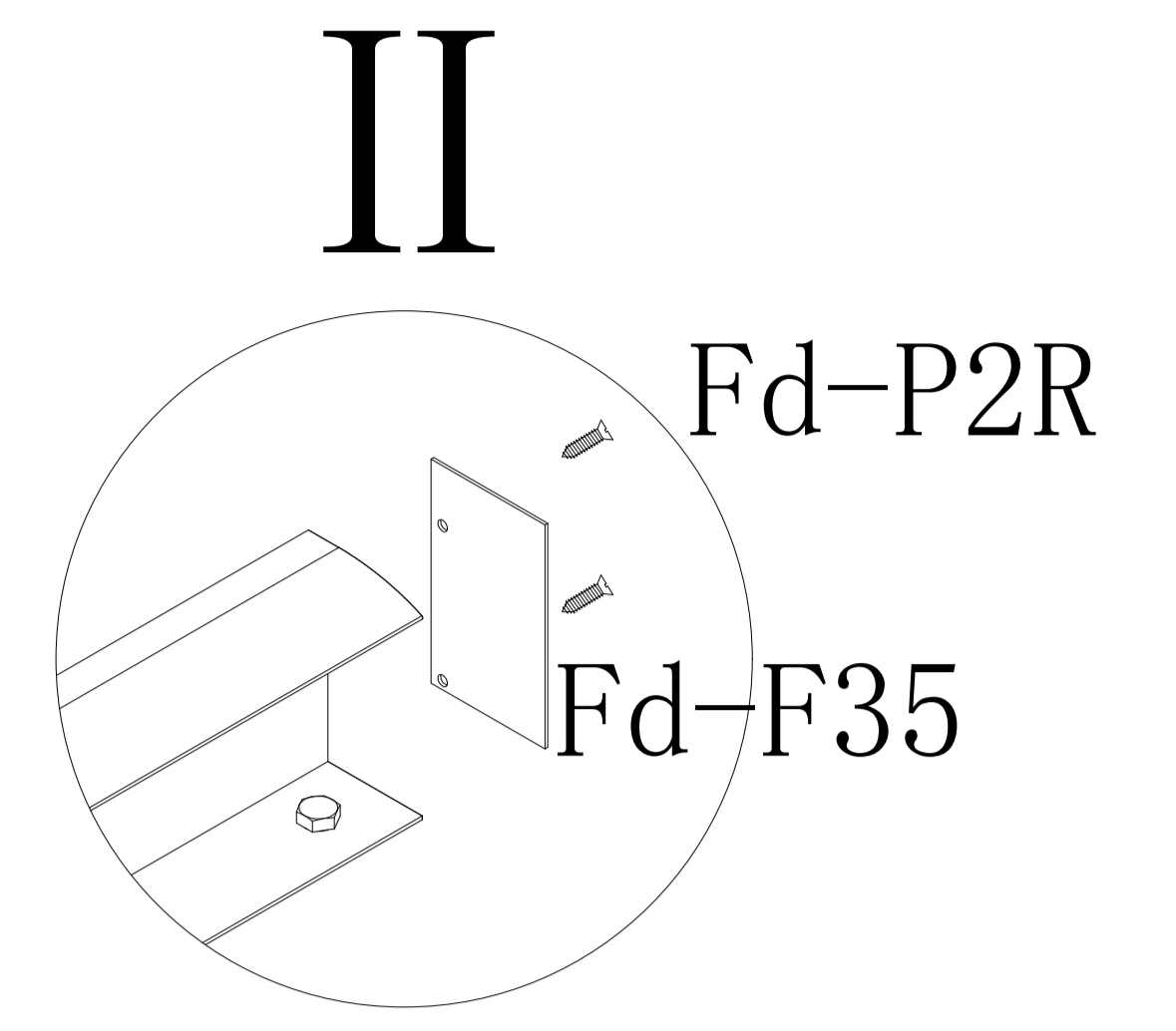
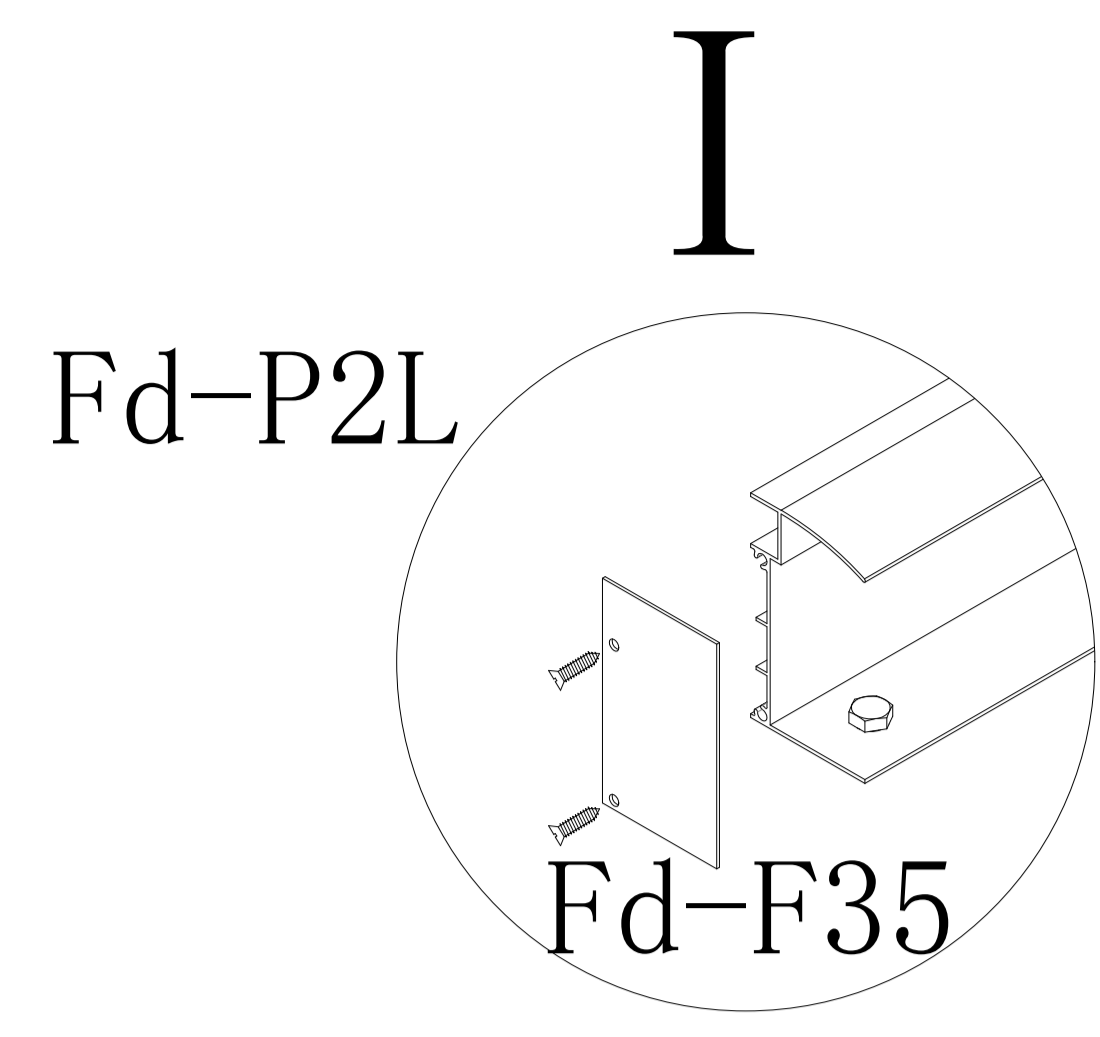
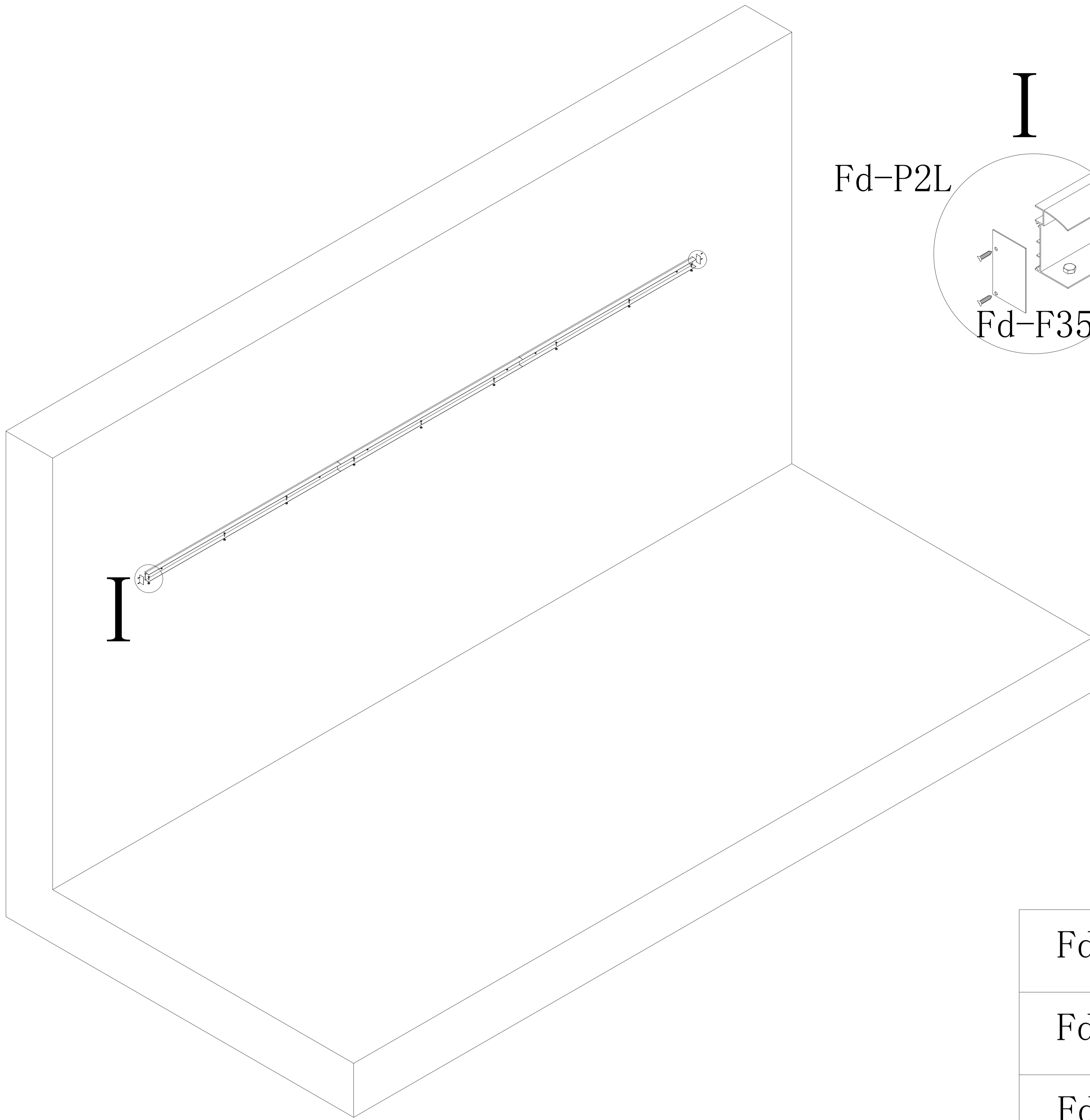
Fd-F30		6
--------	--	---



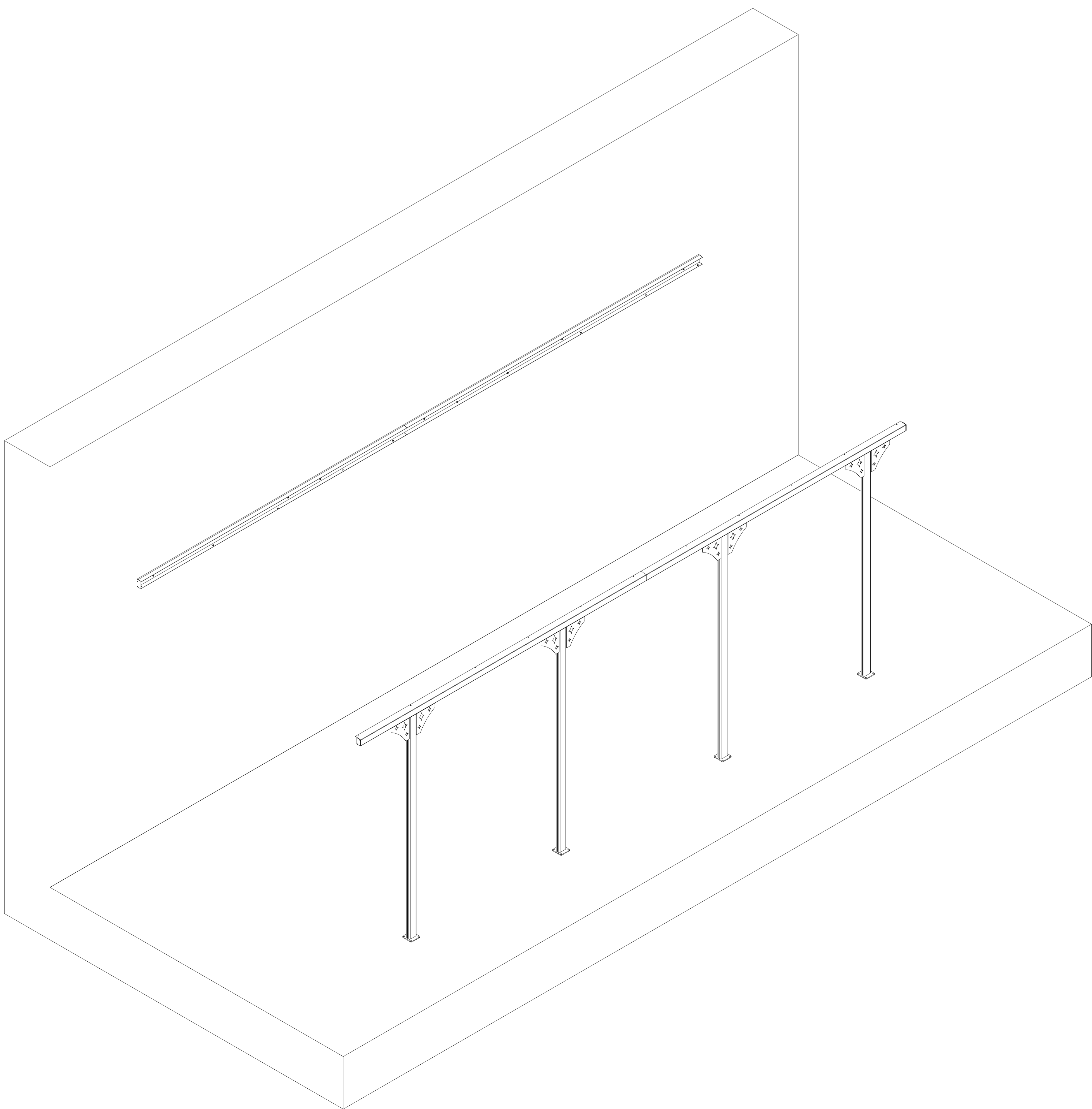
Fd-F32		6
--------	---	---

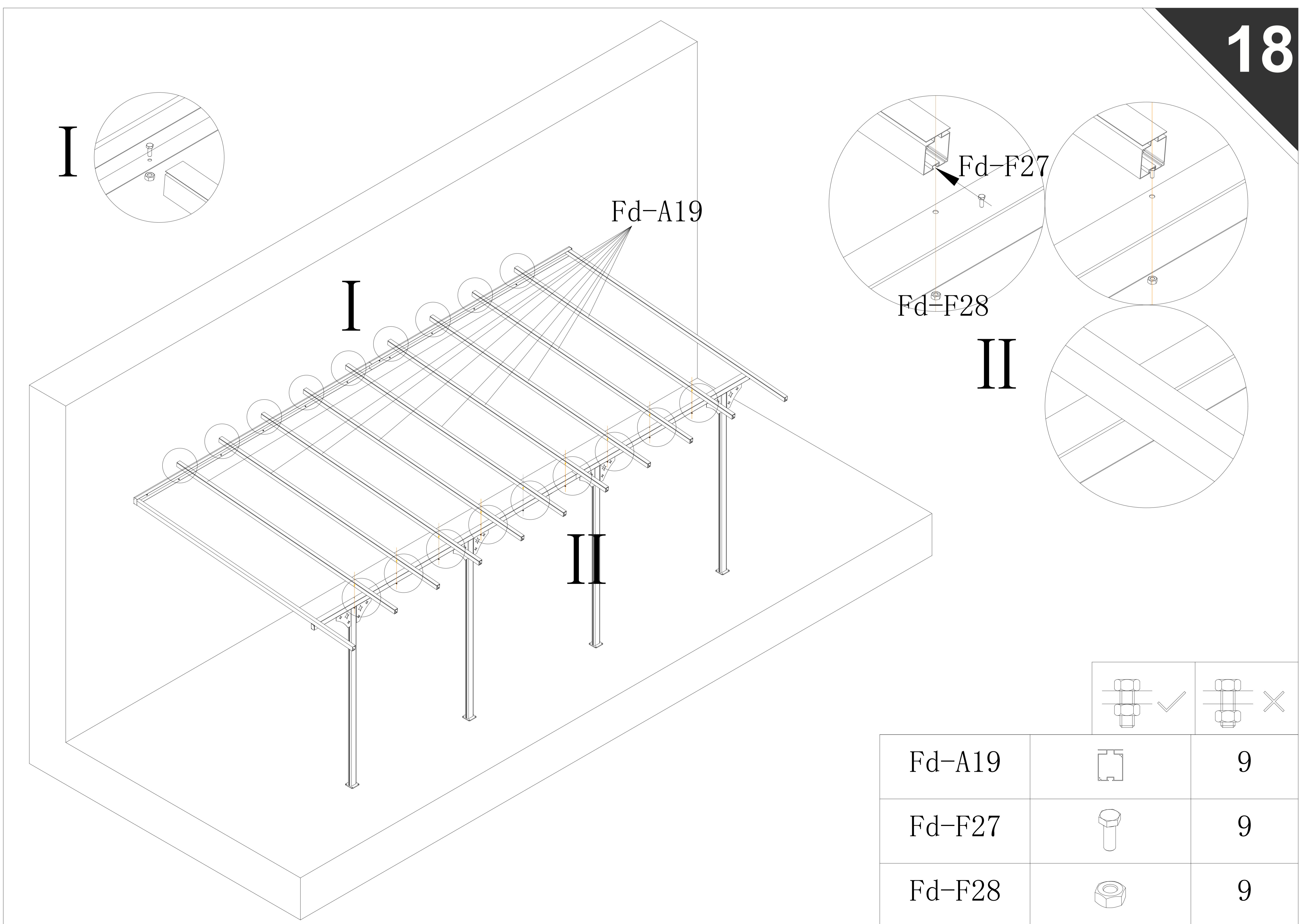
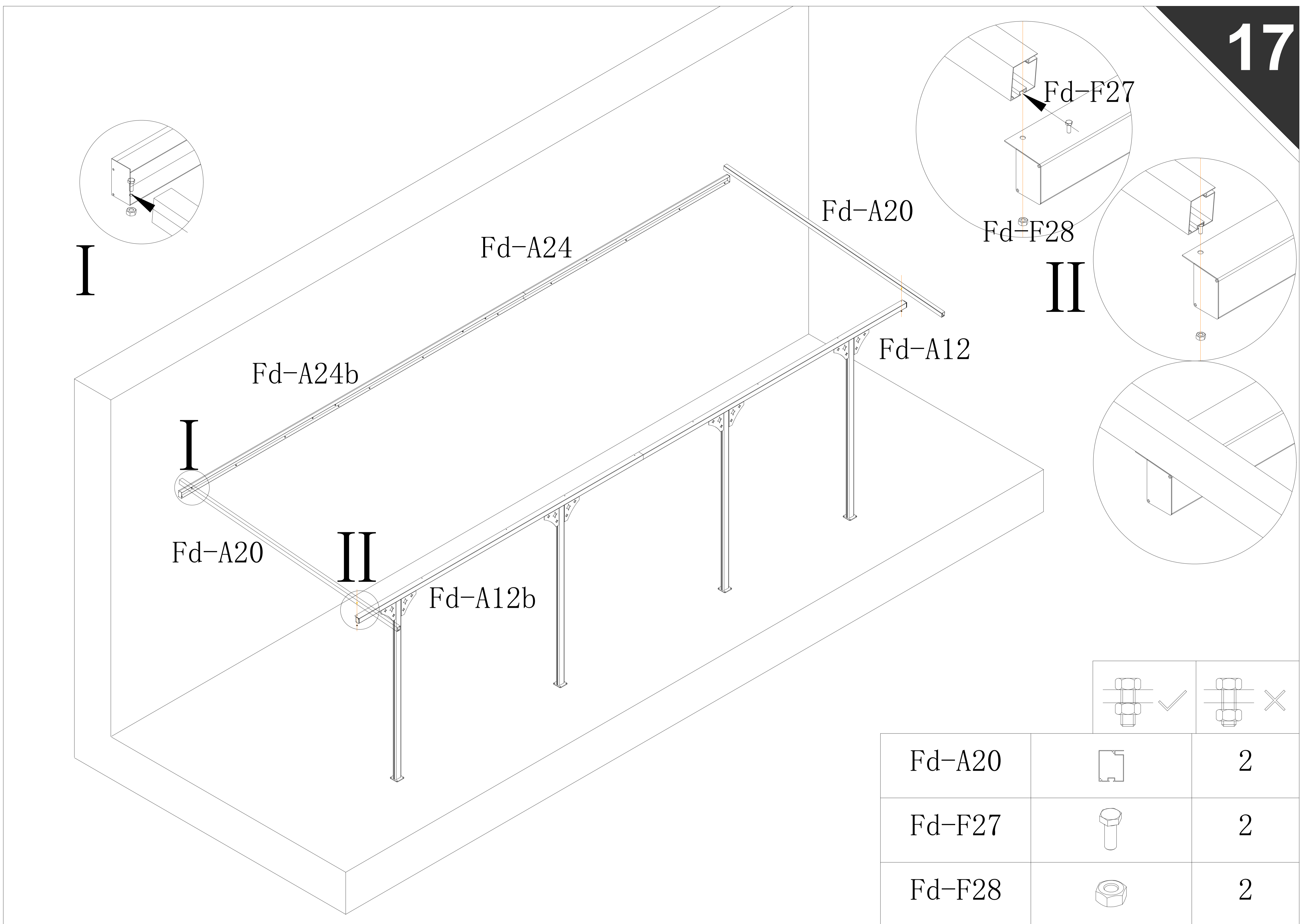


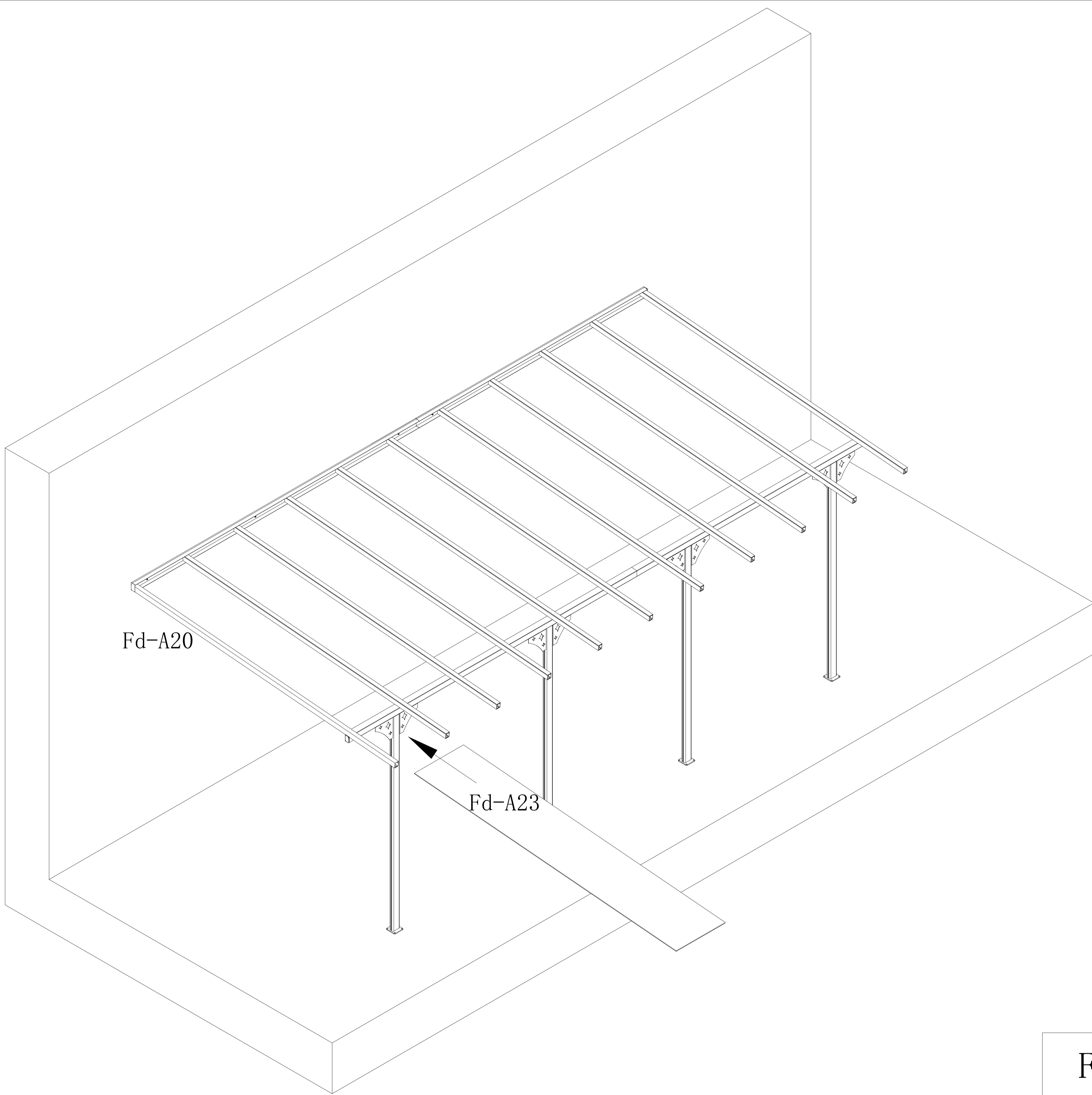
Fd-F27		11
Fd-F28		11



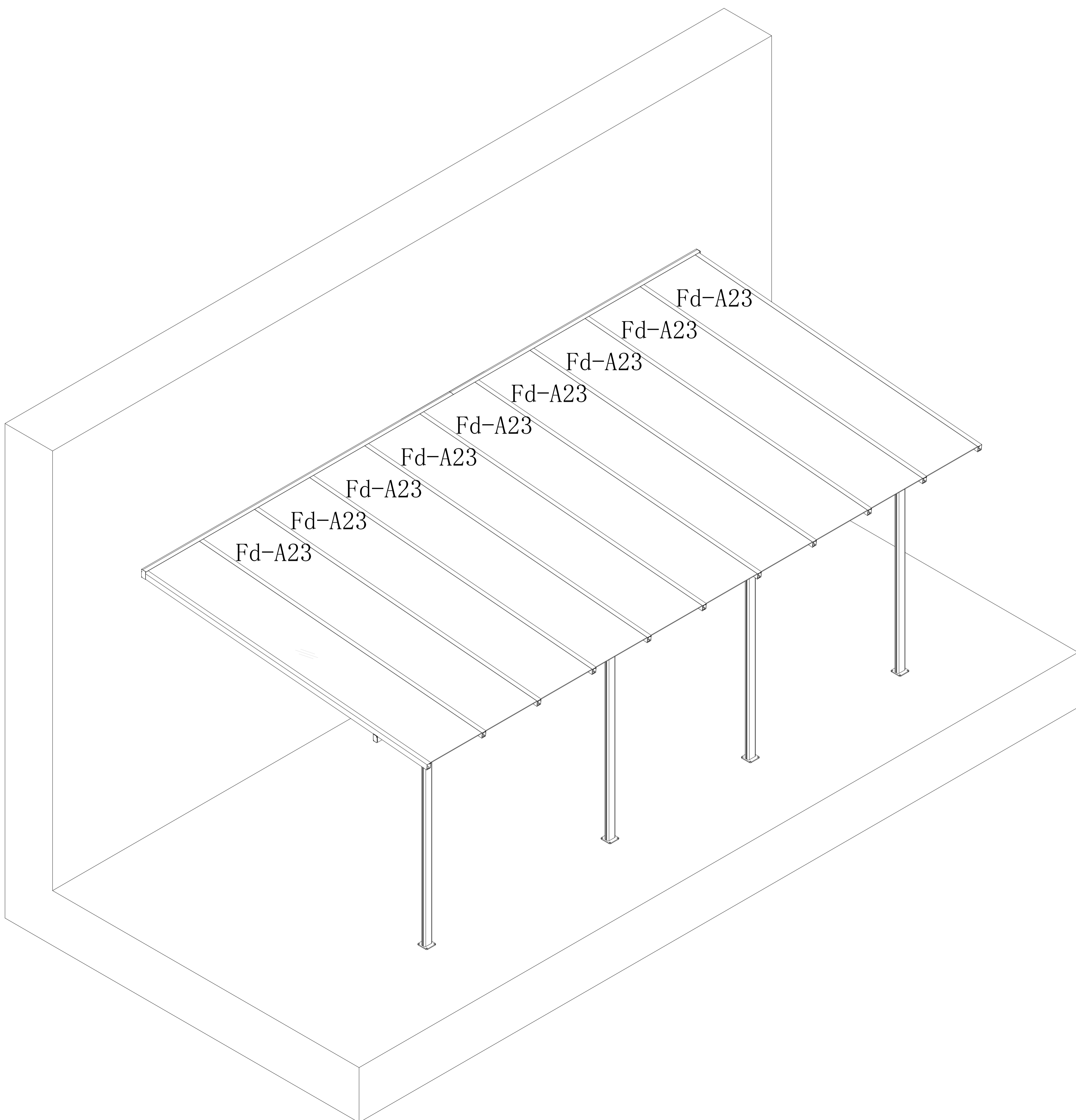
Fd-P2L		1
Fd-P2R		1
Fd-F35		4



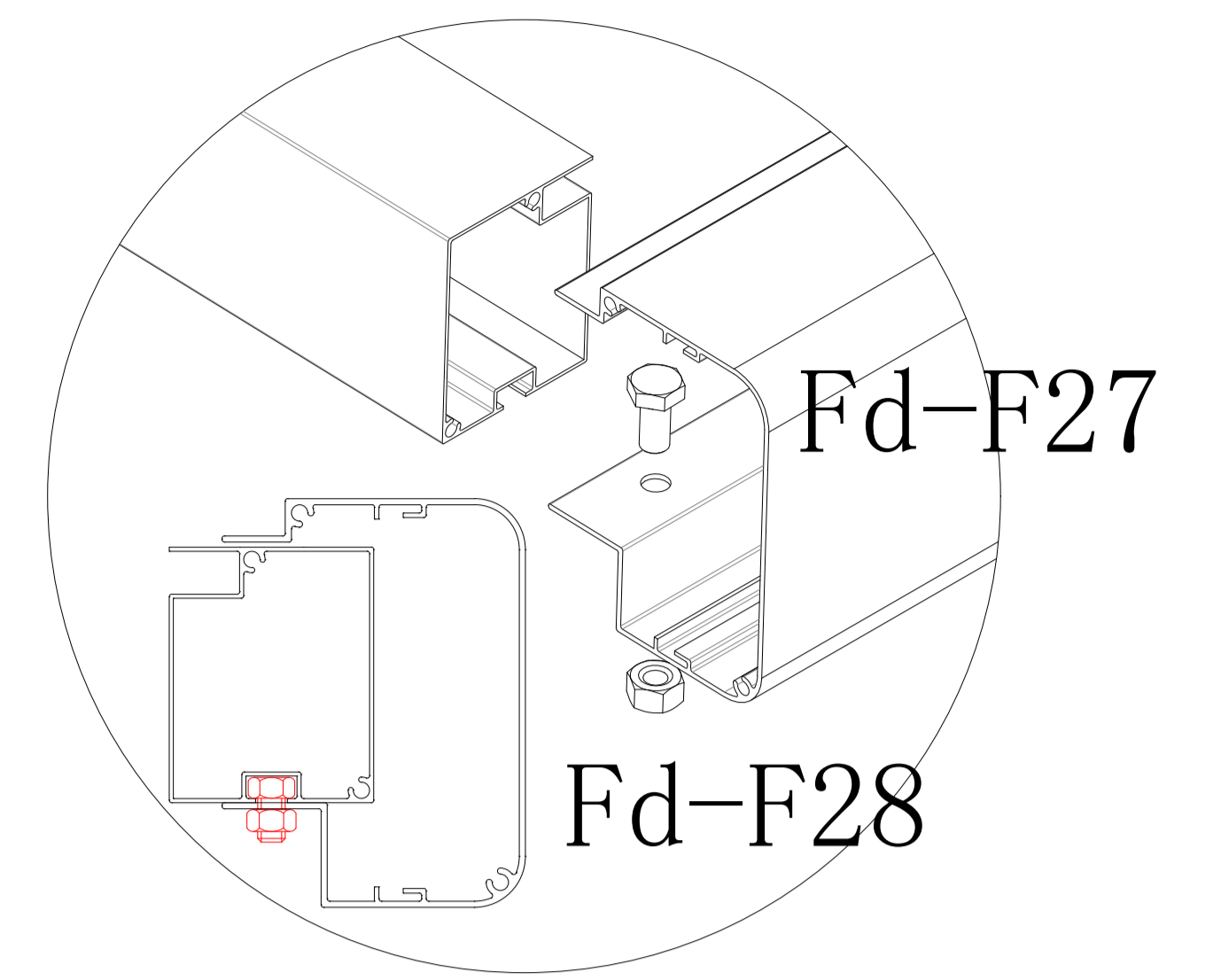
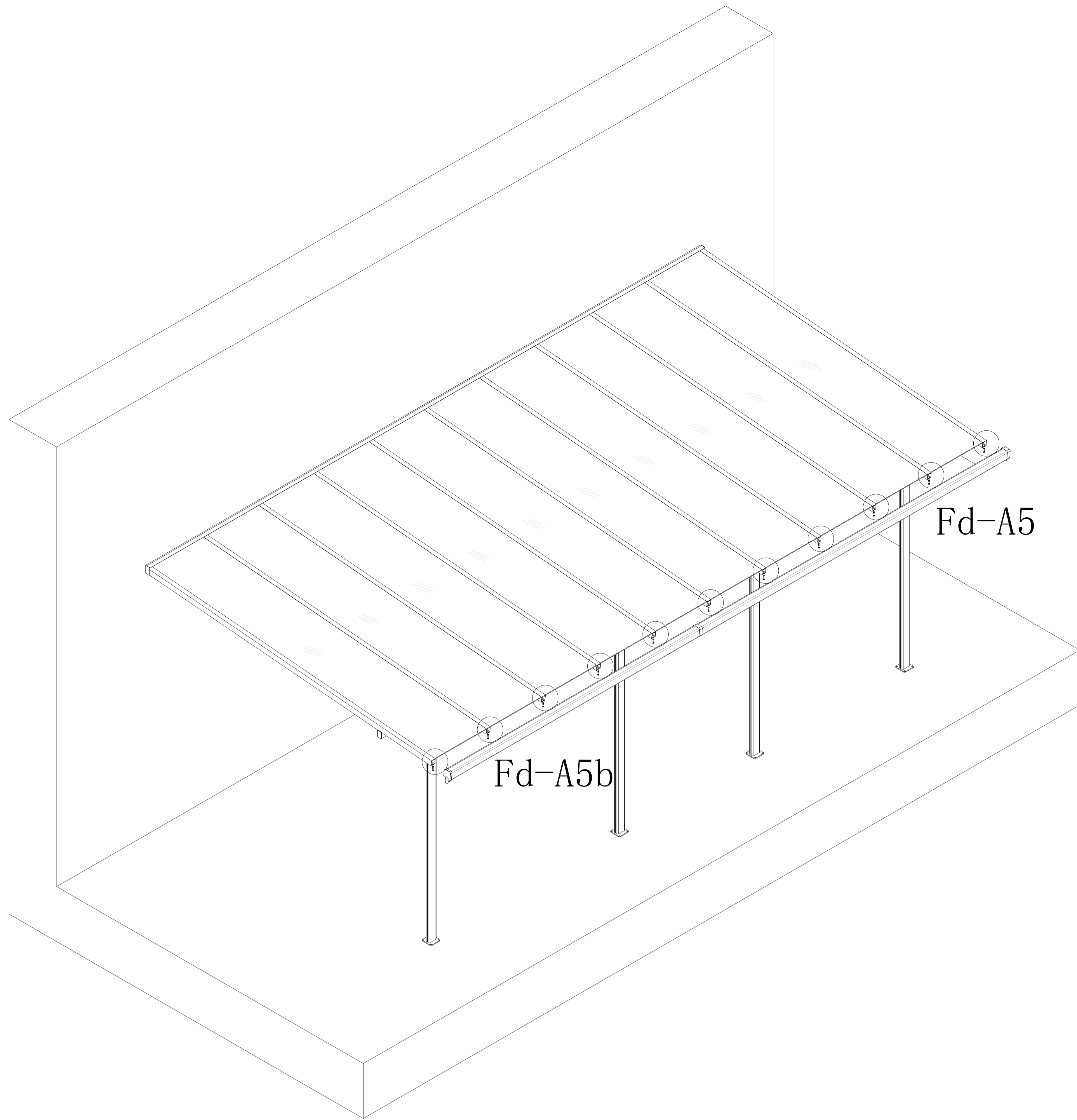




Fd-A23		1
--------	--	---



Fd-A23		9
--------	--	---



Fd-A5		1
Fd-A5b		1
Fd-F27		11
Fd-F28		11

