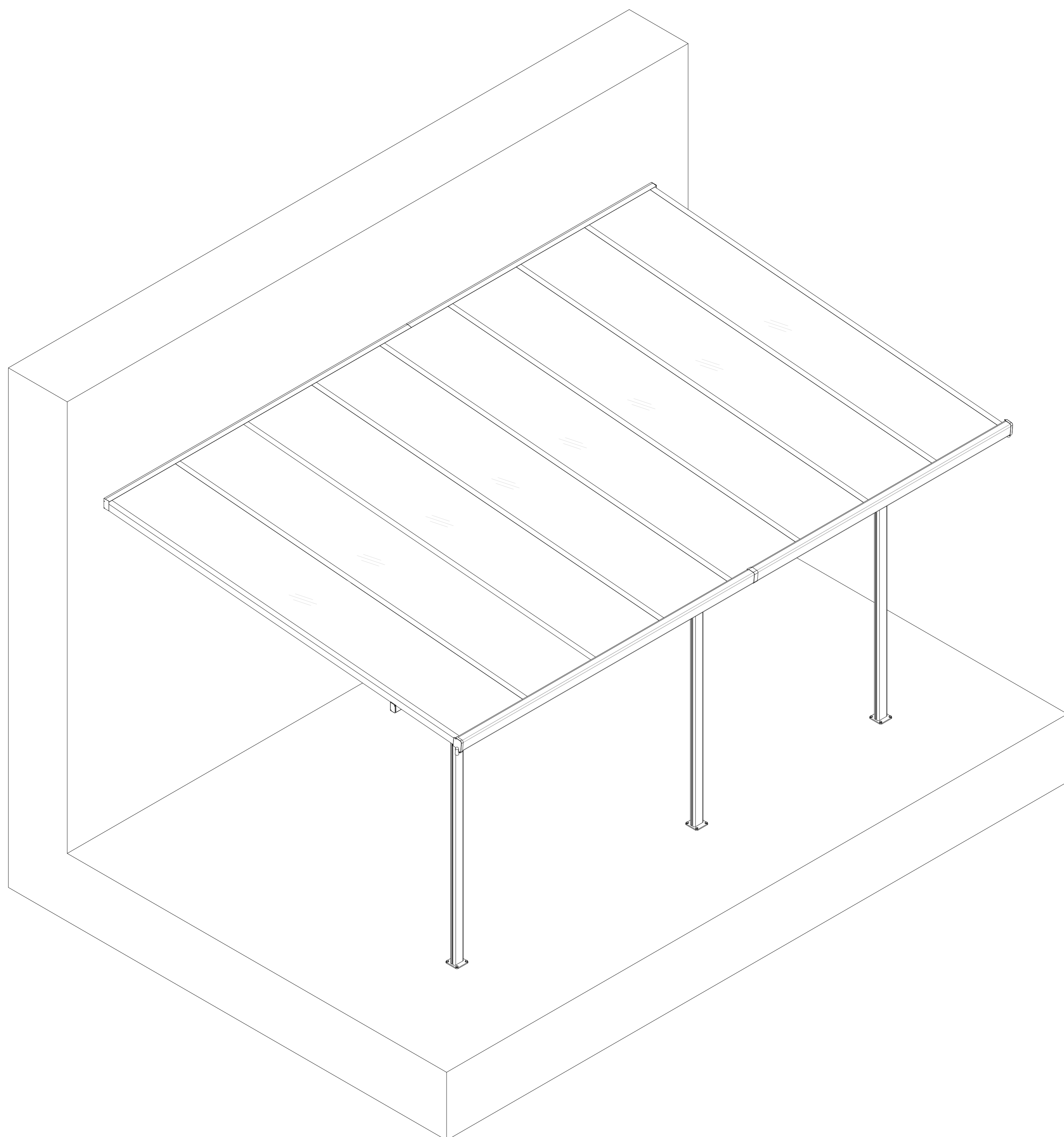
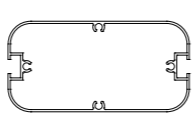
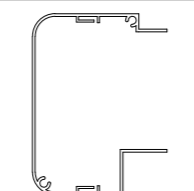
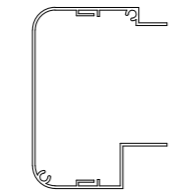
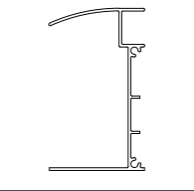
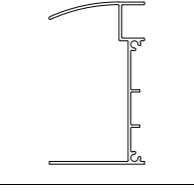
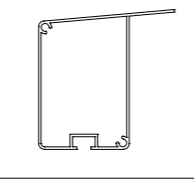
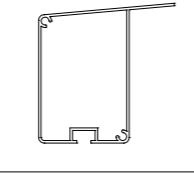
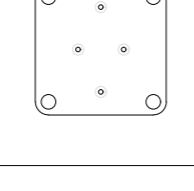
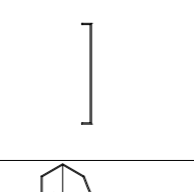
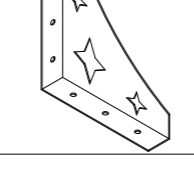

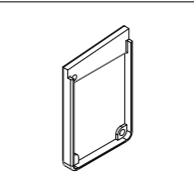
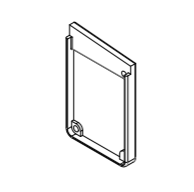
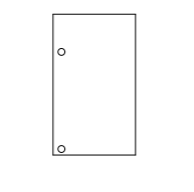
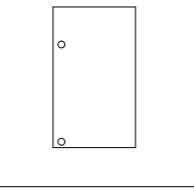
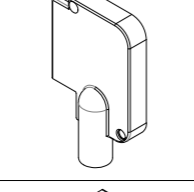
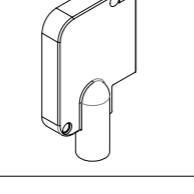
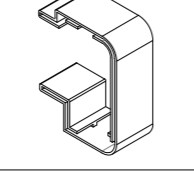
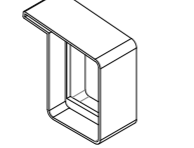
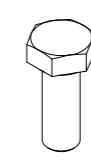
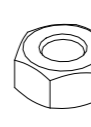
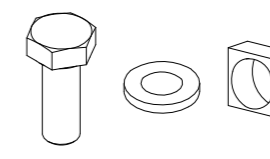
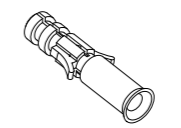

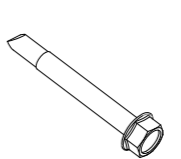


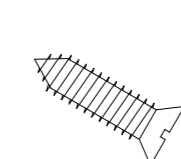
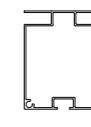
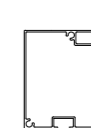



ALUMINIUM PATIO COVER 5X3M

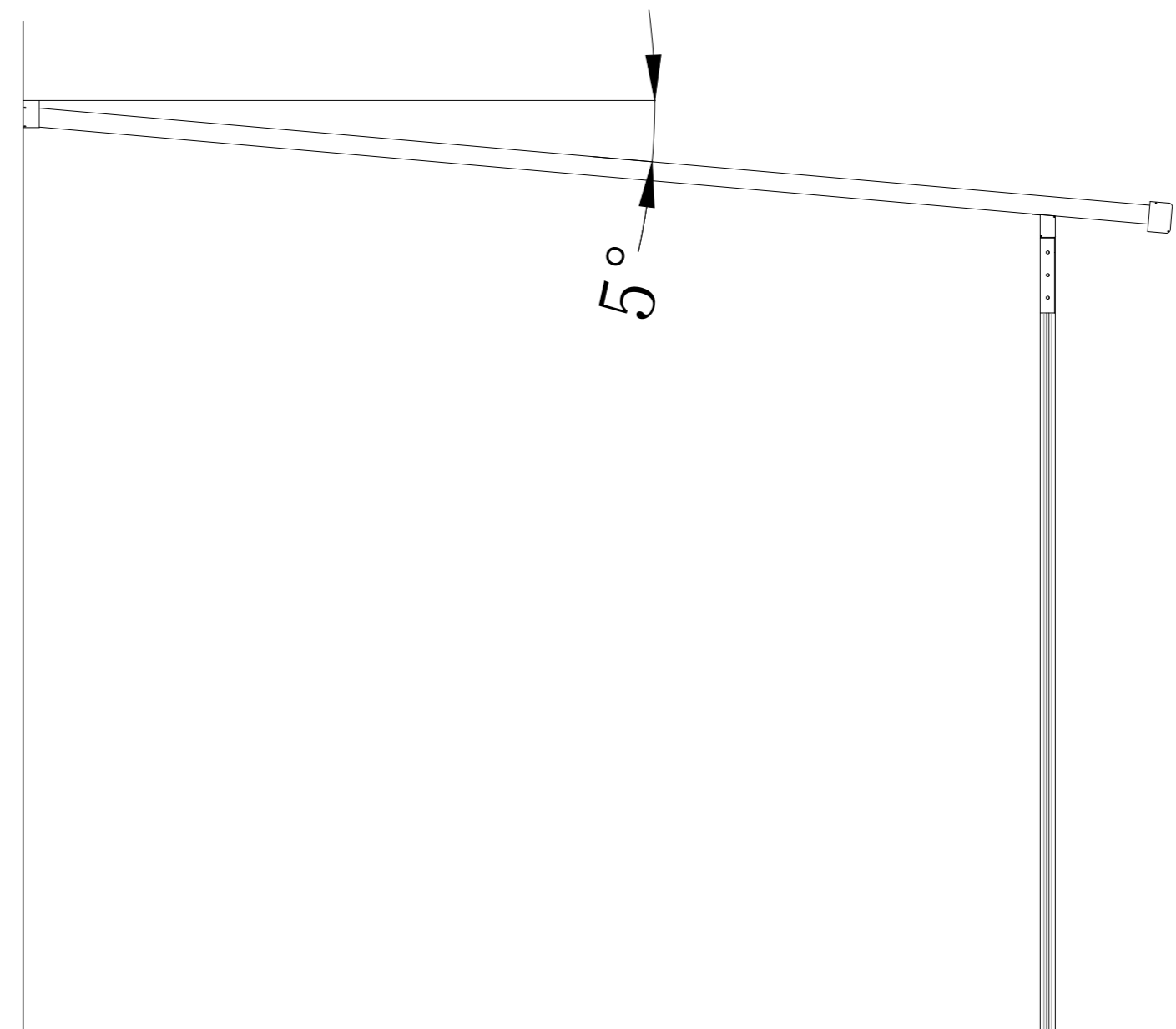
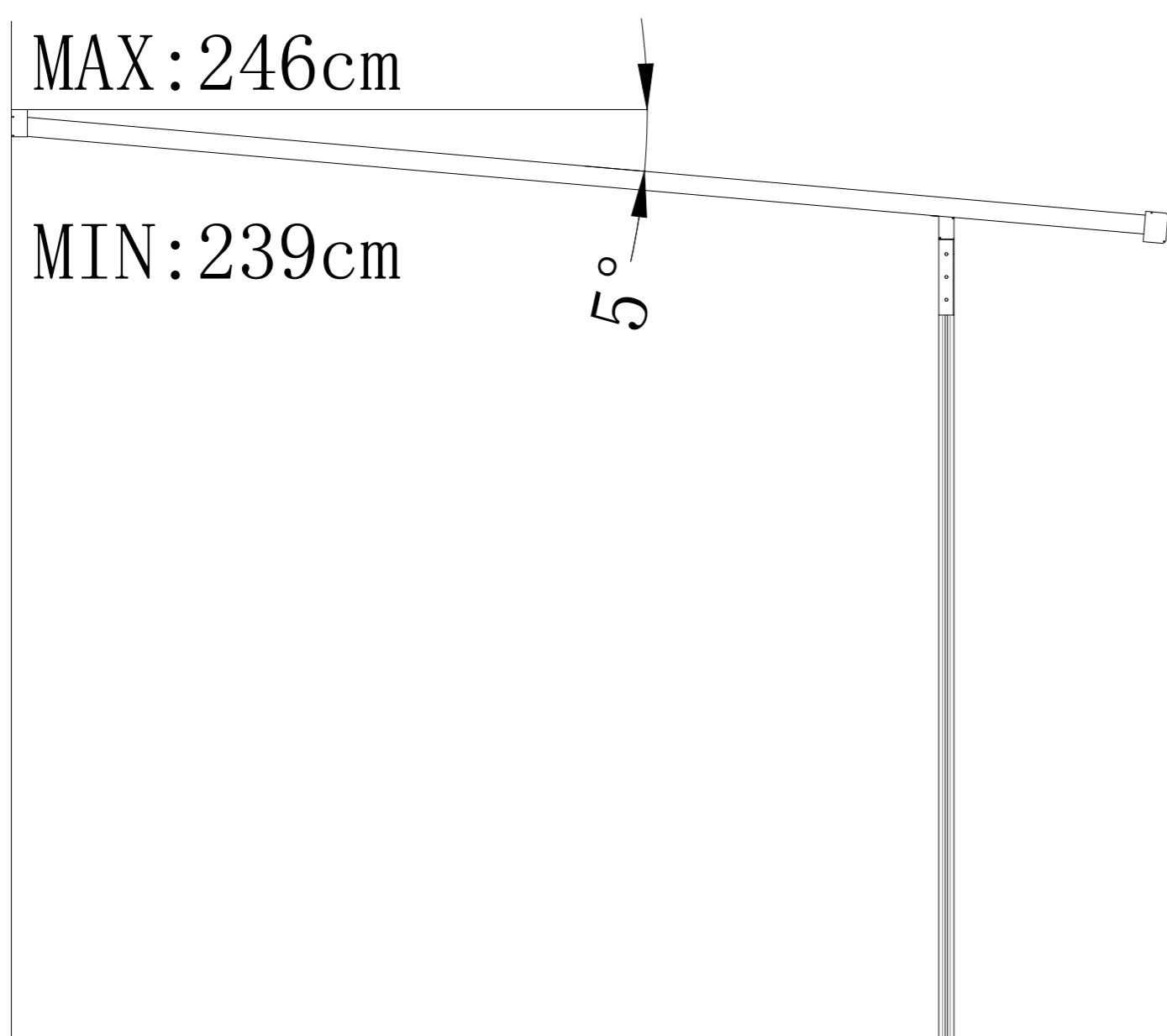
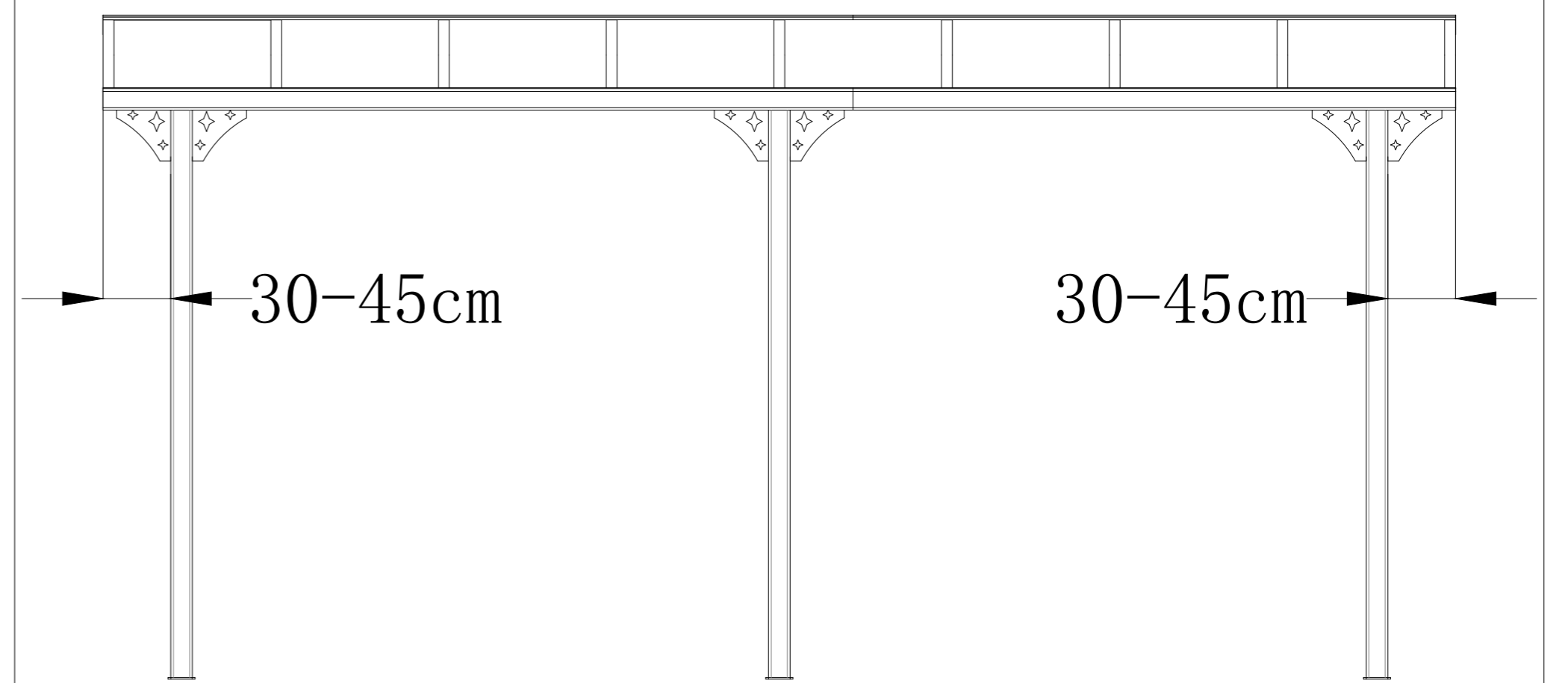
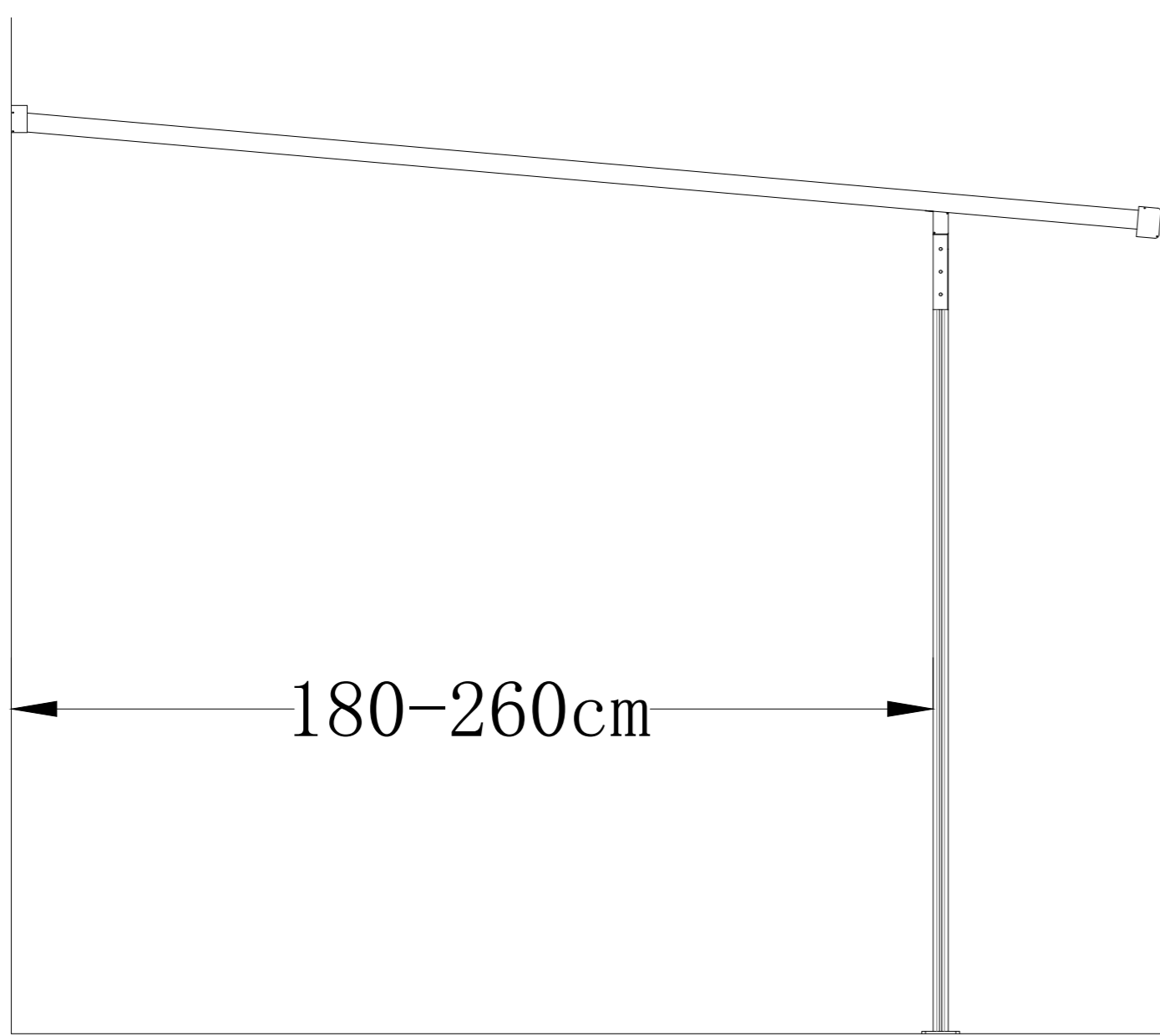
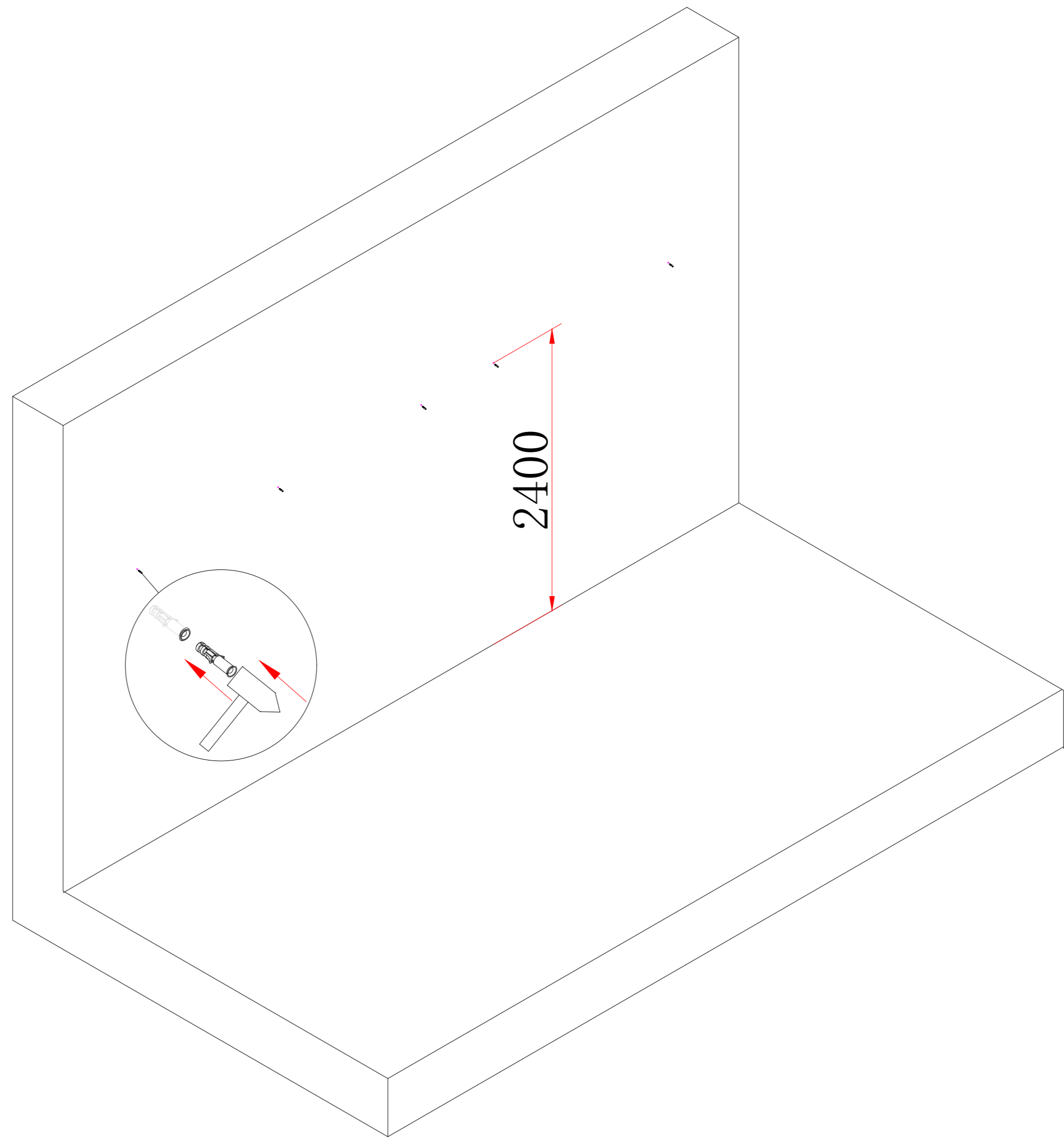
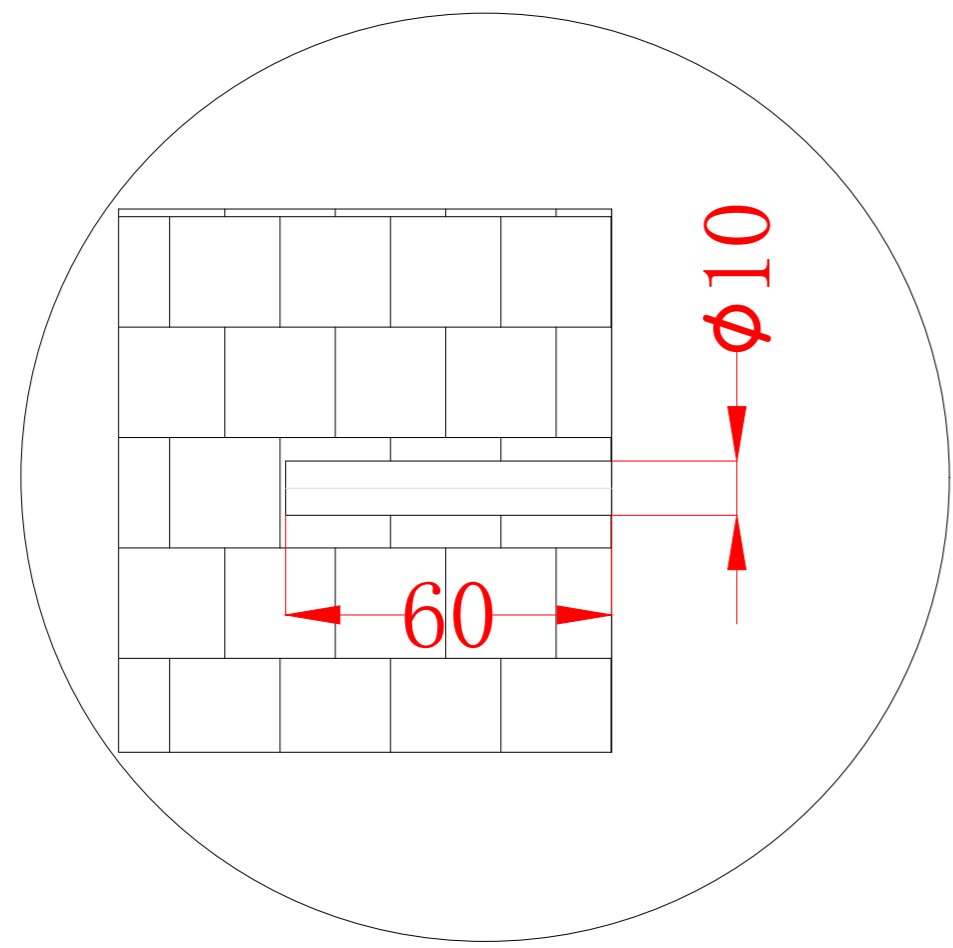


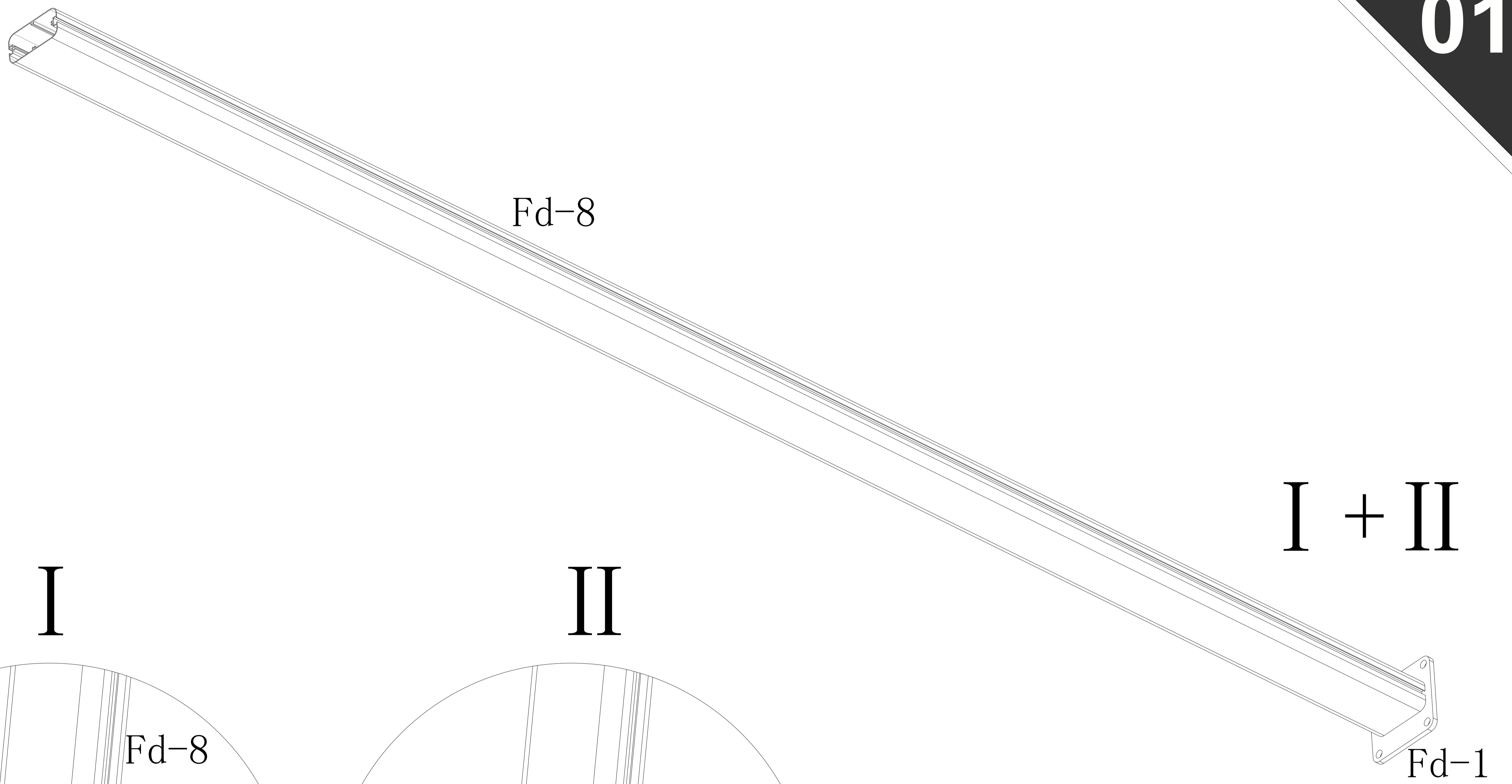
Name of parts	Section	QTY (pcs)
Box 1/3		
Fd-8		3
Fd-A5		1
Fd-A5b		1
Fd-A24		1
Fd-A24b		1
Fd-A12		1
Fd-A12b		1
Fd-1		3
Fa-2		1
Fd-4		6
Fd-12		1
Fd-P1L		1
Fd-P1R		1
Fd-P2L		1
Fd-P2R		1
Fd-P3L		1
Fd-P3R		1
Fd-P5		1
Fd-P6		1

Name of parts	Section	QTY (pcs)
Box 1/3		
Fd-F27		63+2
Fd-F28		63+2
Fd-F29		4
Fd-F30		5
Fd-F31		12
Fd-F32		5
Fd-F33		12
Fd-F34		4
Fd-F35		12
instruction manual		1

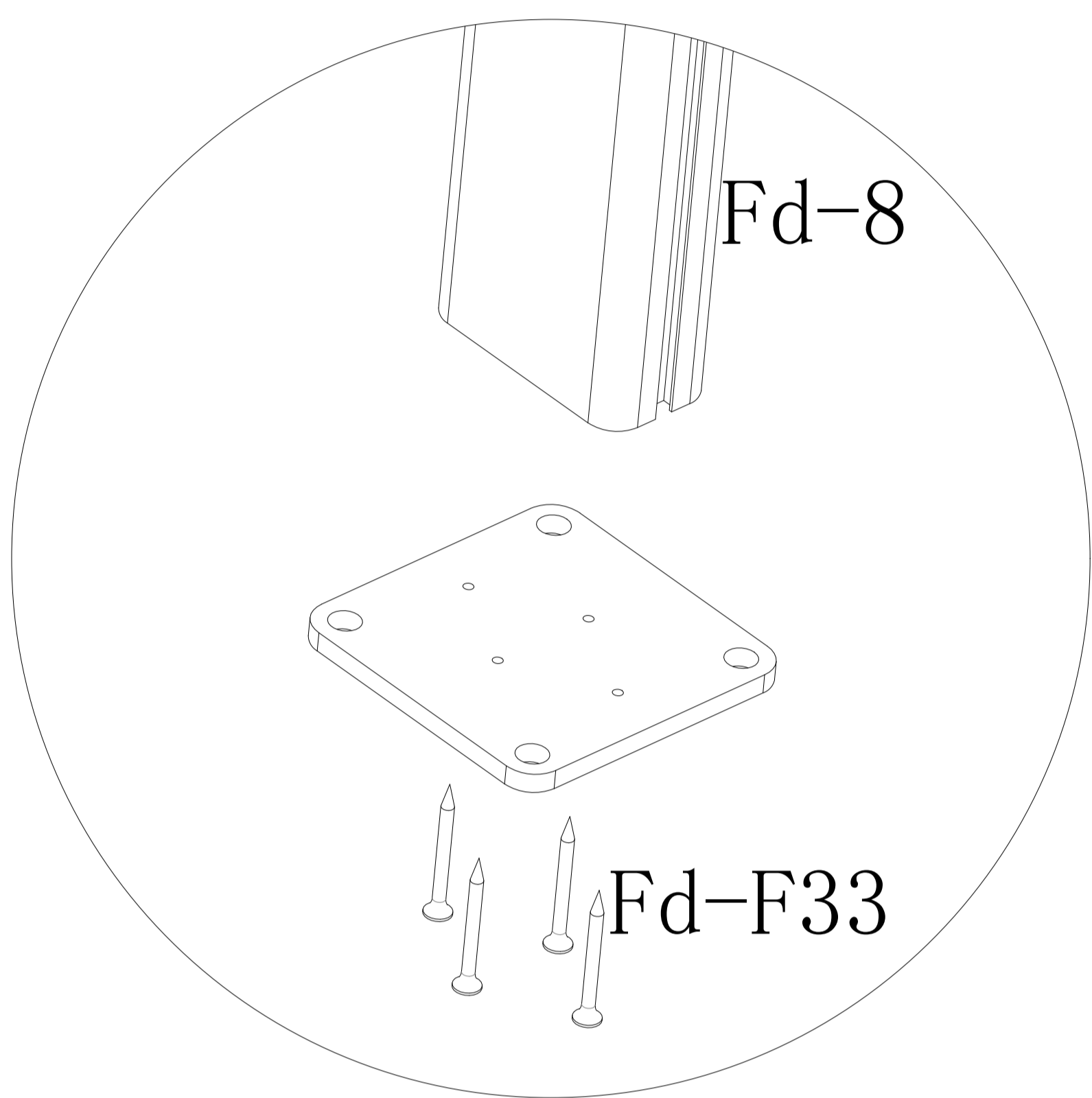
Name of parts	Section	QTY (pcs)
Box 2/3		
Fd-A19		7
Fd-A20		2

Name of parts	Section	QTY (pcs)
Box 3/3		
Fd-A23		8

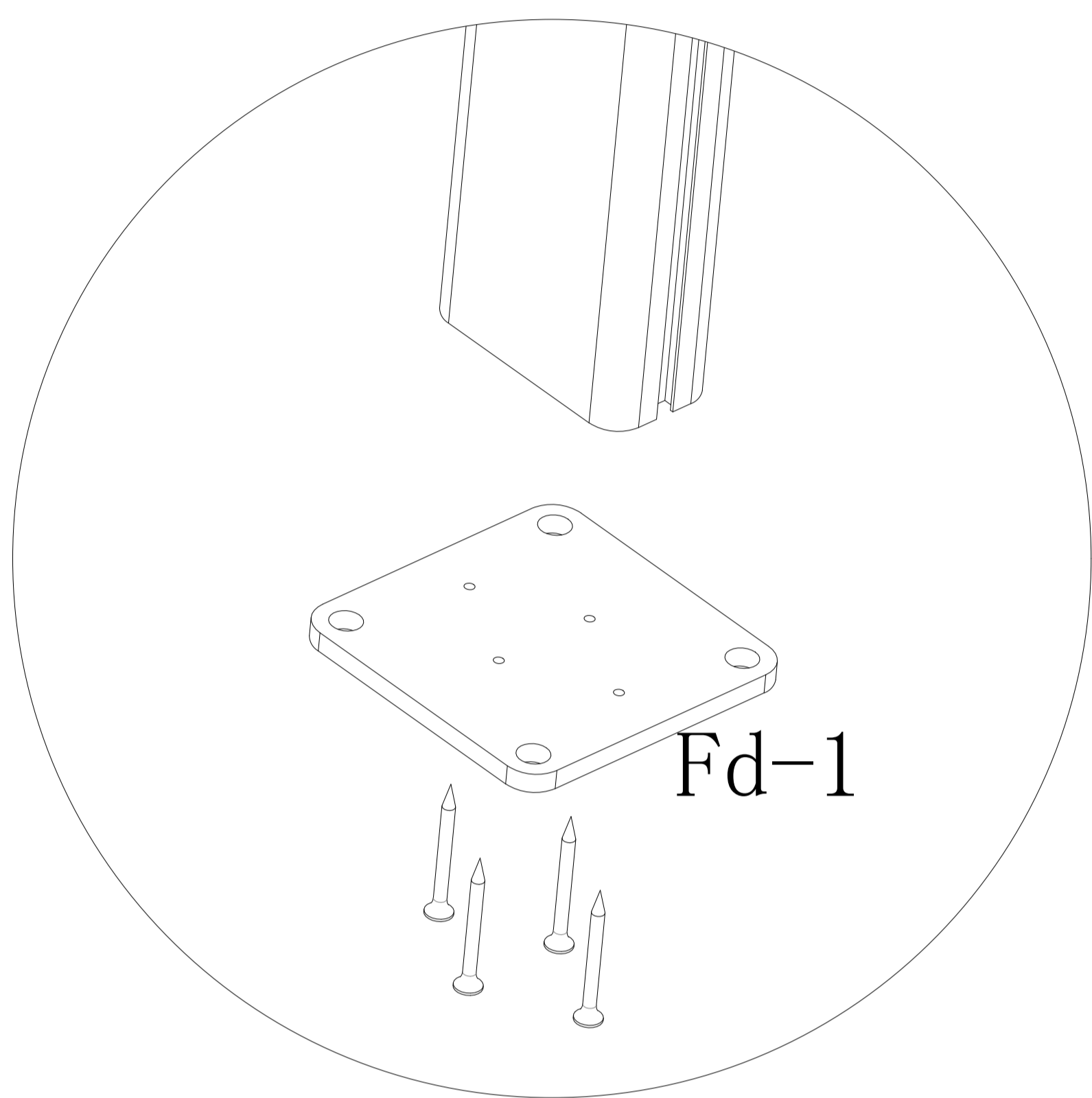




I

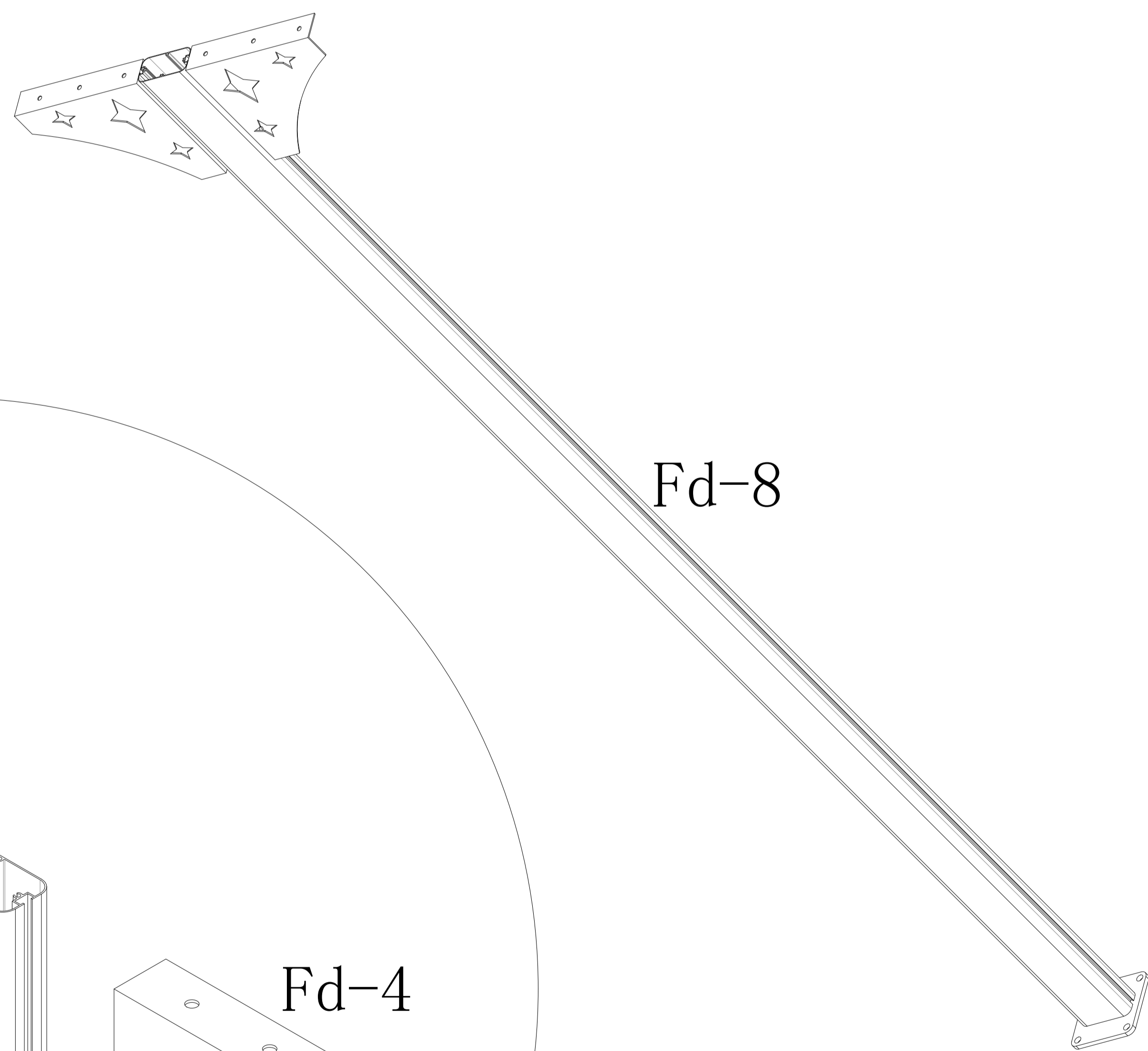


II

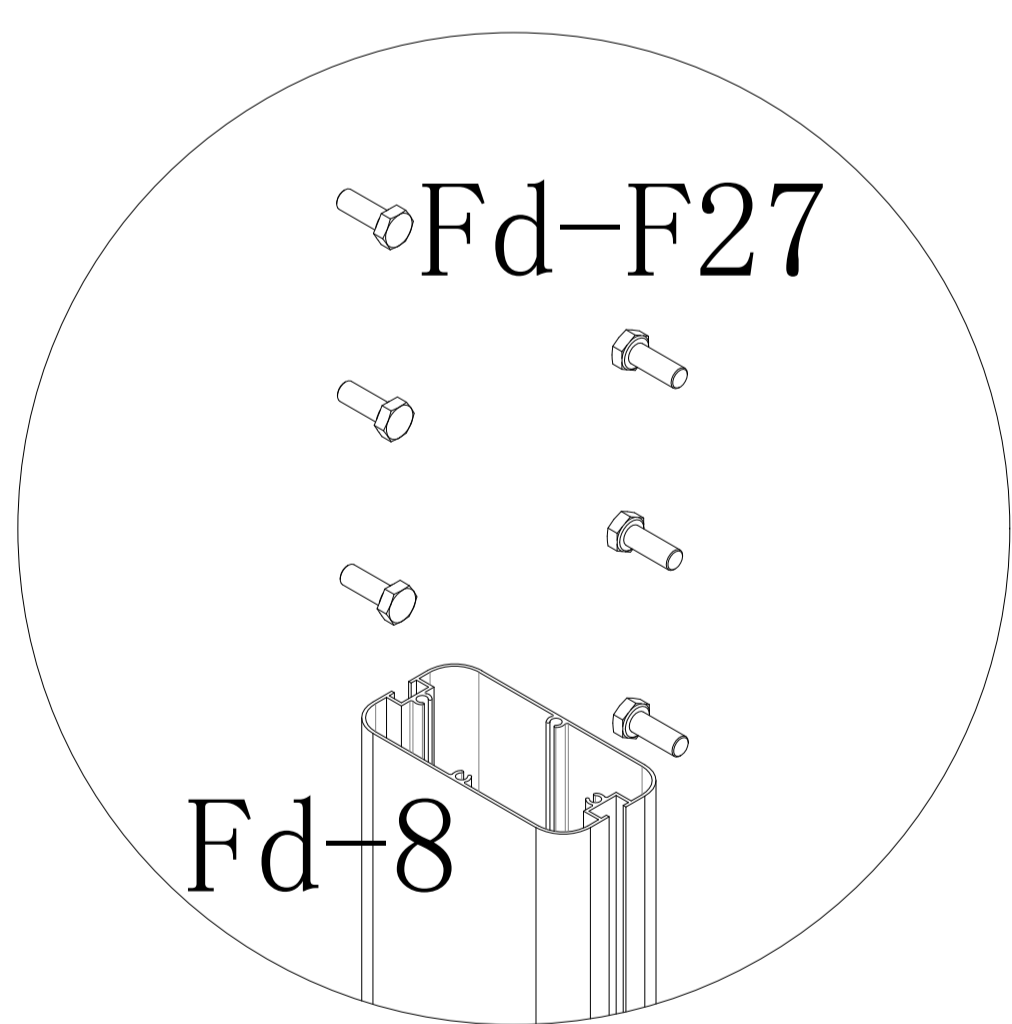


Fd-1		3
Fd-8		3
Fd-F33		12

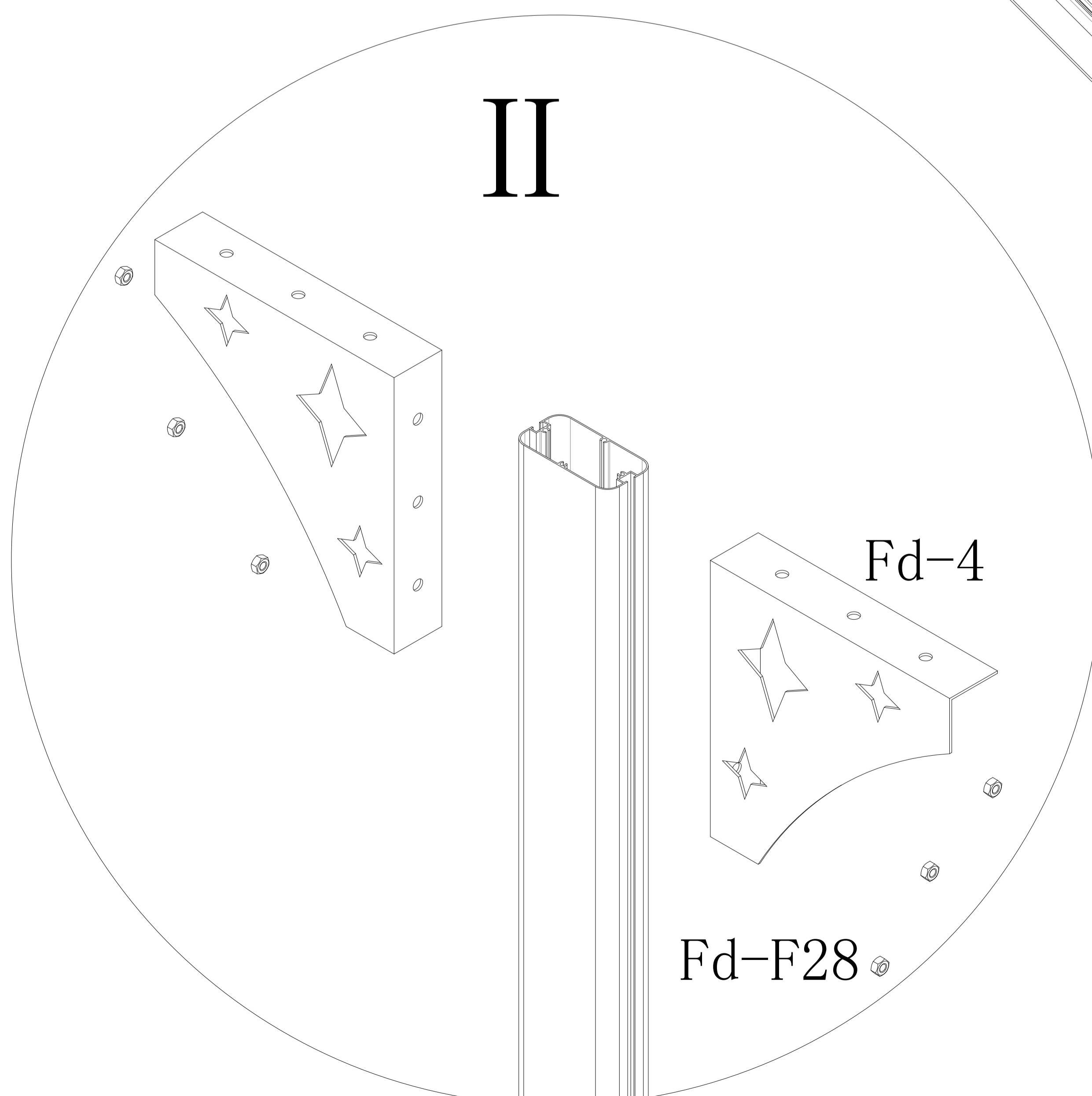
I + II



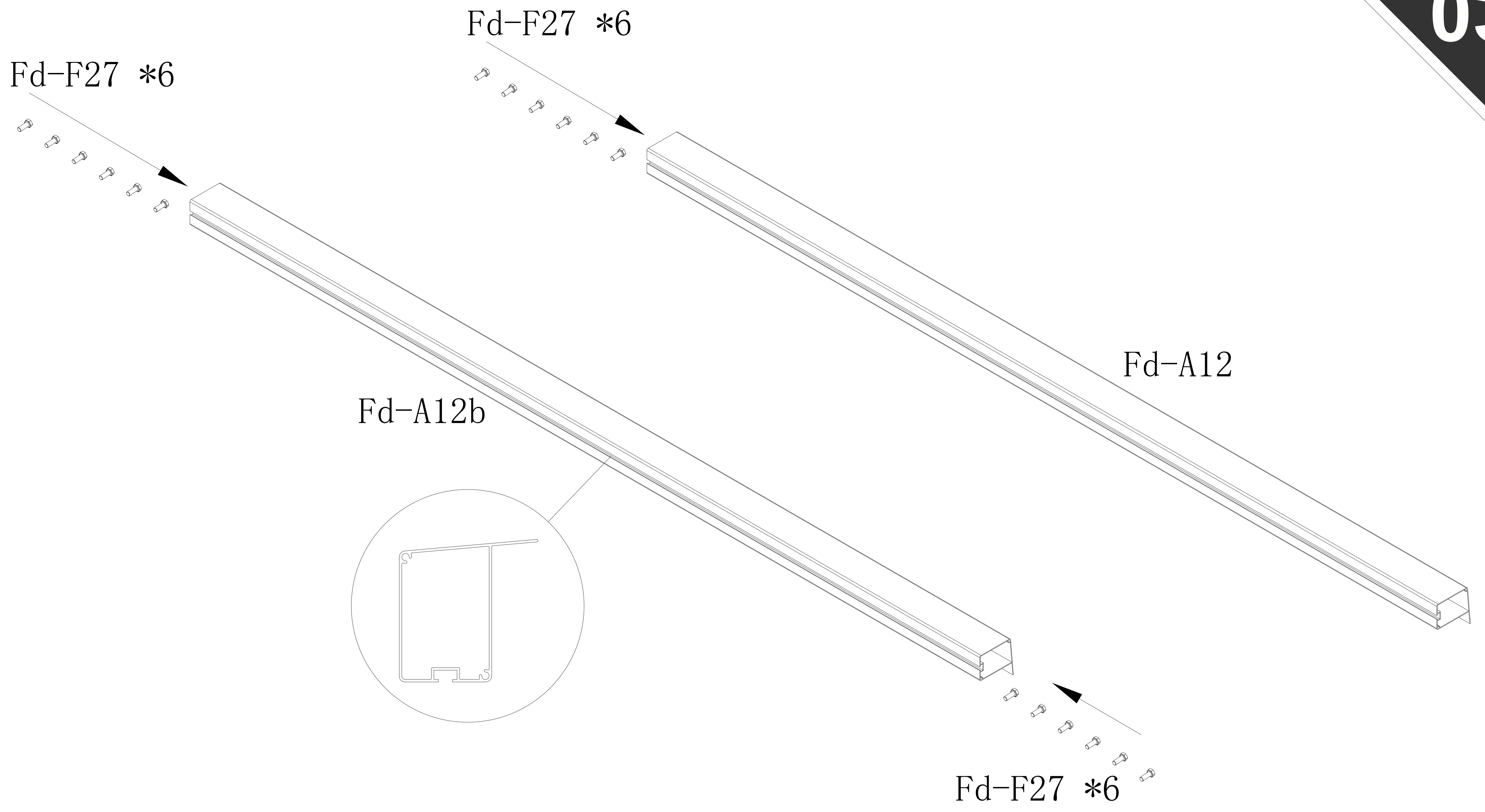
I



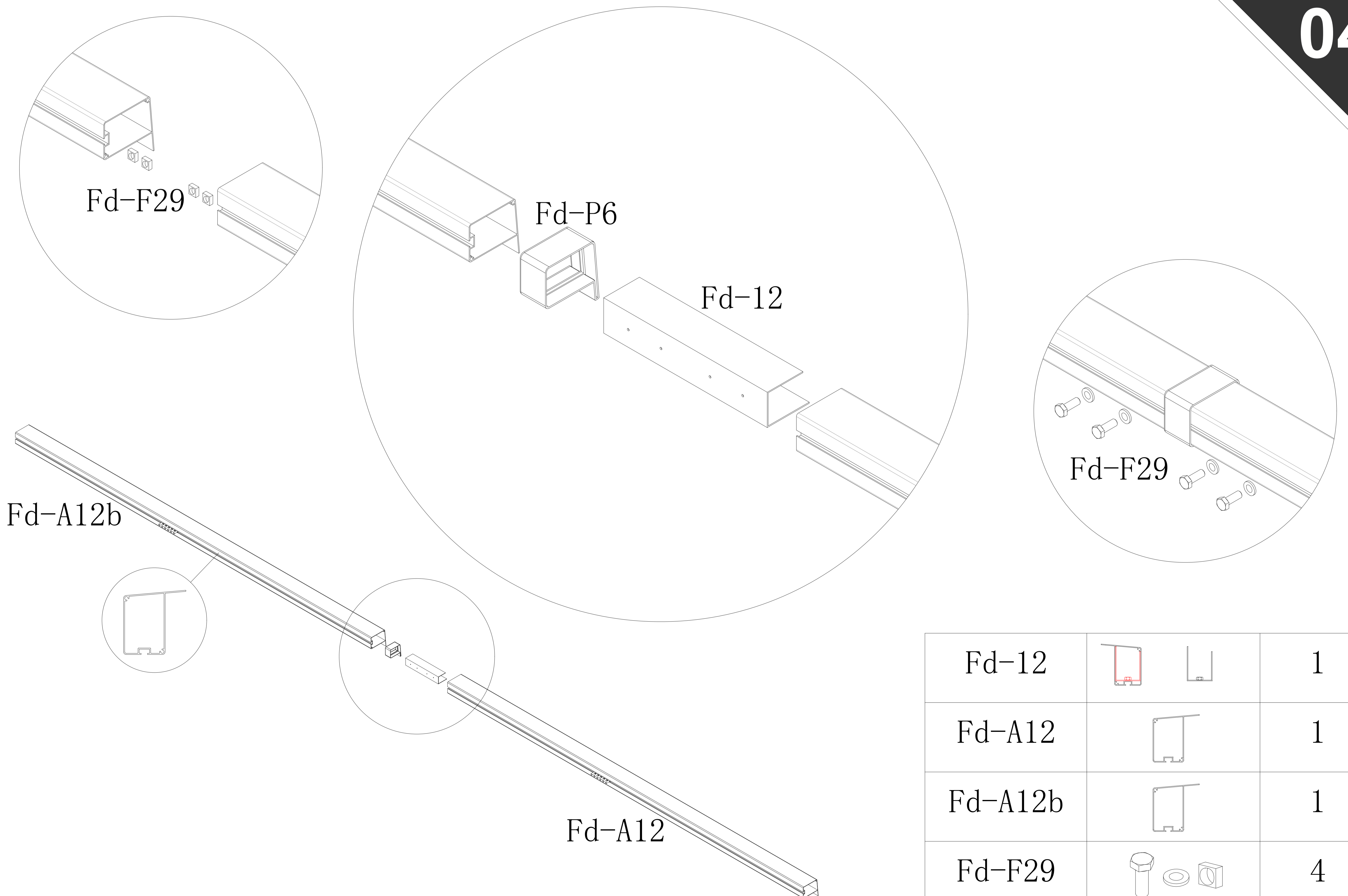
II



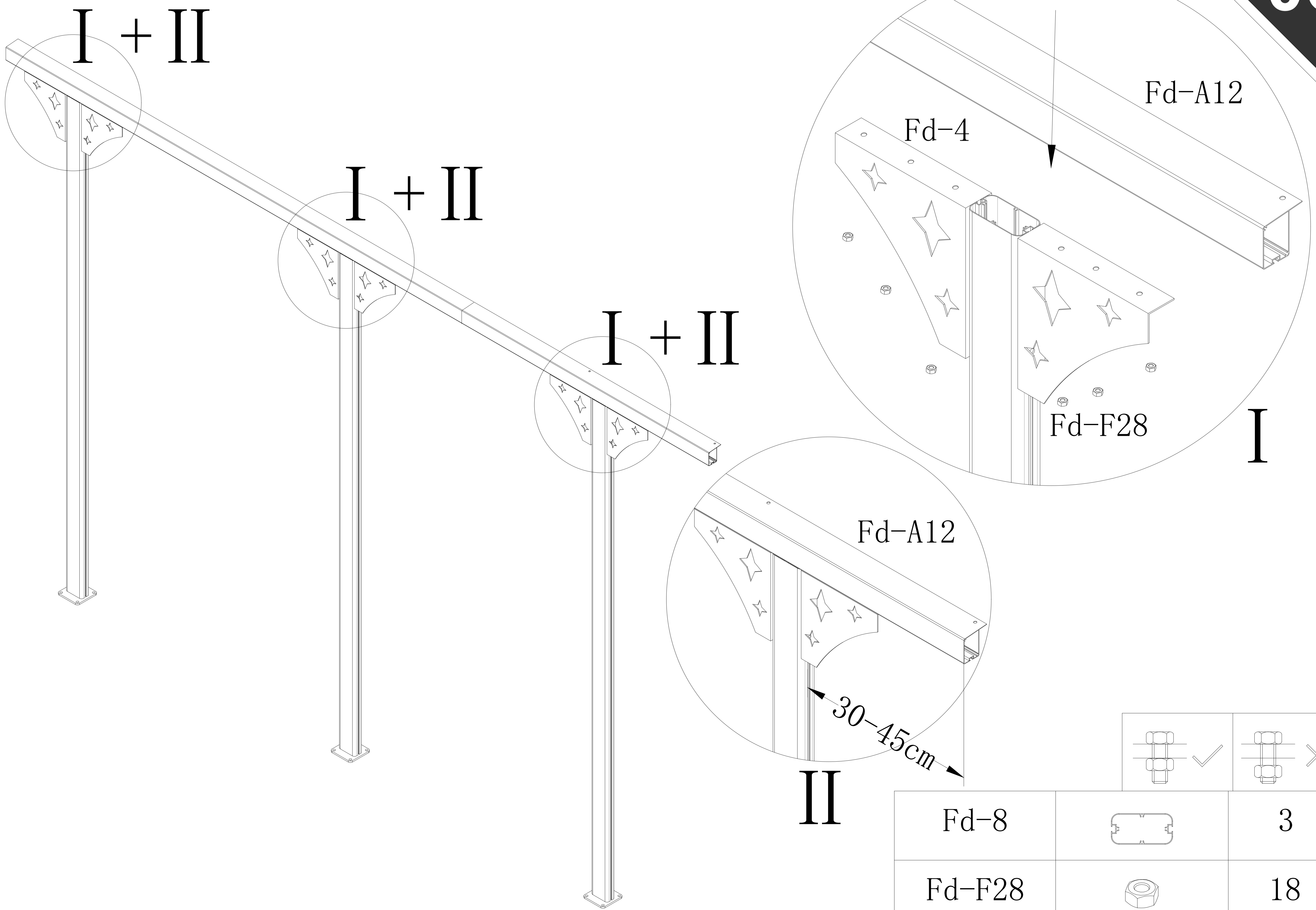
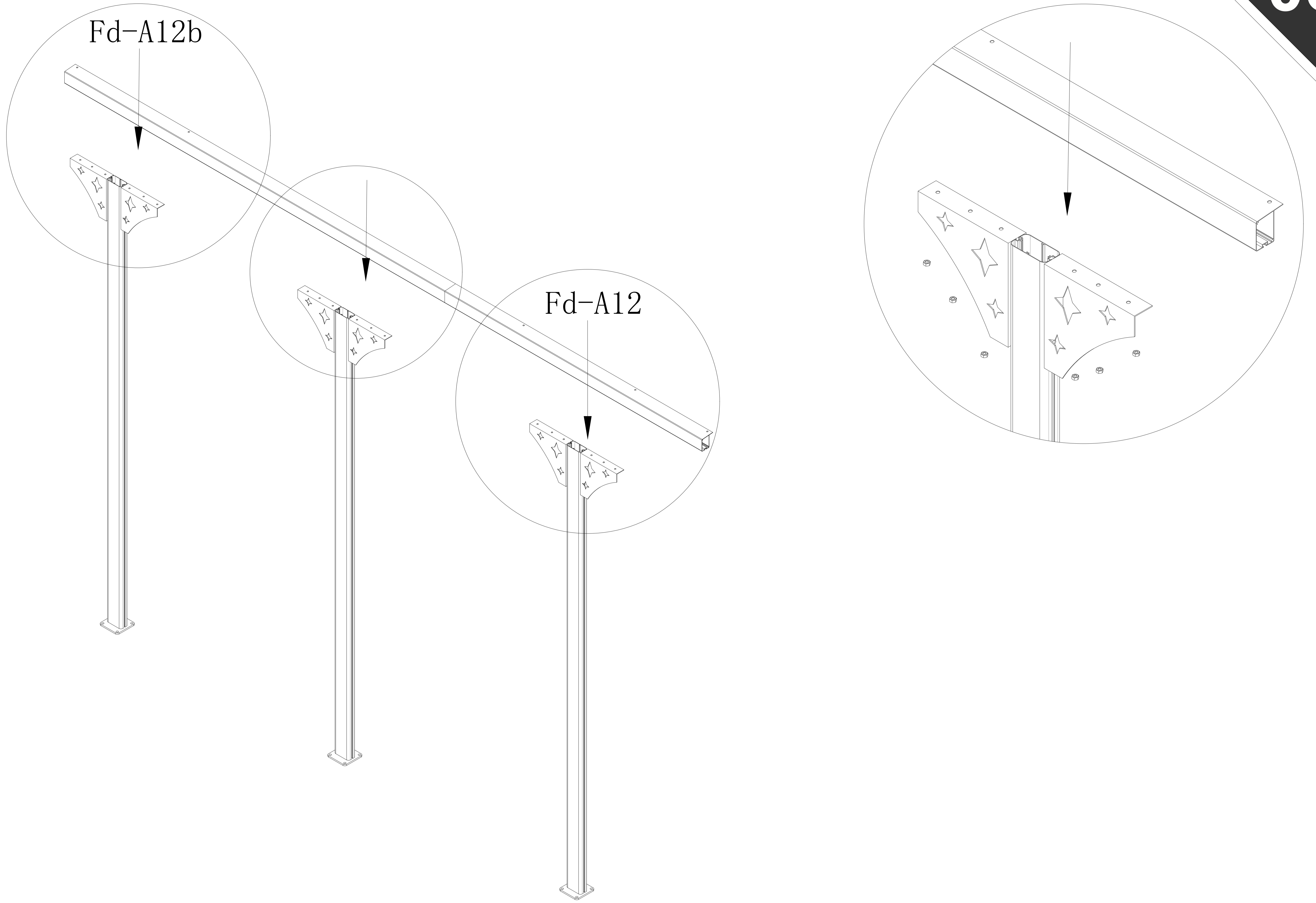
Fd-4		6
Fd-8		3
Fd-F27		18
Fd-F28		18

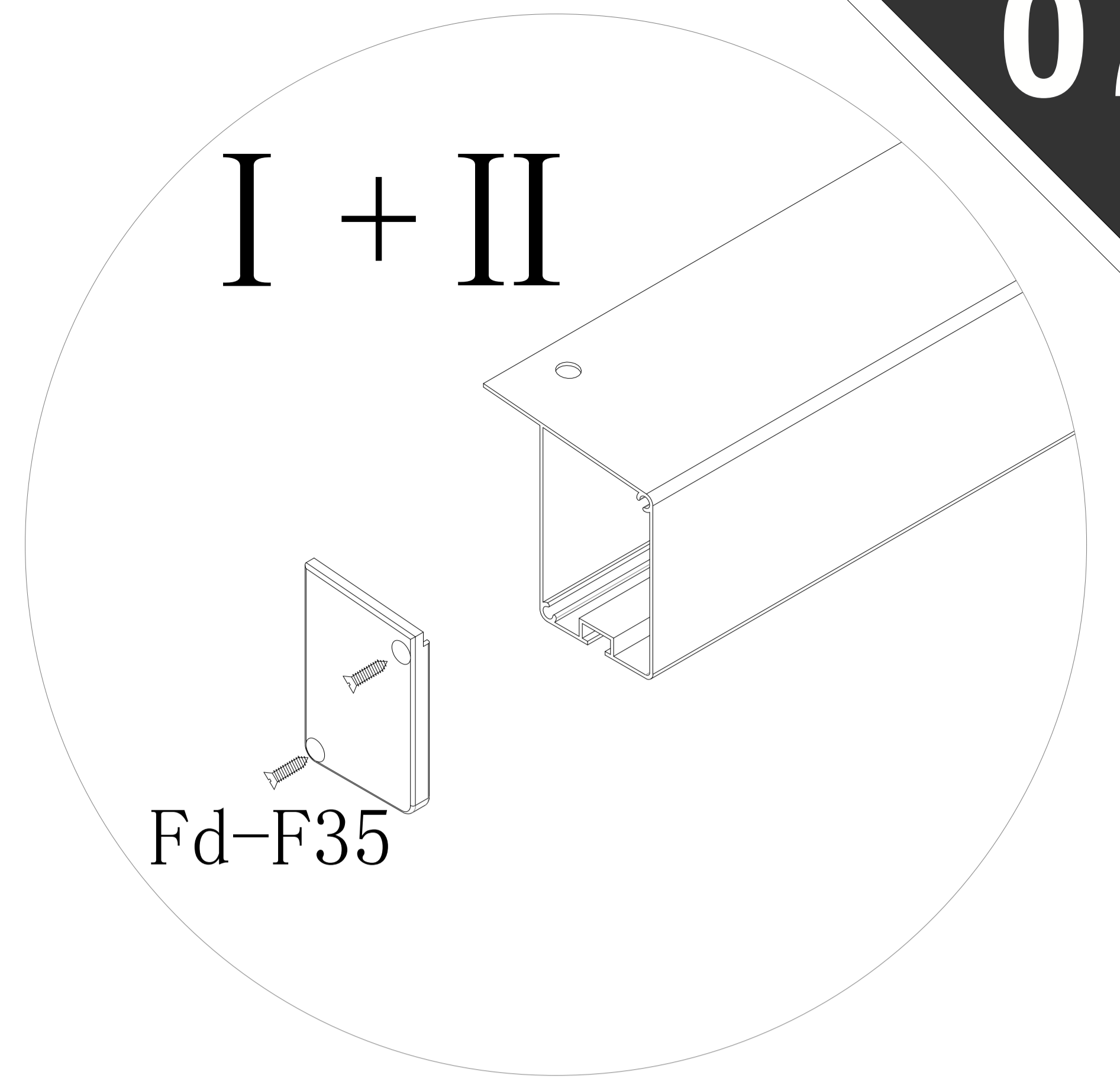
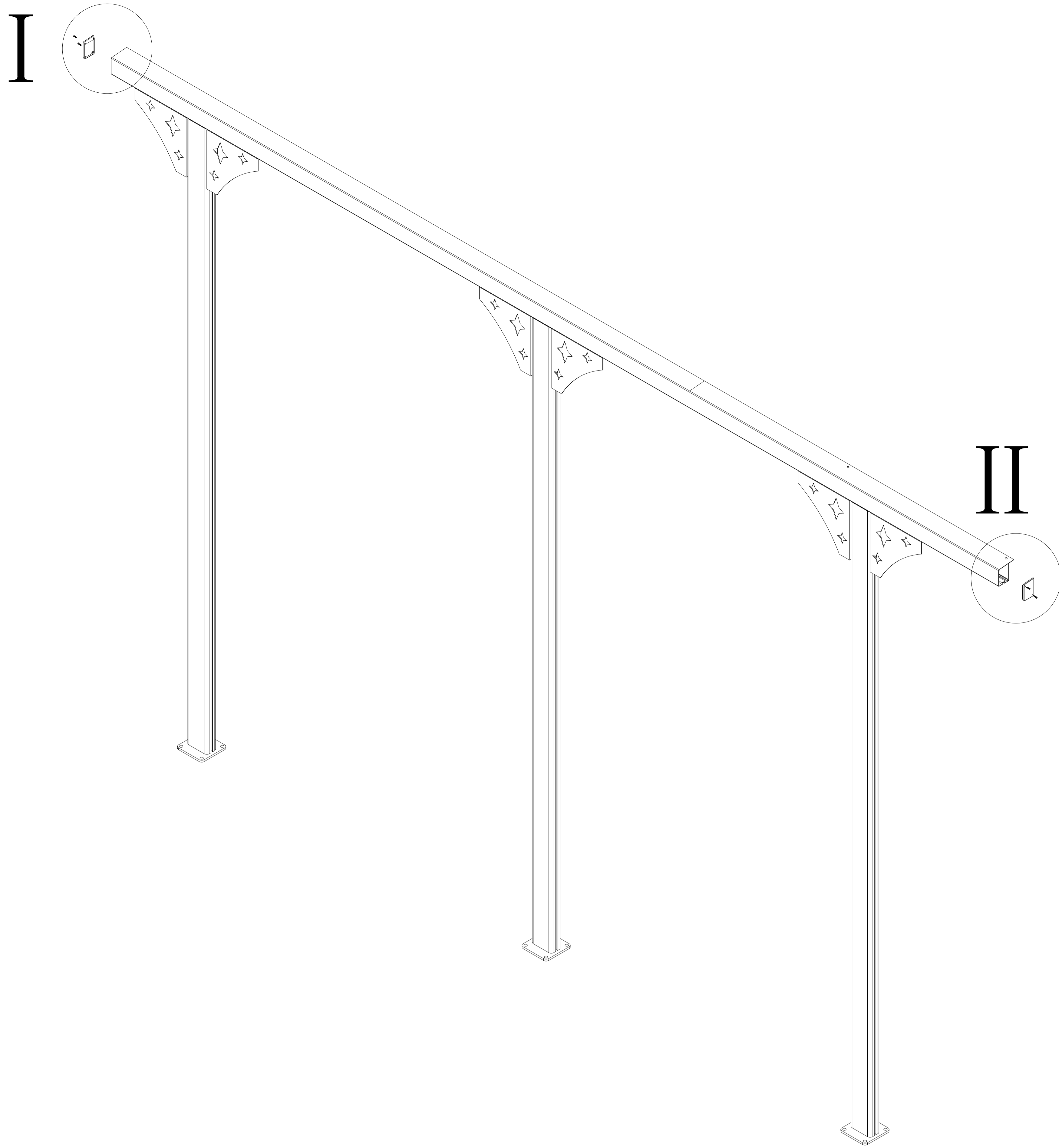


Fd-A12		1
Fd-A12b		1
Fd-F27		18

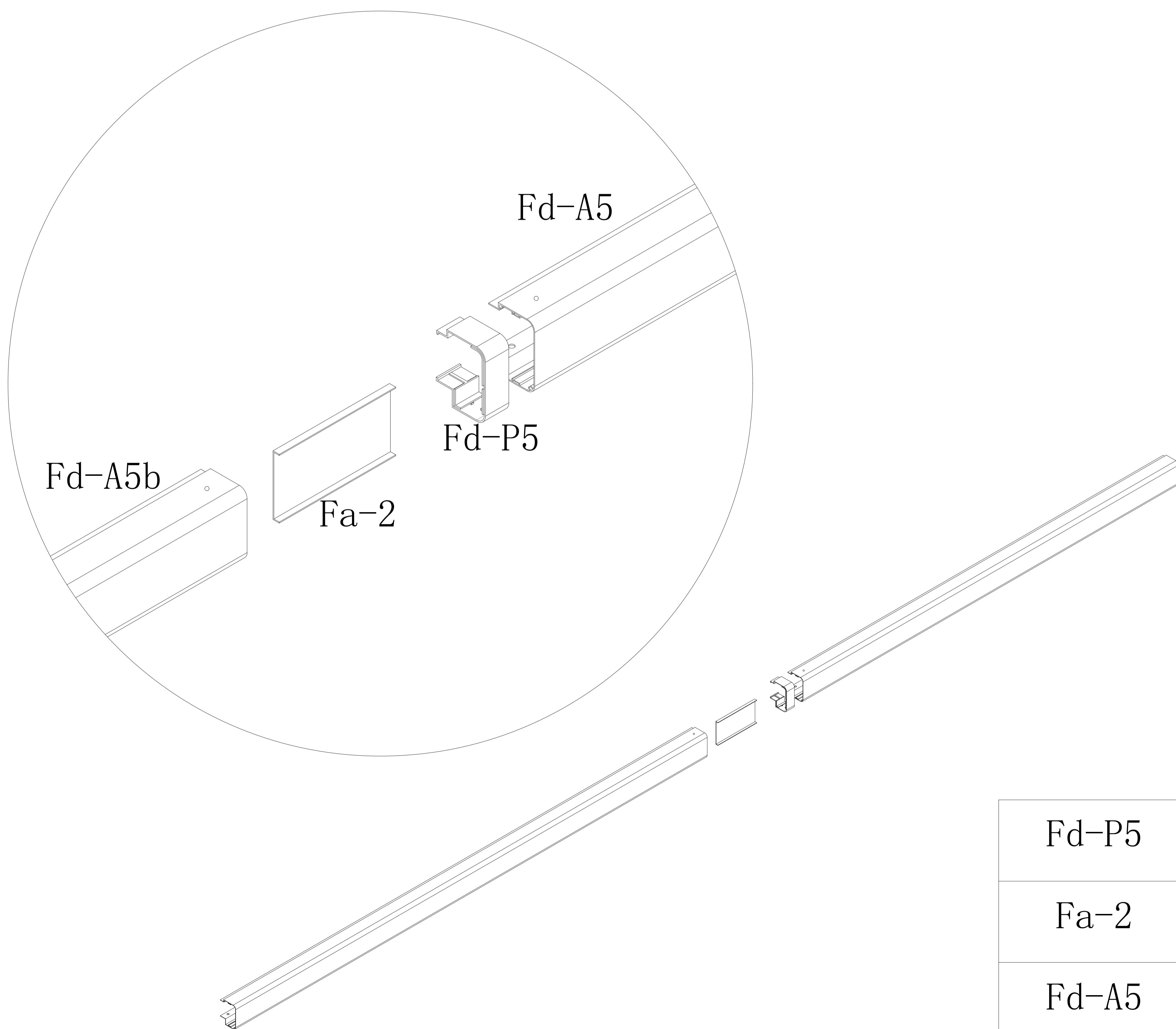


Fd-12		1
Fd-A12		1
Fd-A12b		1
Fd-F29		4
Fd-P6		1

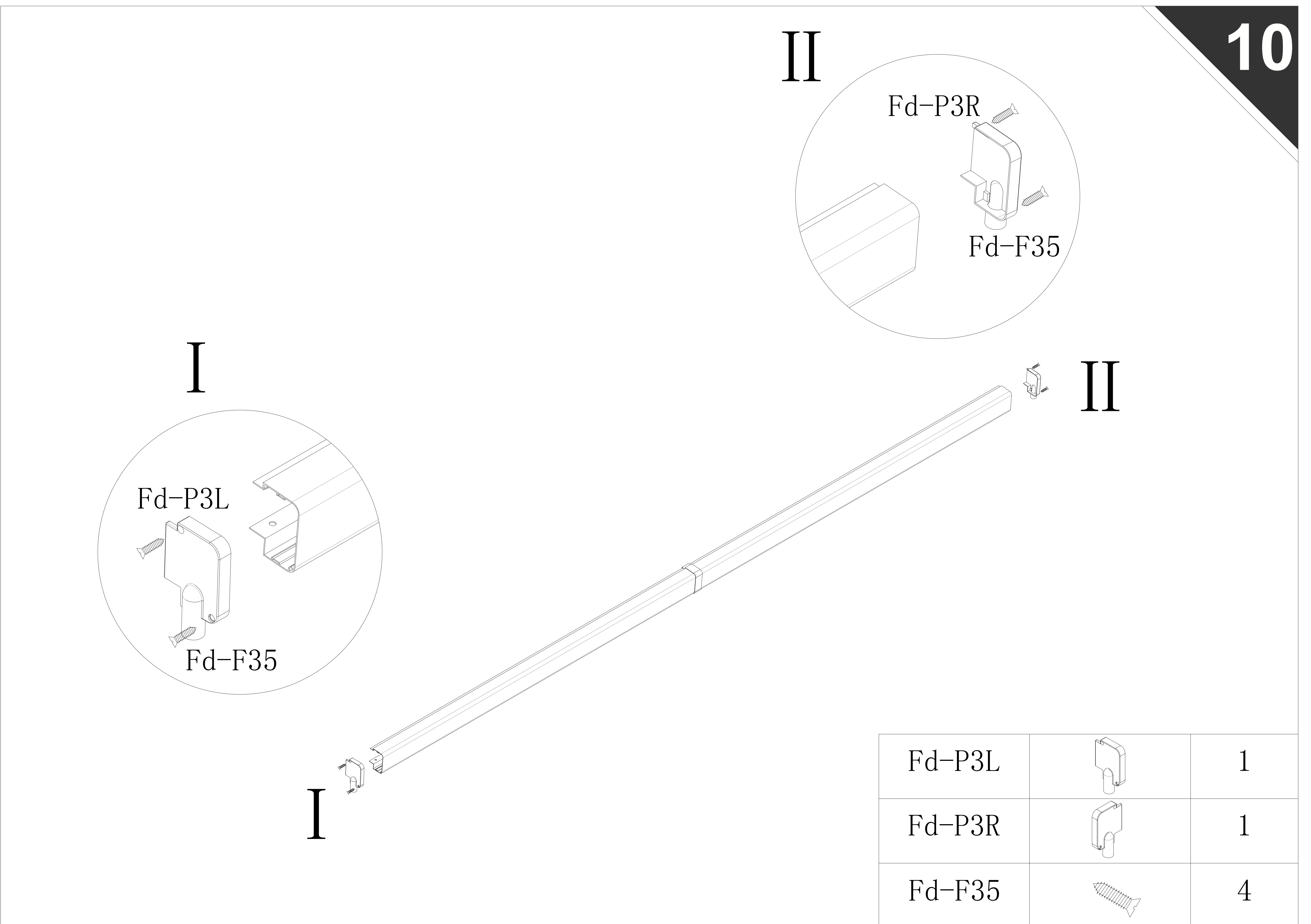
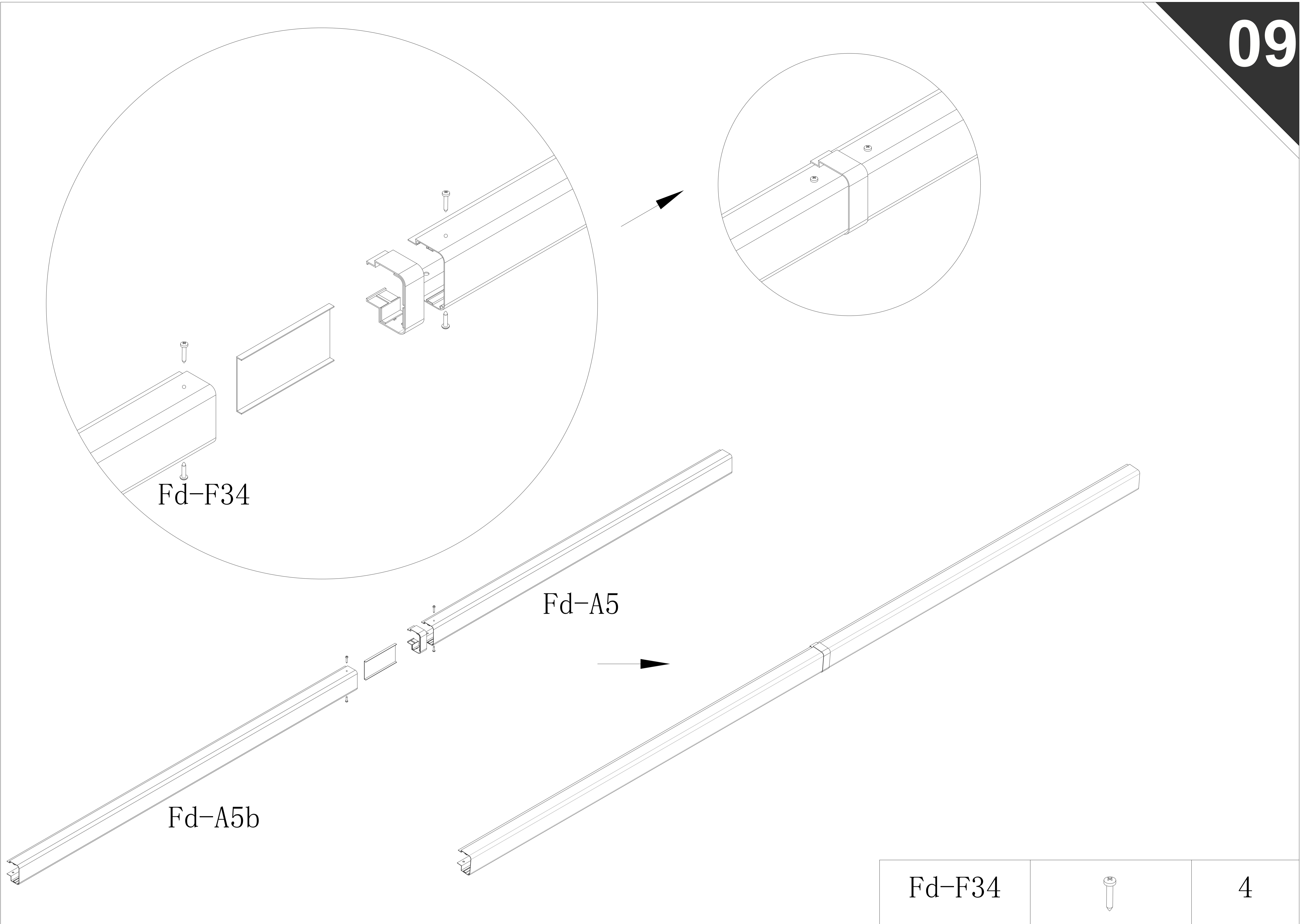


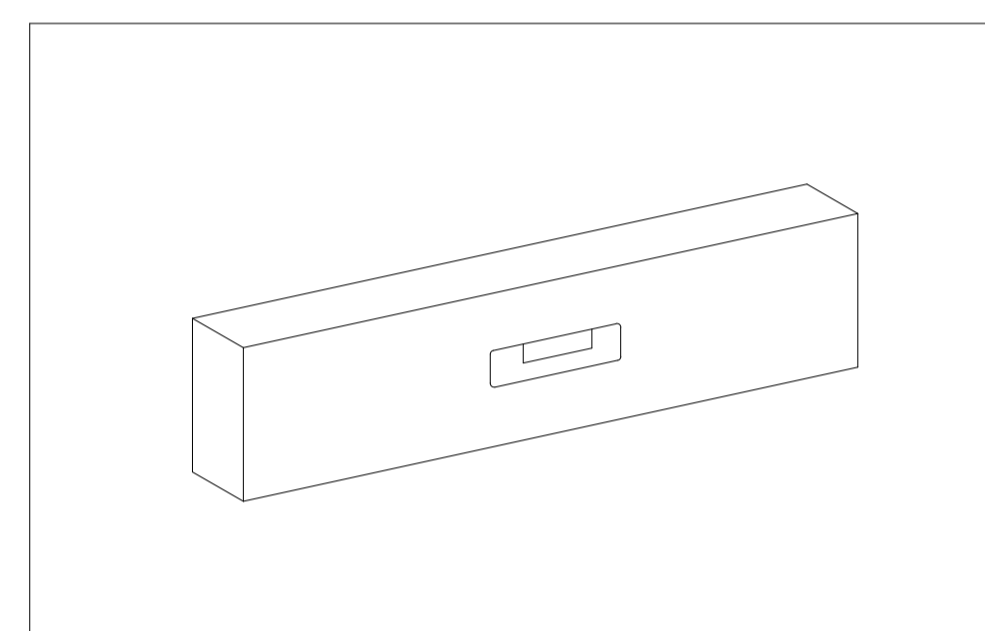
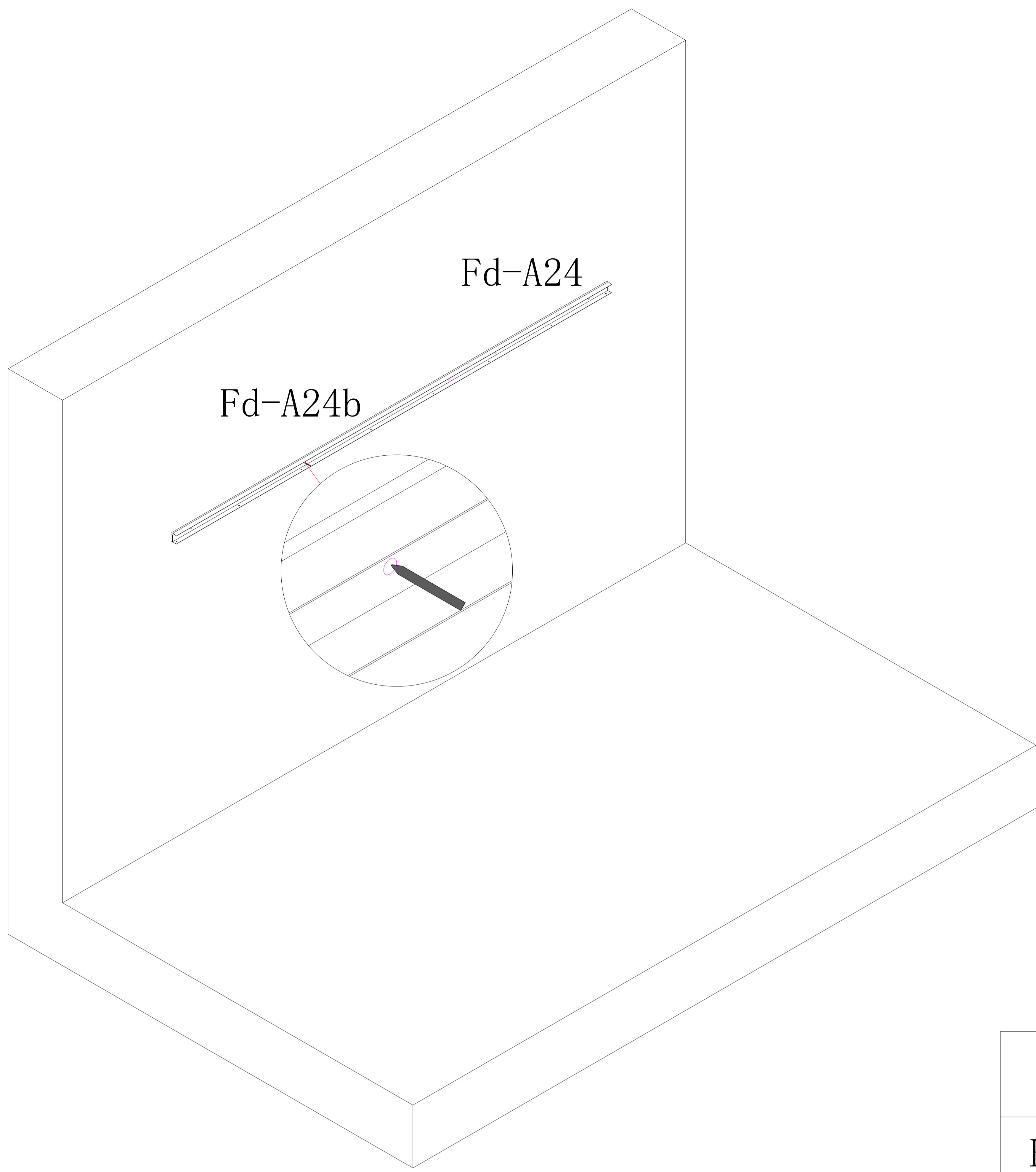


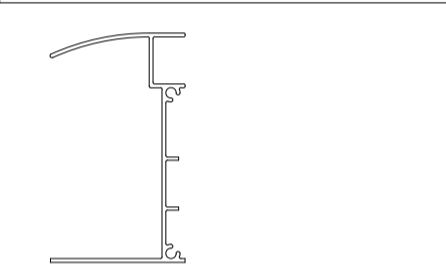
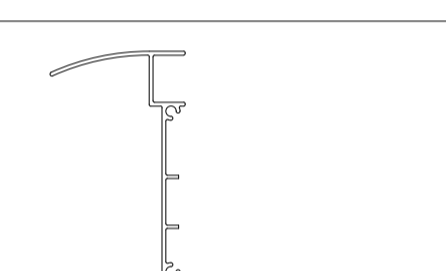
Fd-P1L		1
Fd-P1R		1
Fd-F35		4

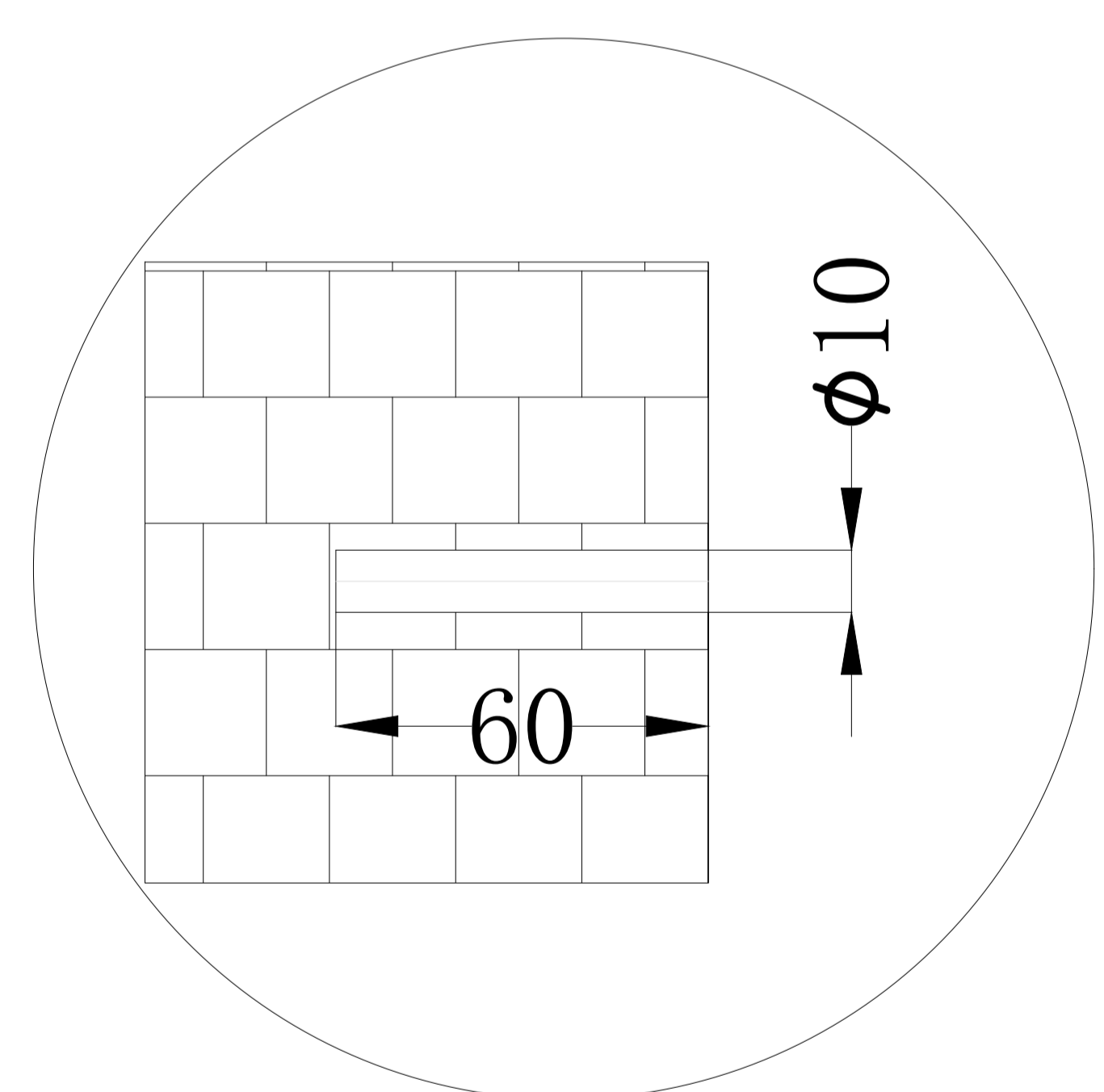
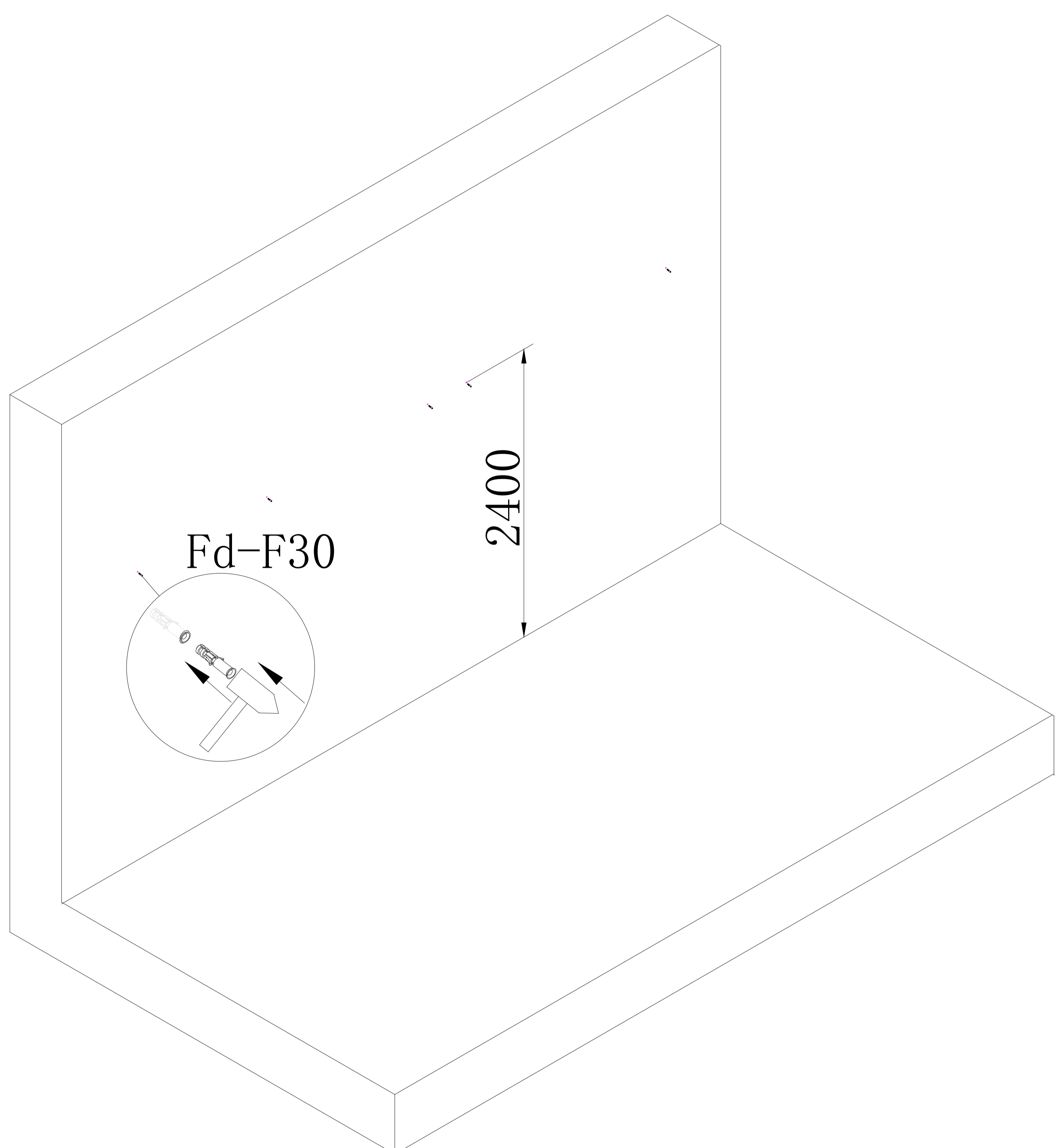


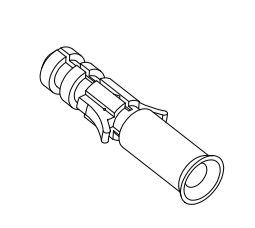
Fd-P5		1
Fa-2		1
Fd-A5		1
Fd-A5b		1

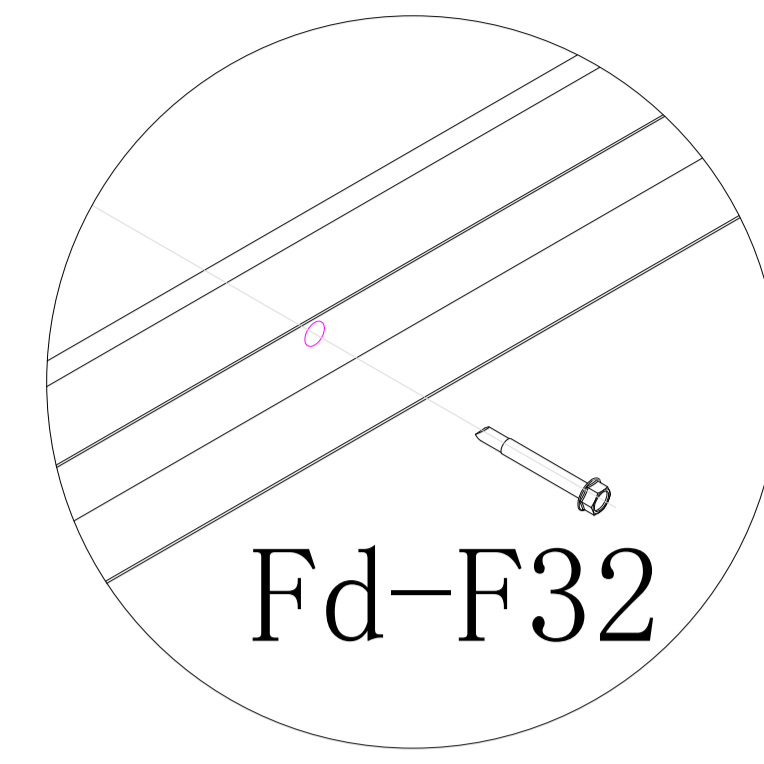
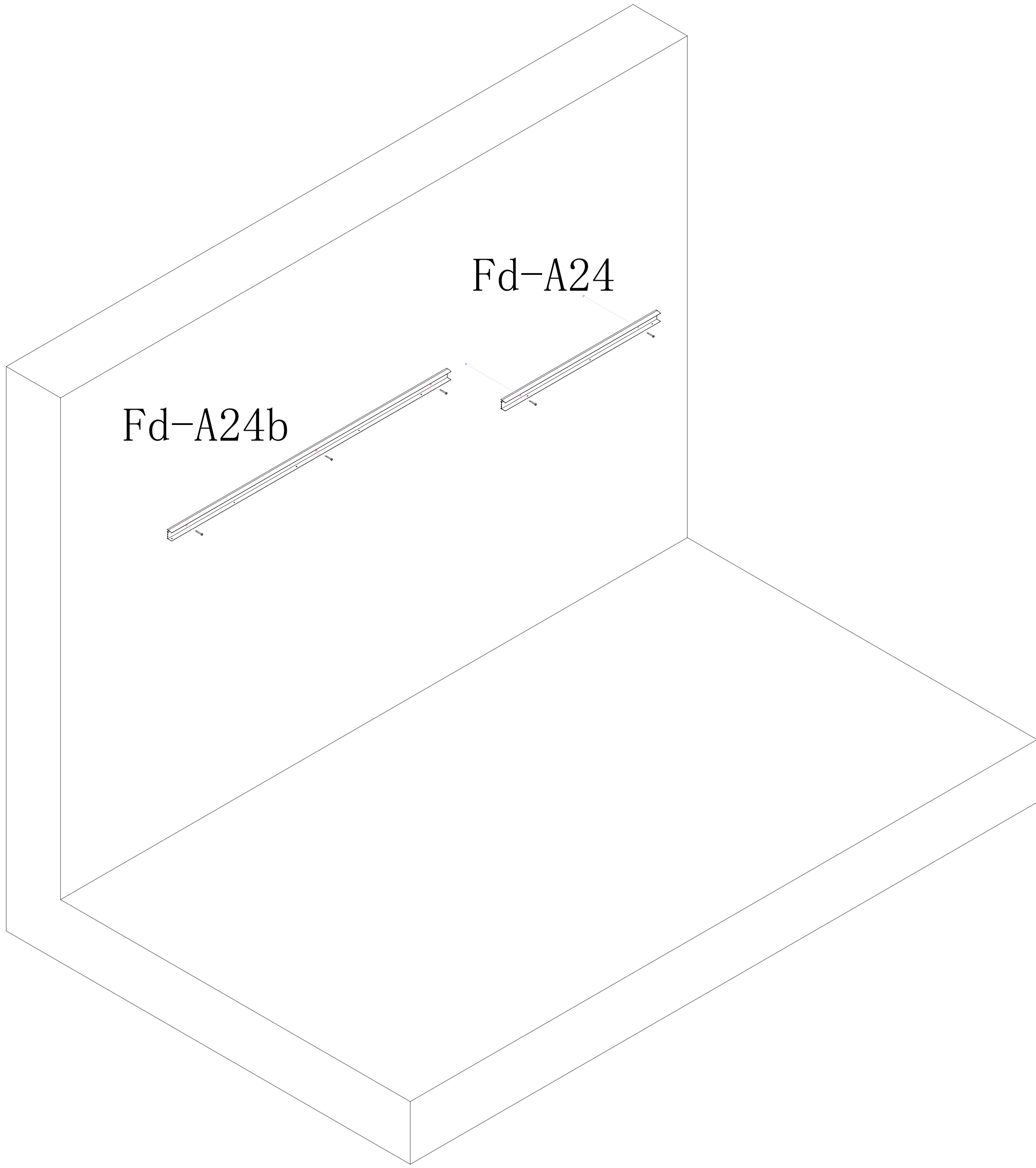


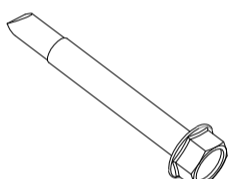


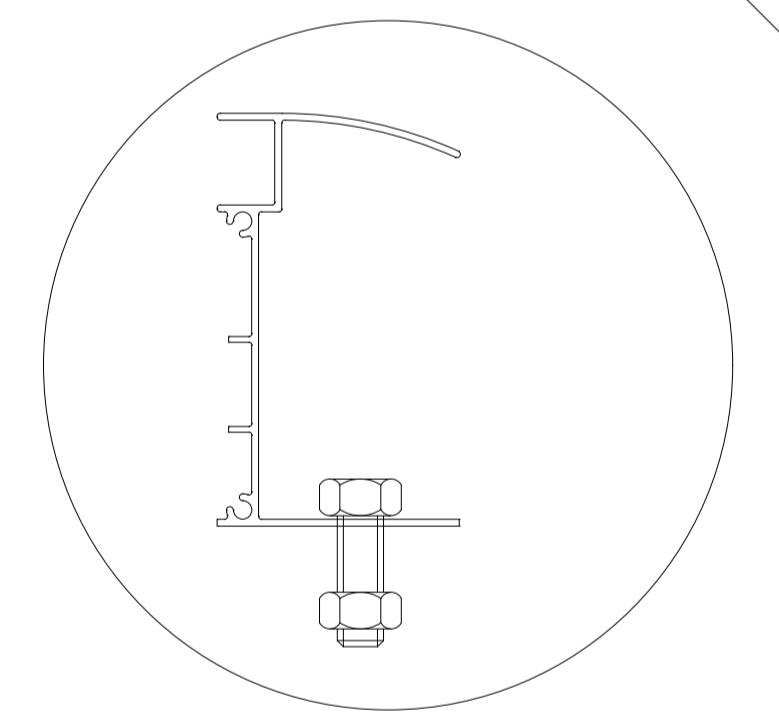
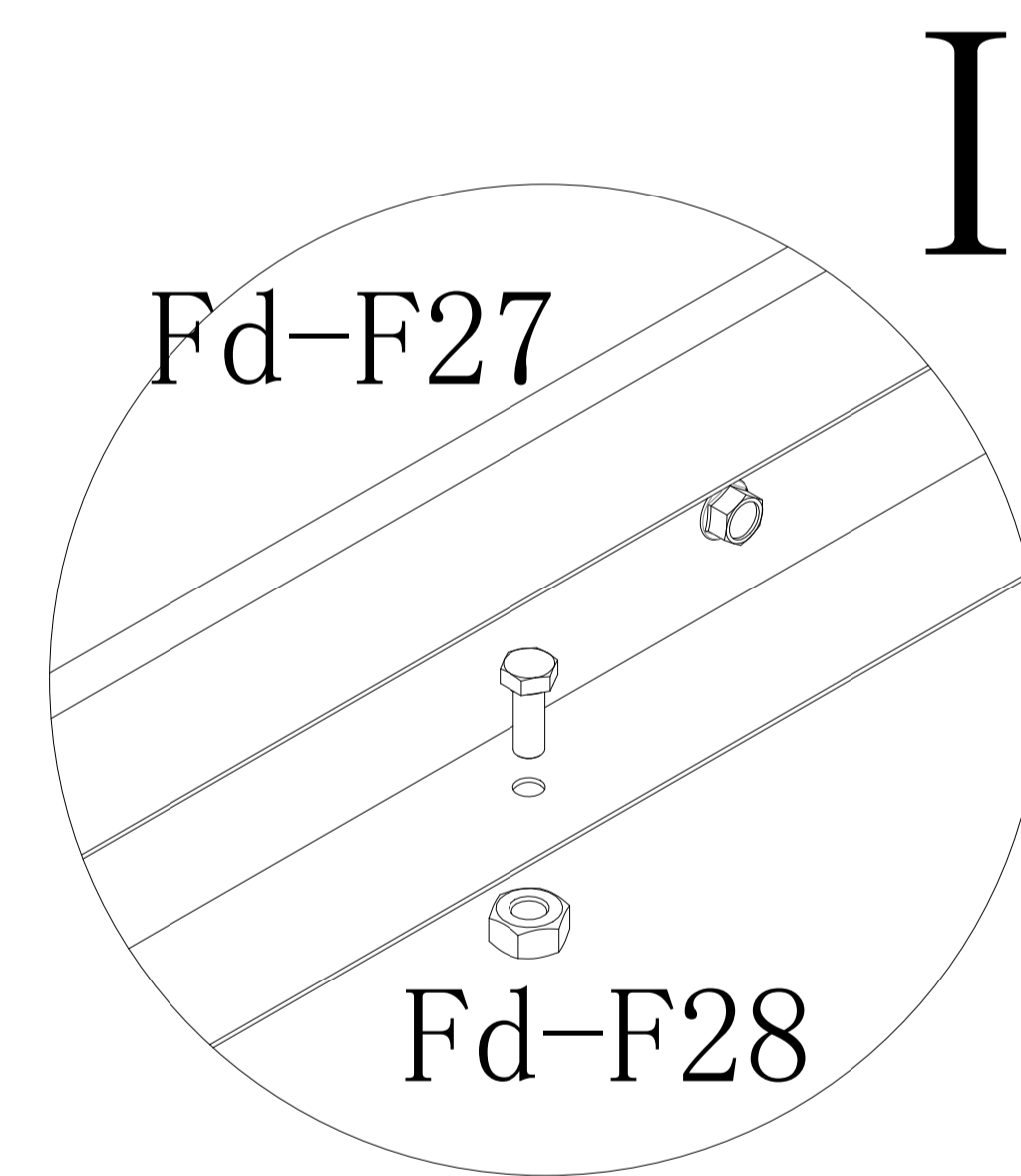
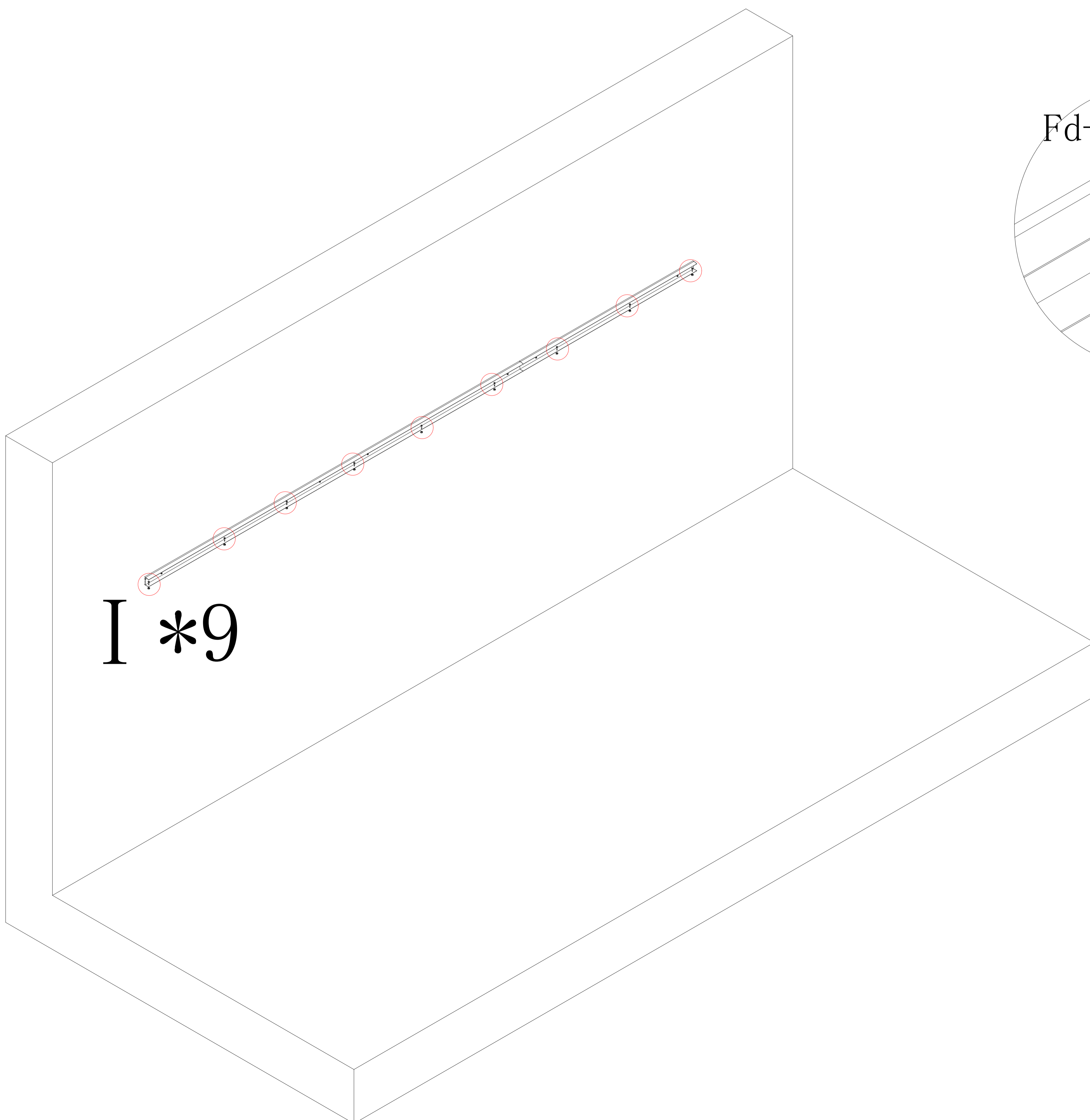
Fd-A24		1
Fd-A24b		1

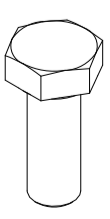
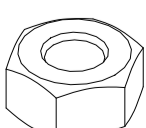


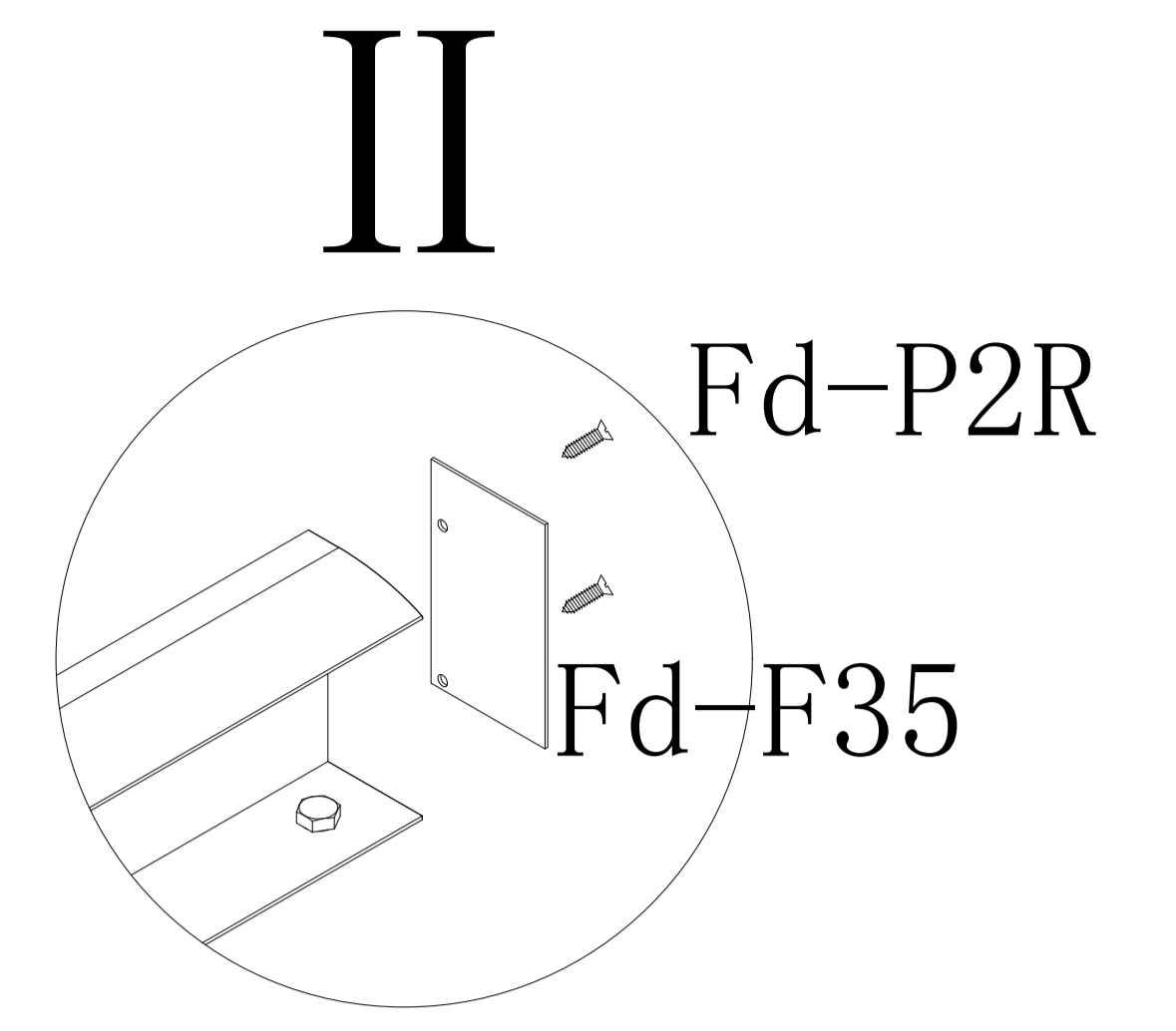
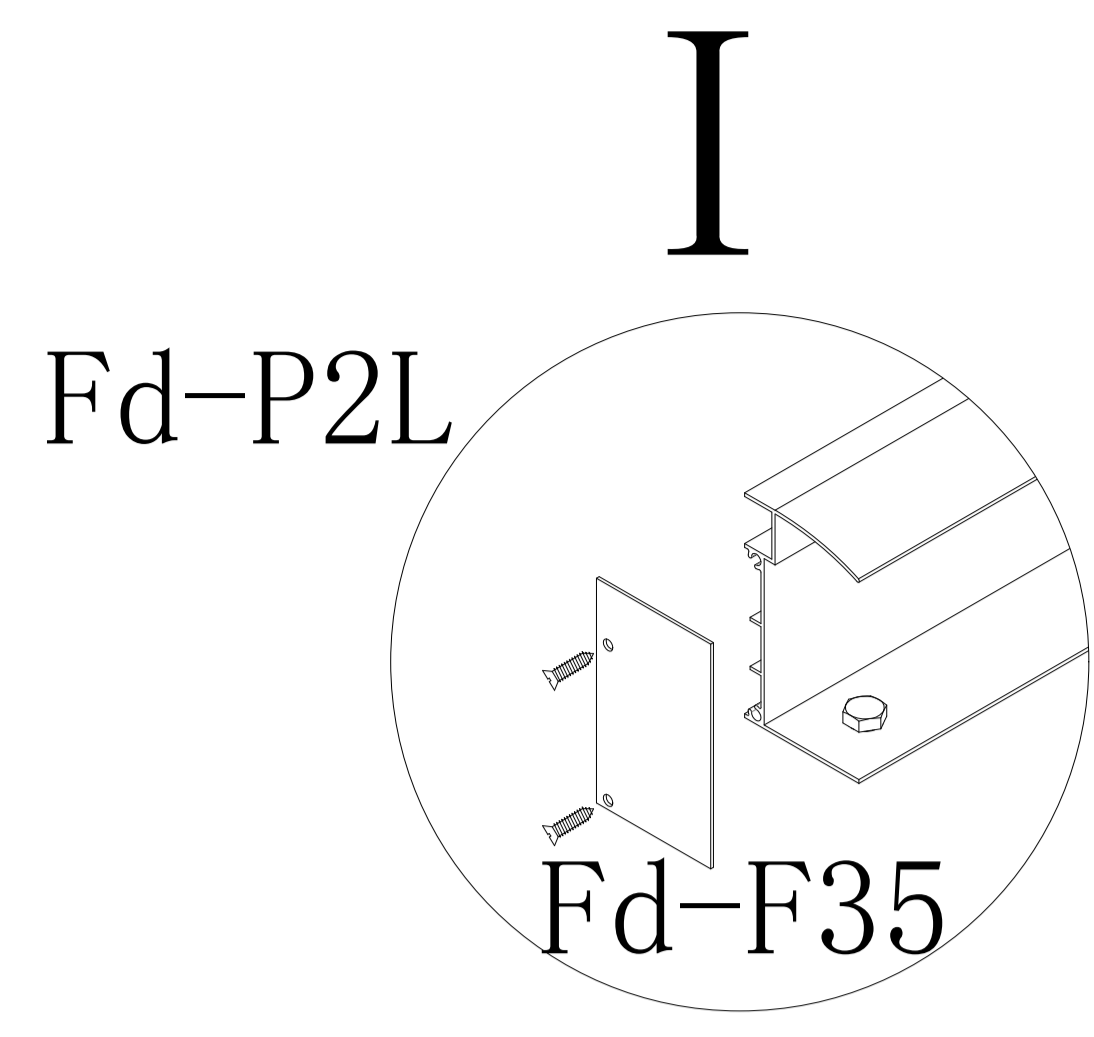
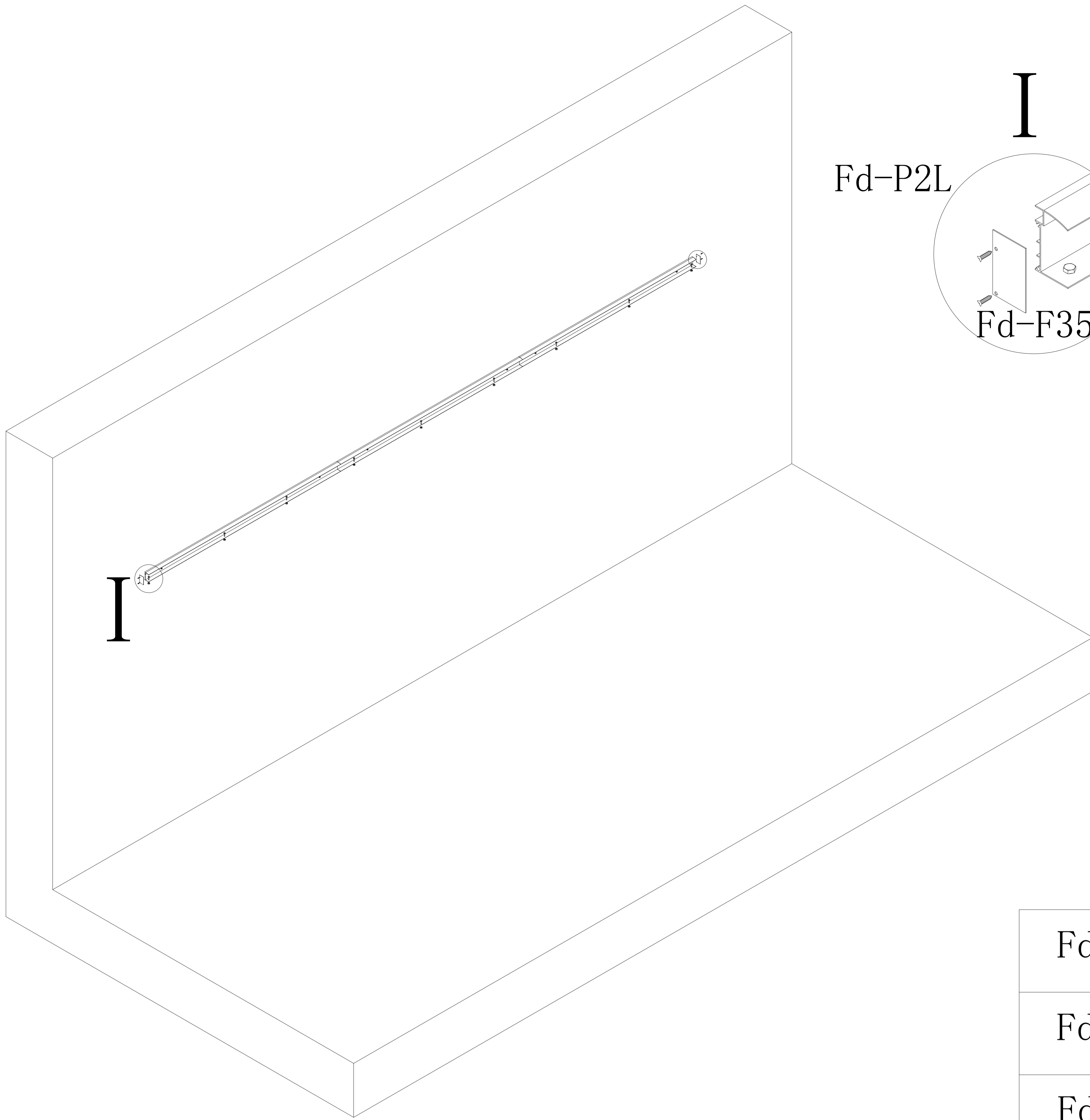
Fd-F30		5
--------	---	---



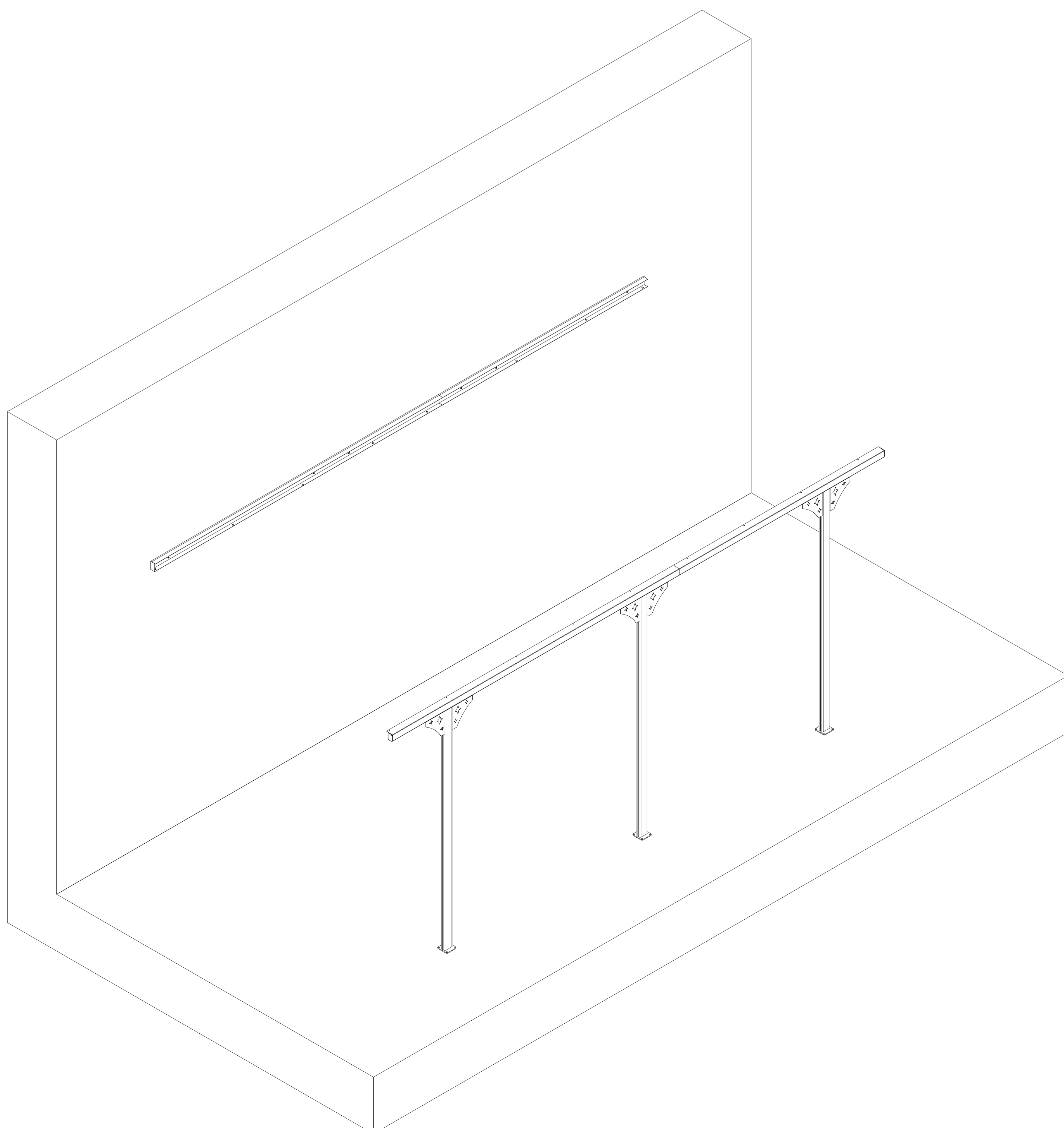
Fd-F32		5
--------	---	---

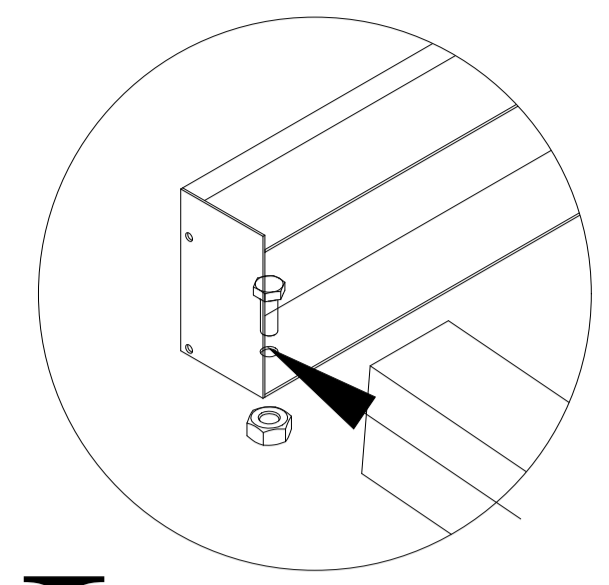


Fd-F27		9
Fd-F28		9

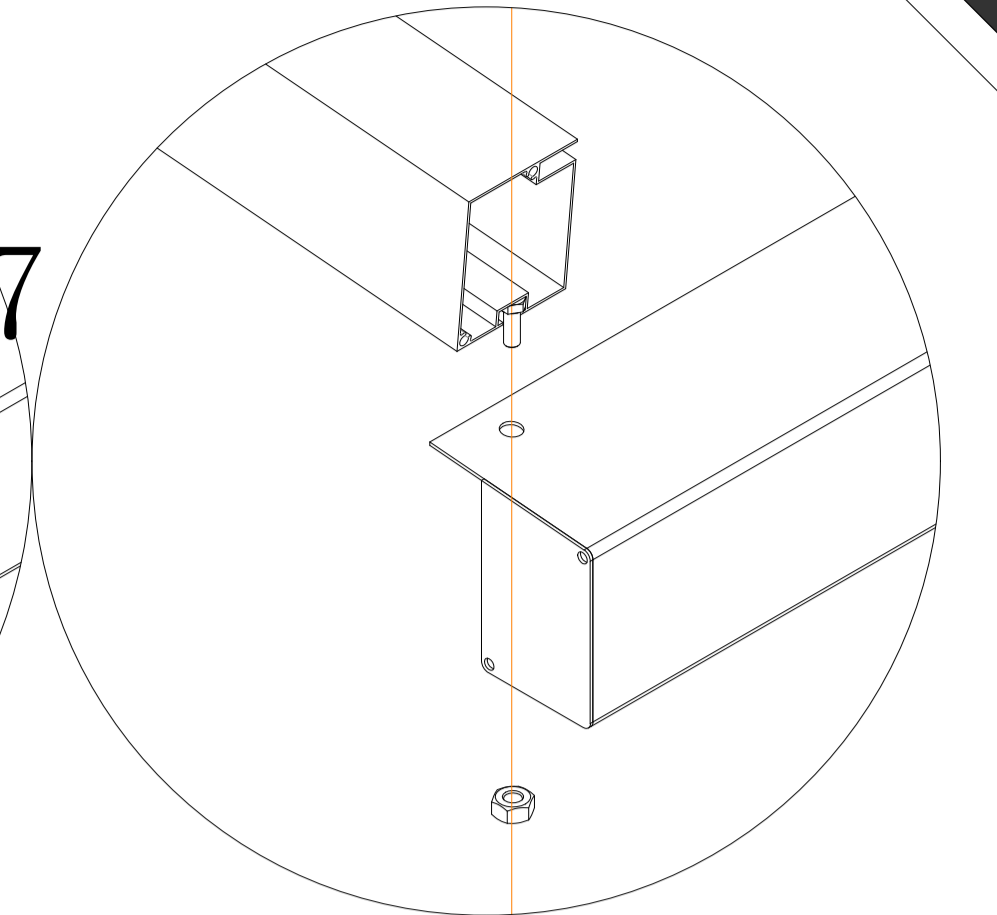
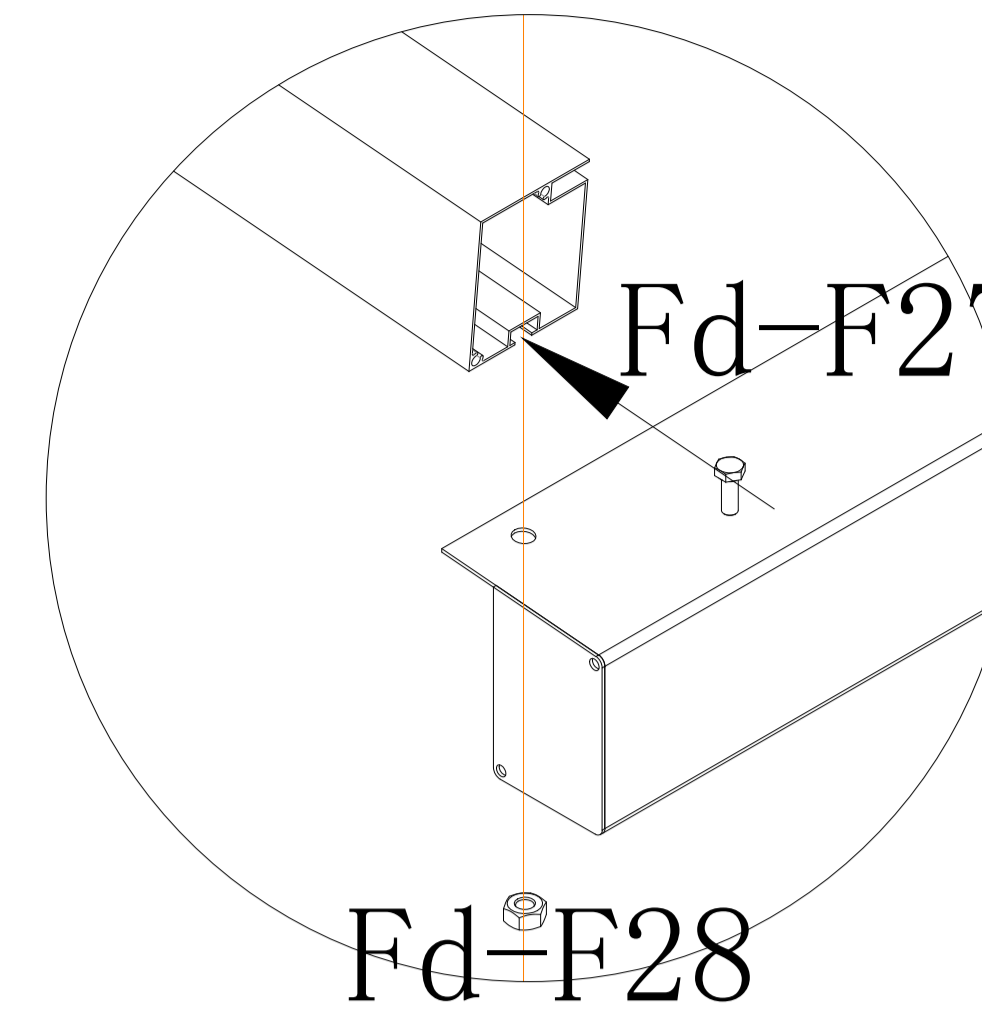
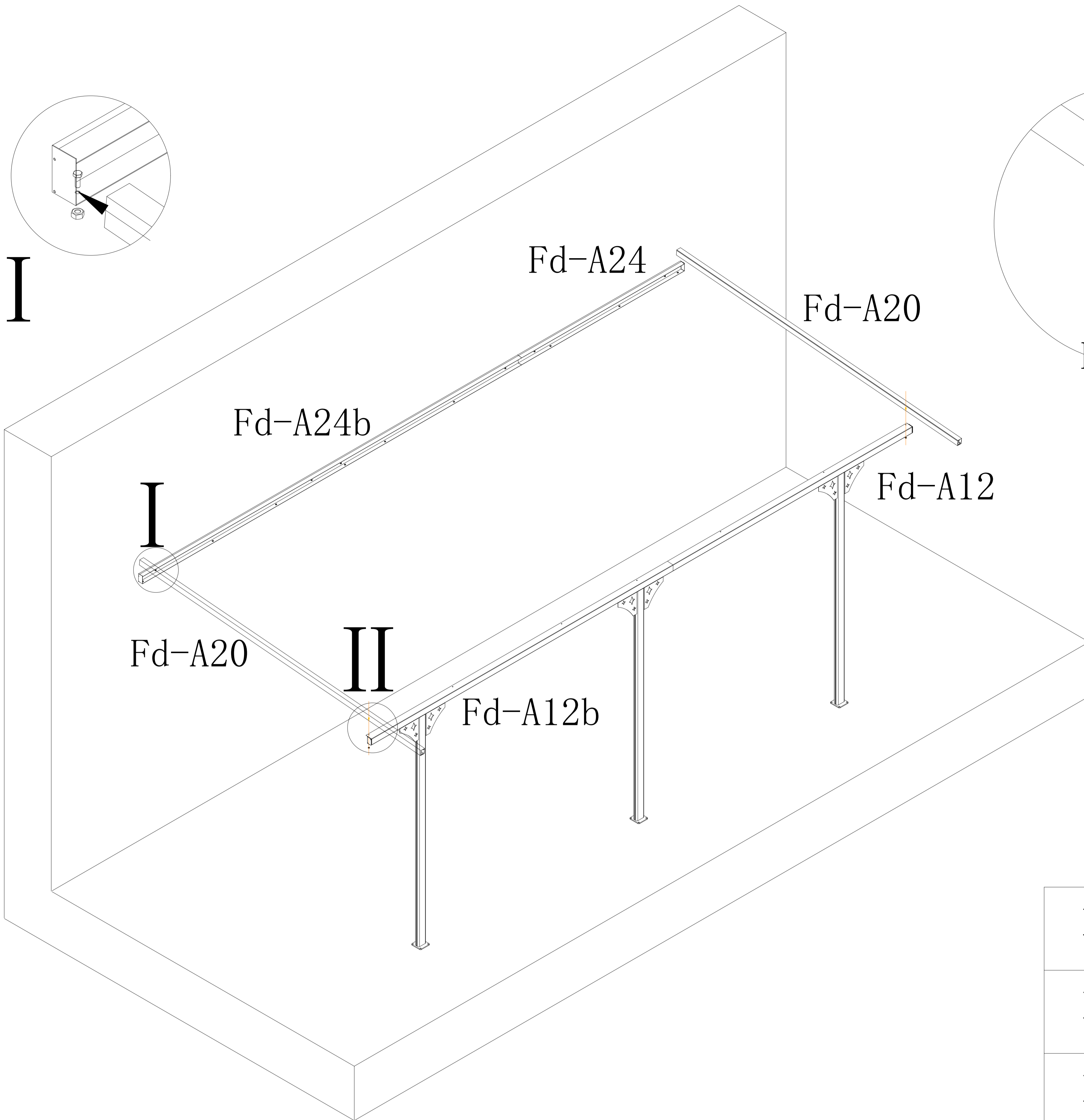


Fd-P2L		1
Fd-P2R		1
Fd-F35		4

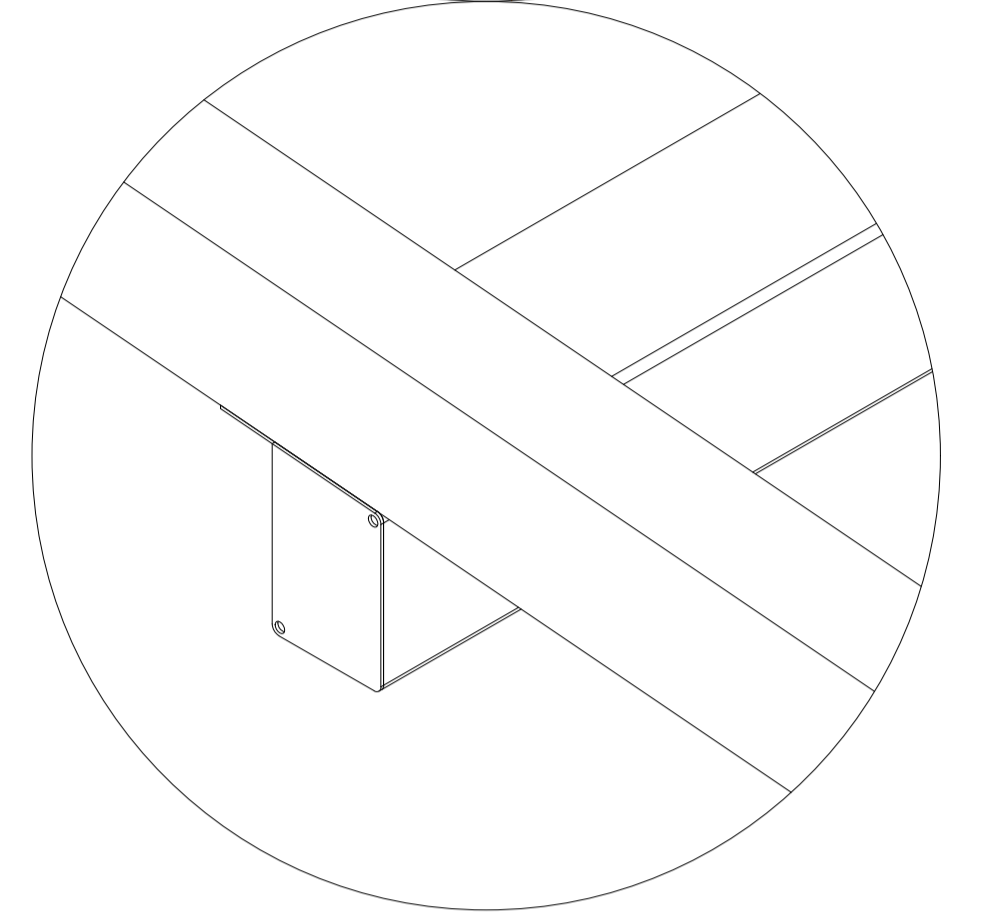




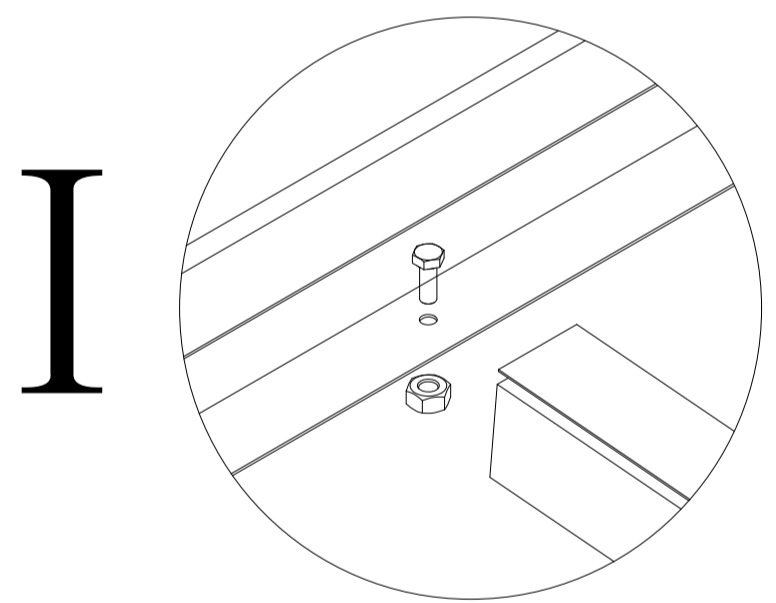
I



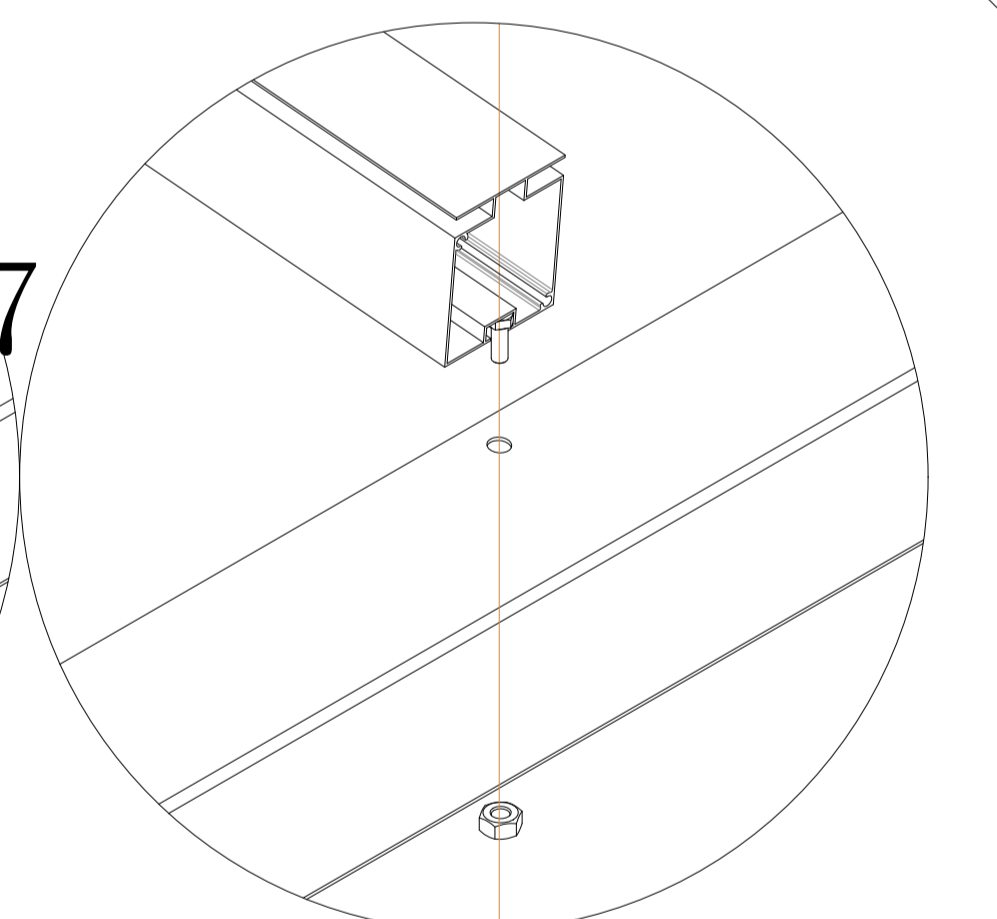
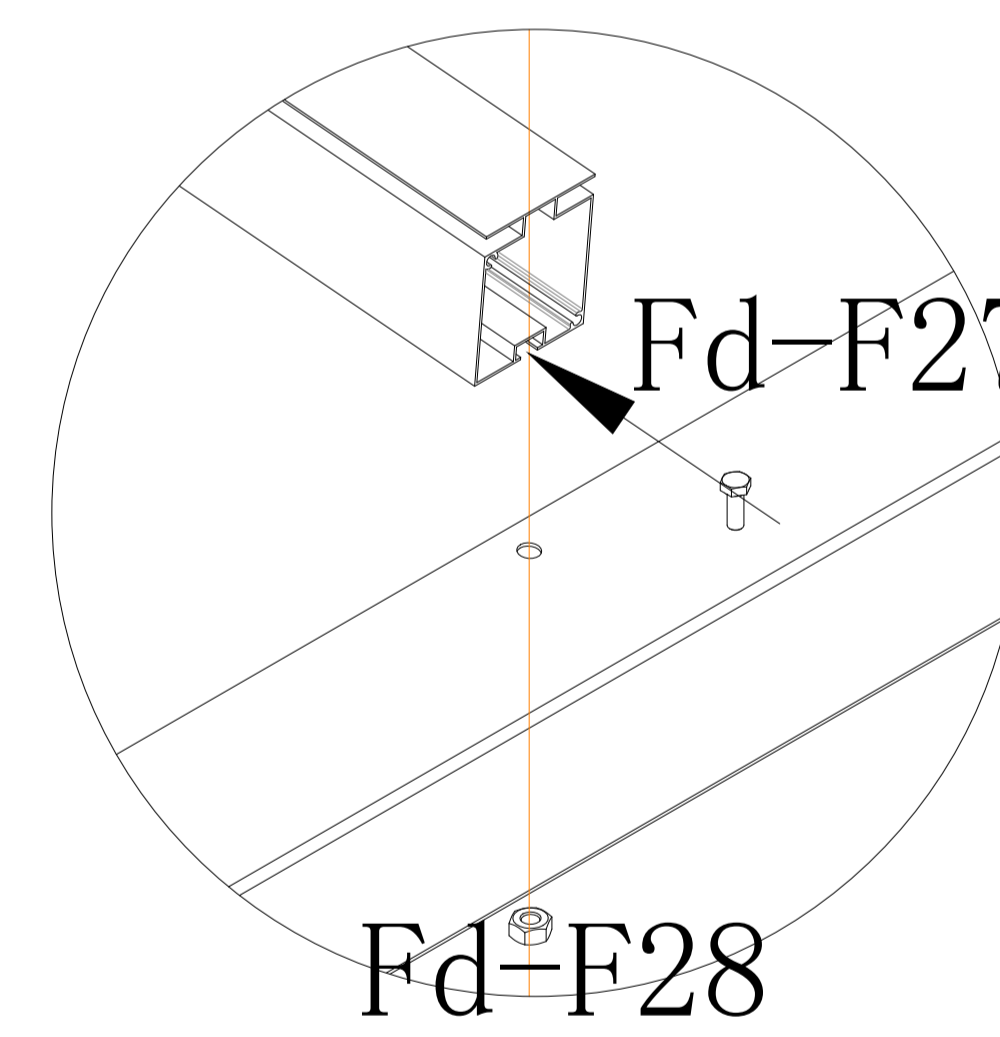
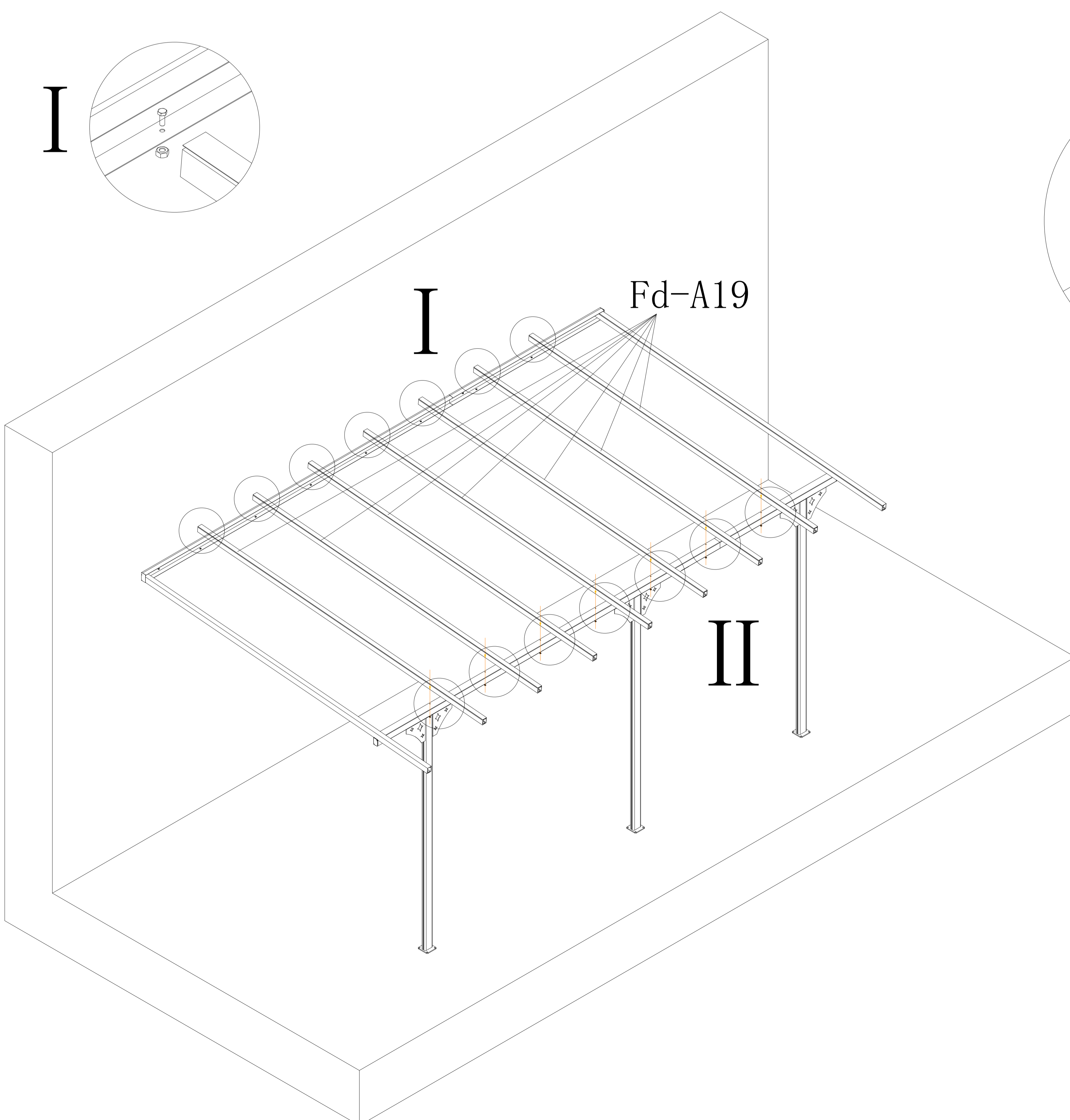
II



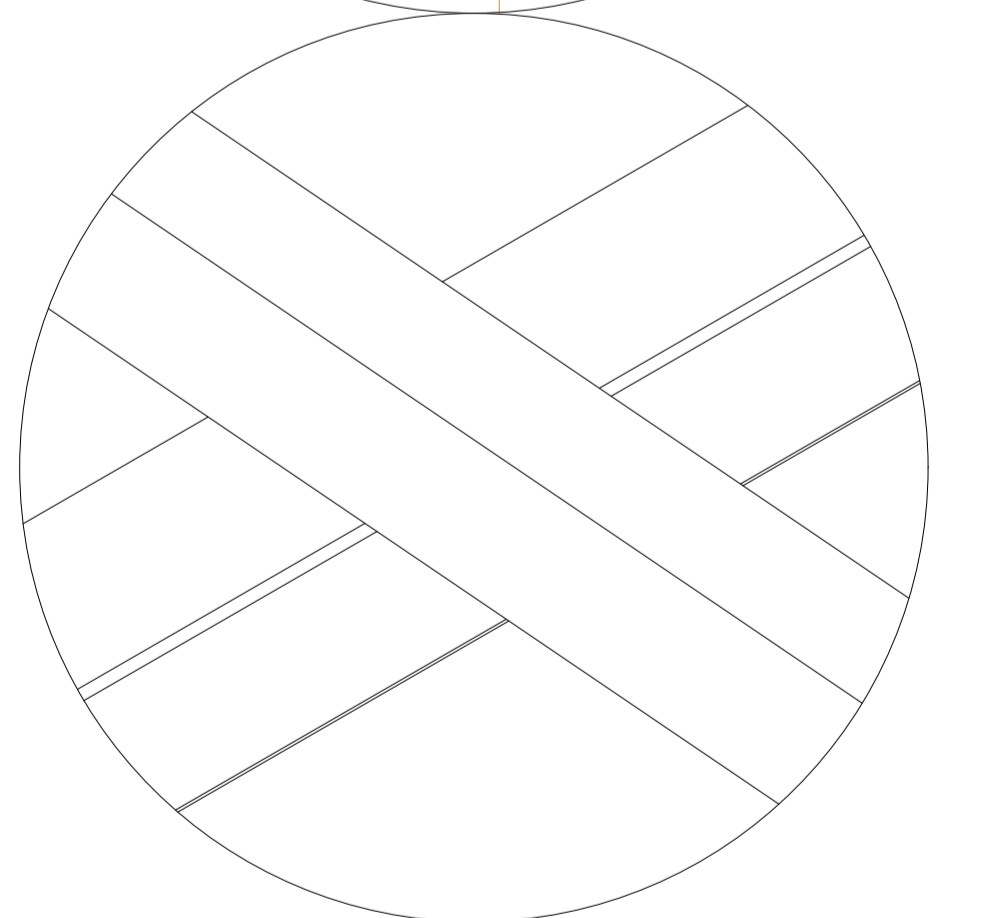
Fd-A20		2
Fd-F27		2
Fd-F28		2



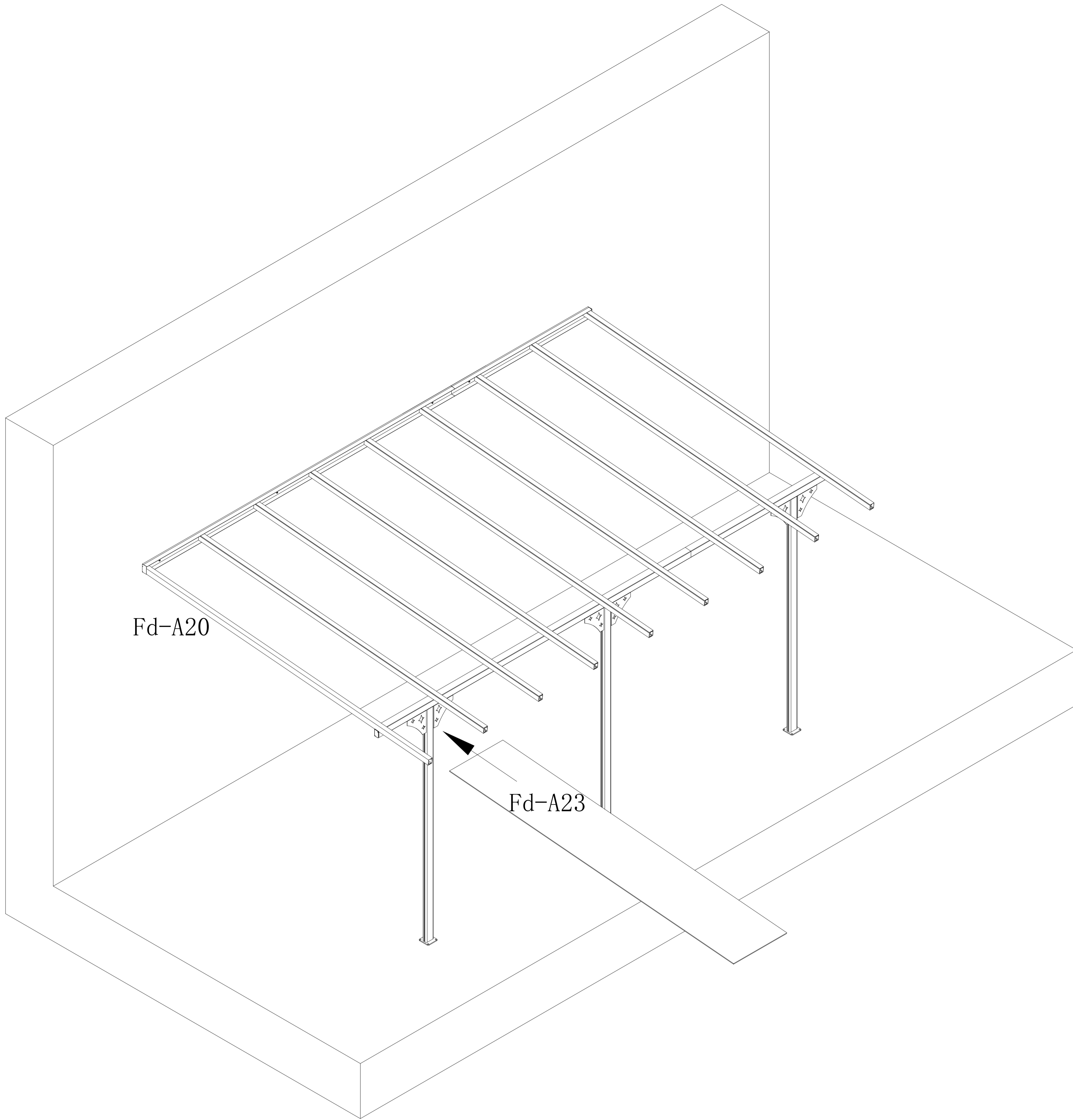
I




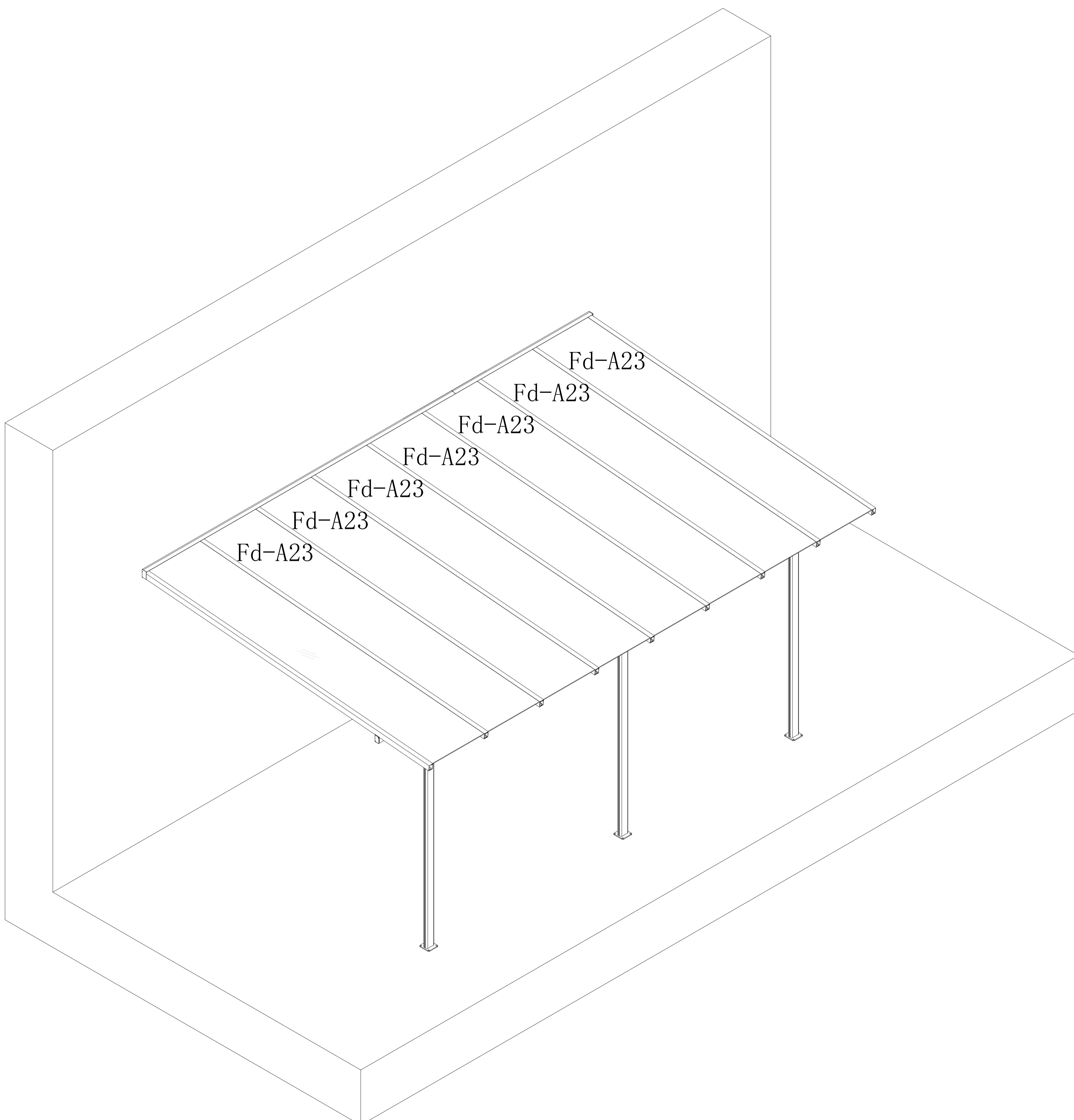
II

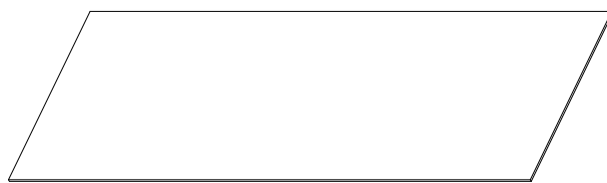


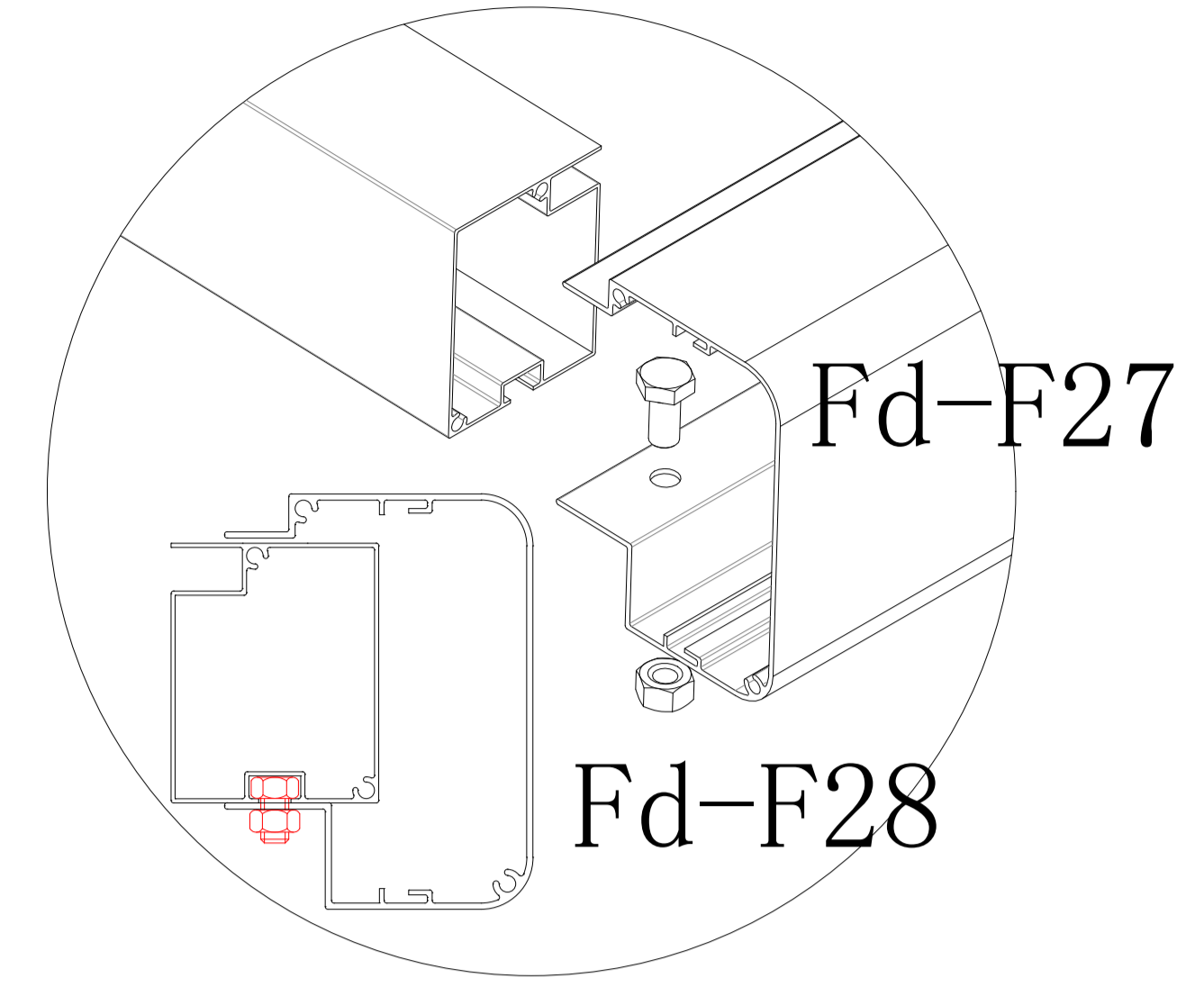
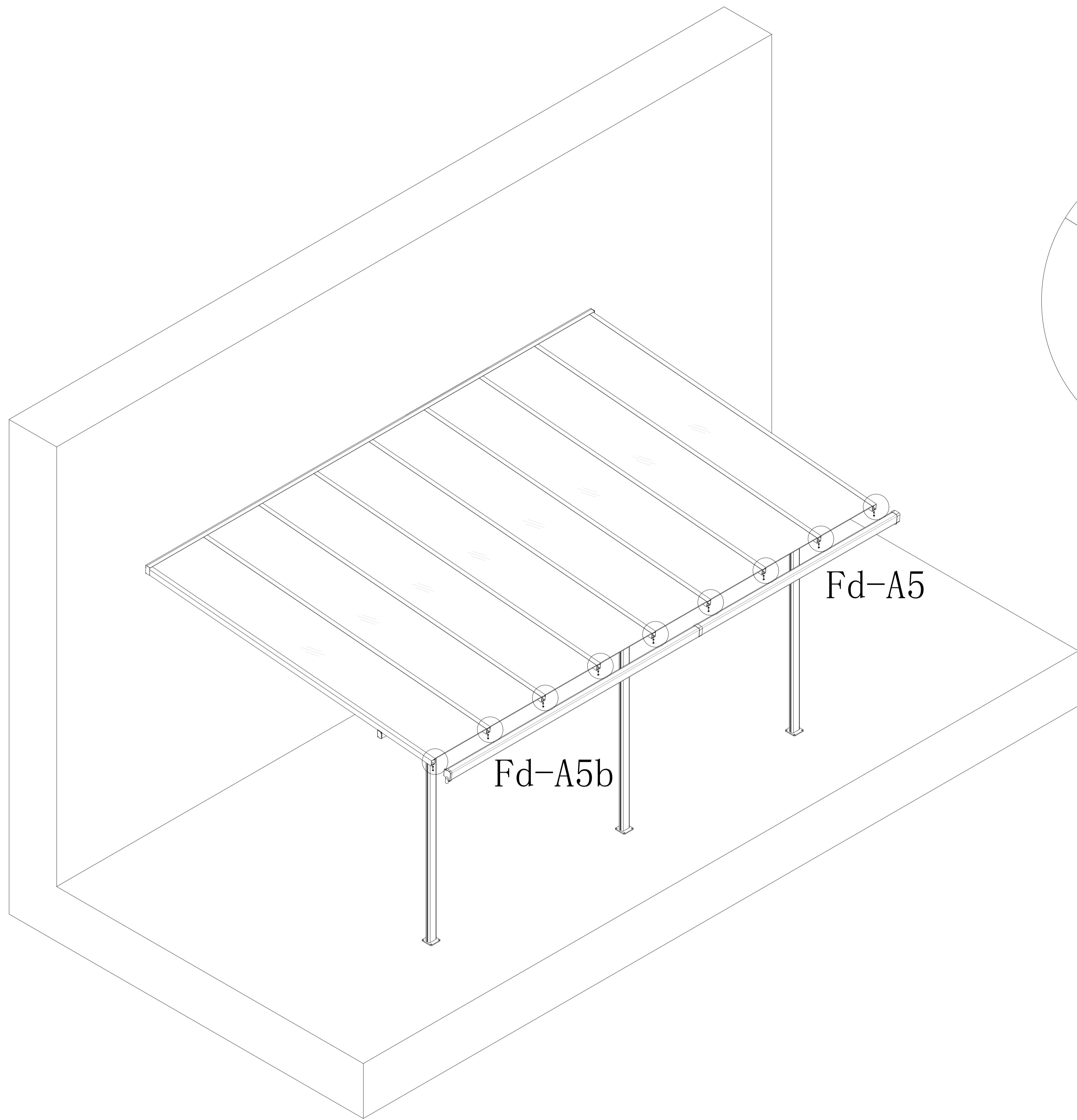
Fd-A19		7
Fd-F27		7
Fd-F28		7



Fd-A23		1
--------	---	---



Fd-A23		7
--------	---	---



Fd-A5		1
Fd-A5b		1
Fd-F27		9
Fd-F28		9

