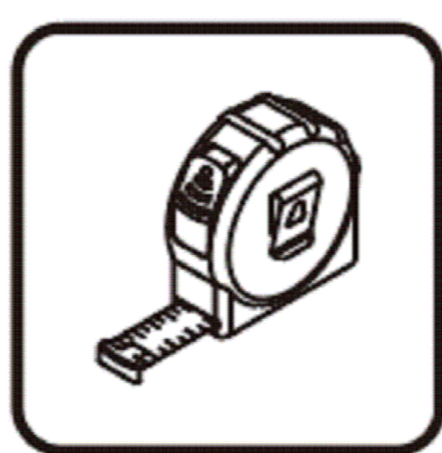
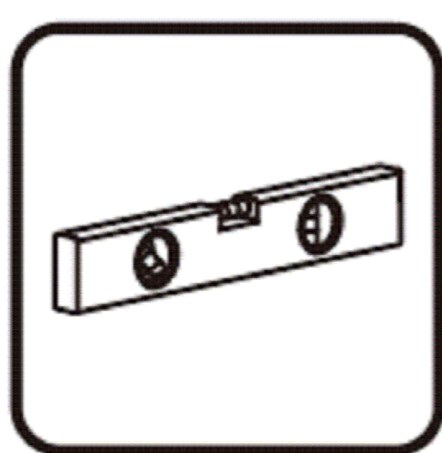
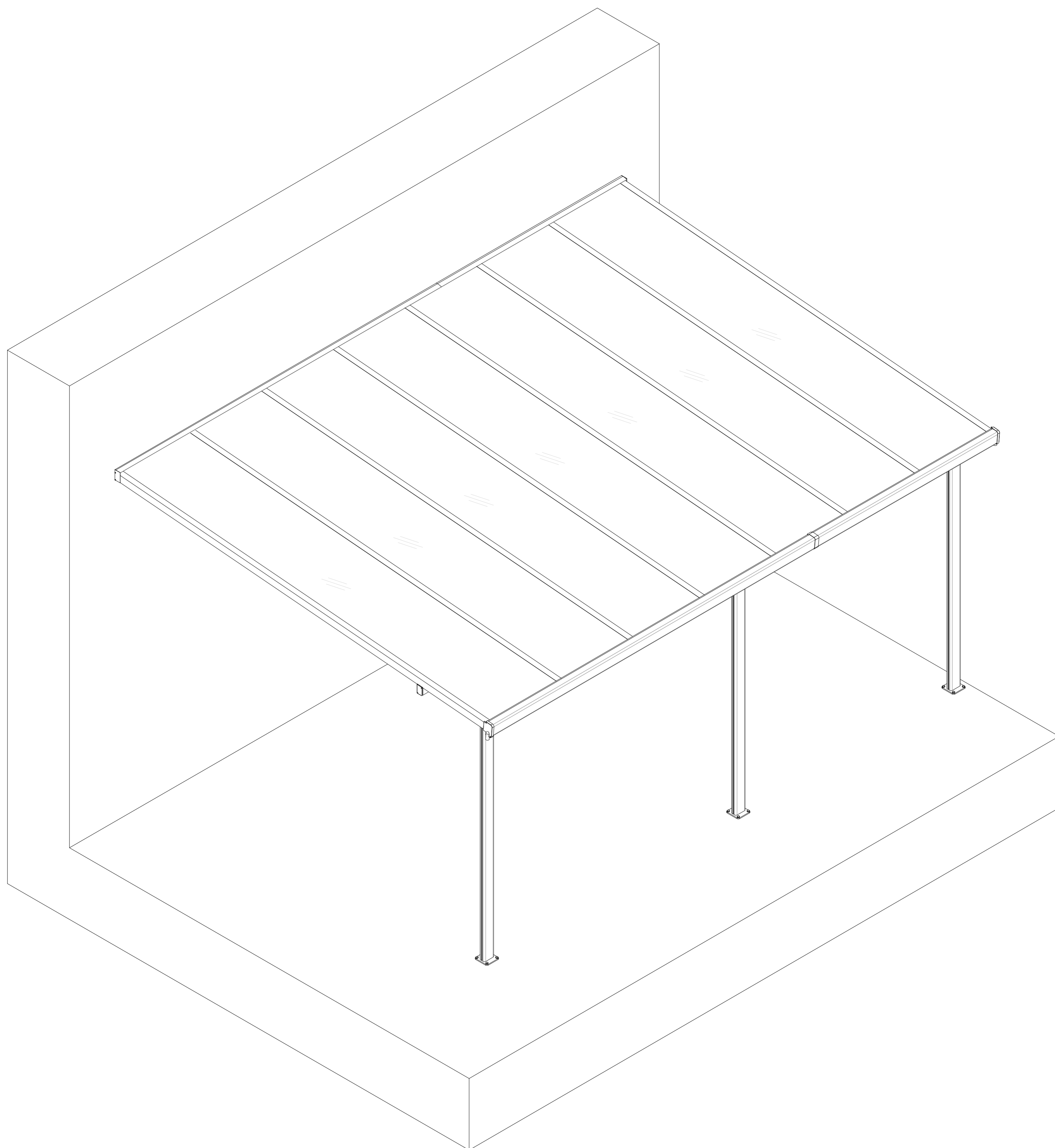
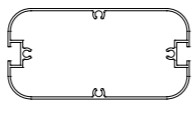
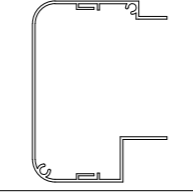
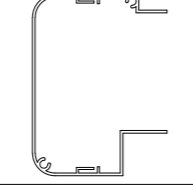
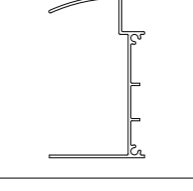
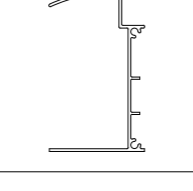
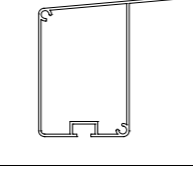
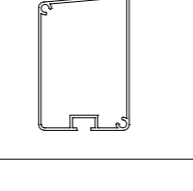
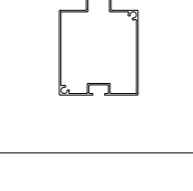
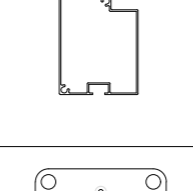
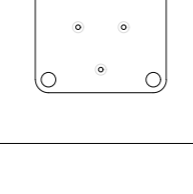
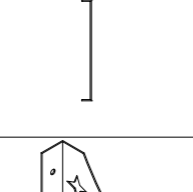
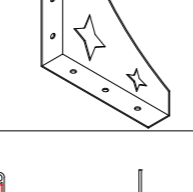
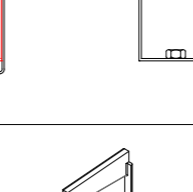
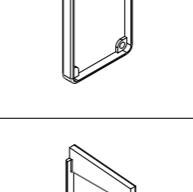
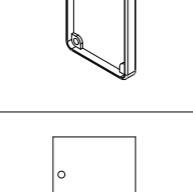
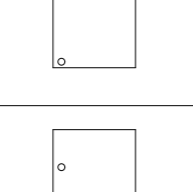
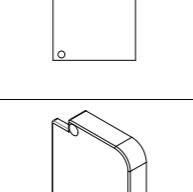
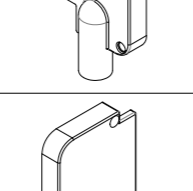
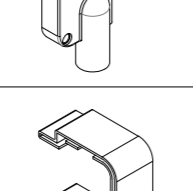
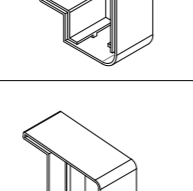
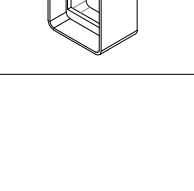
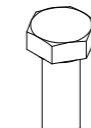

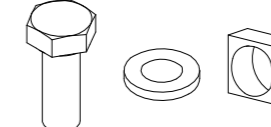
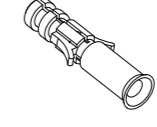
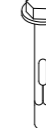
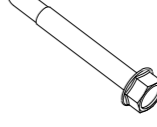


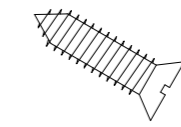



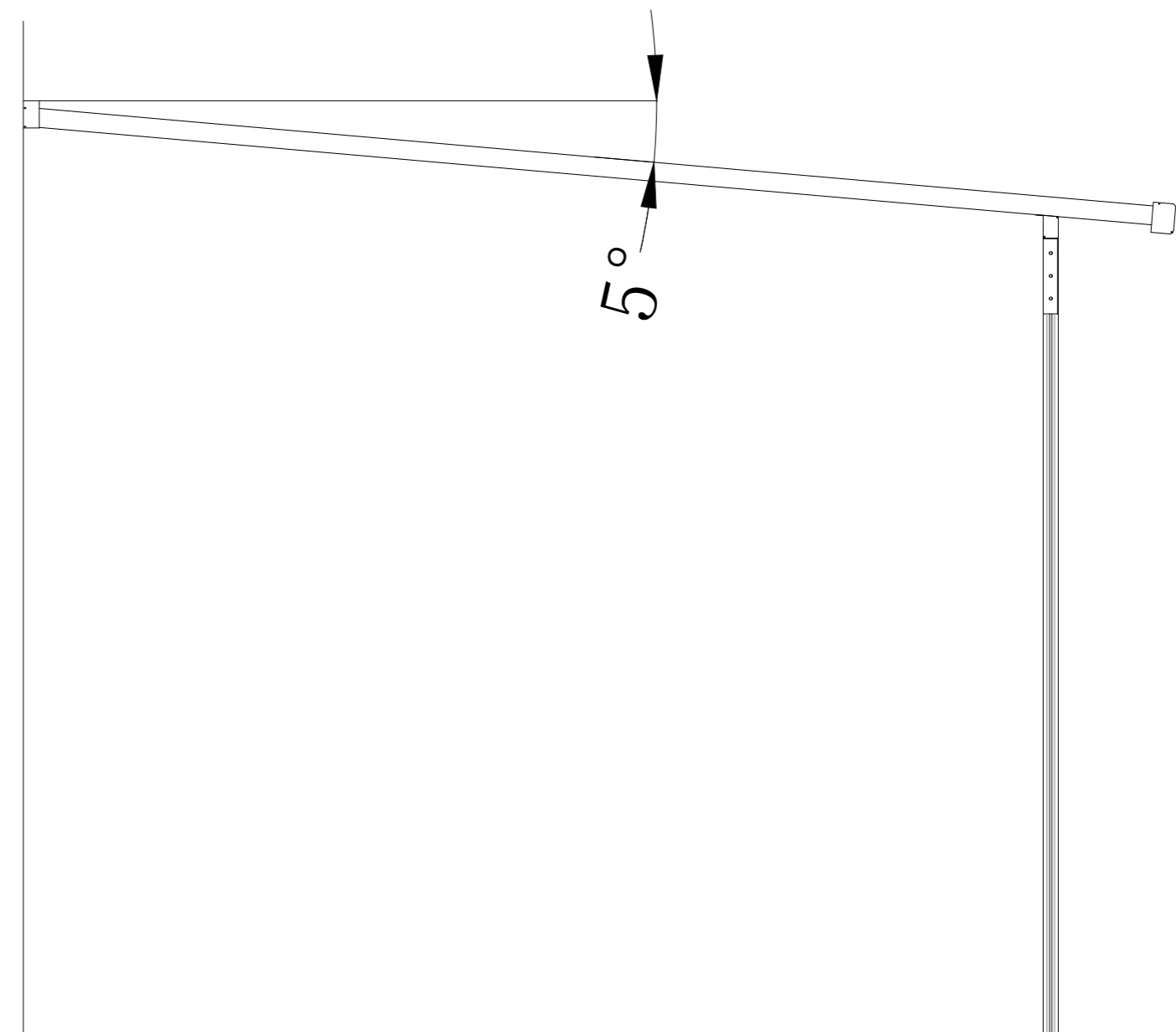
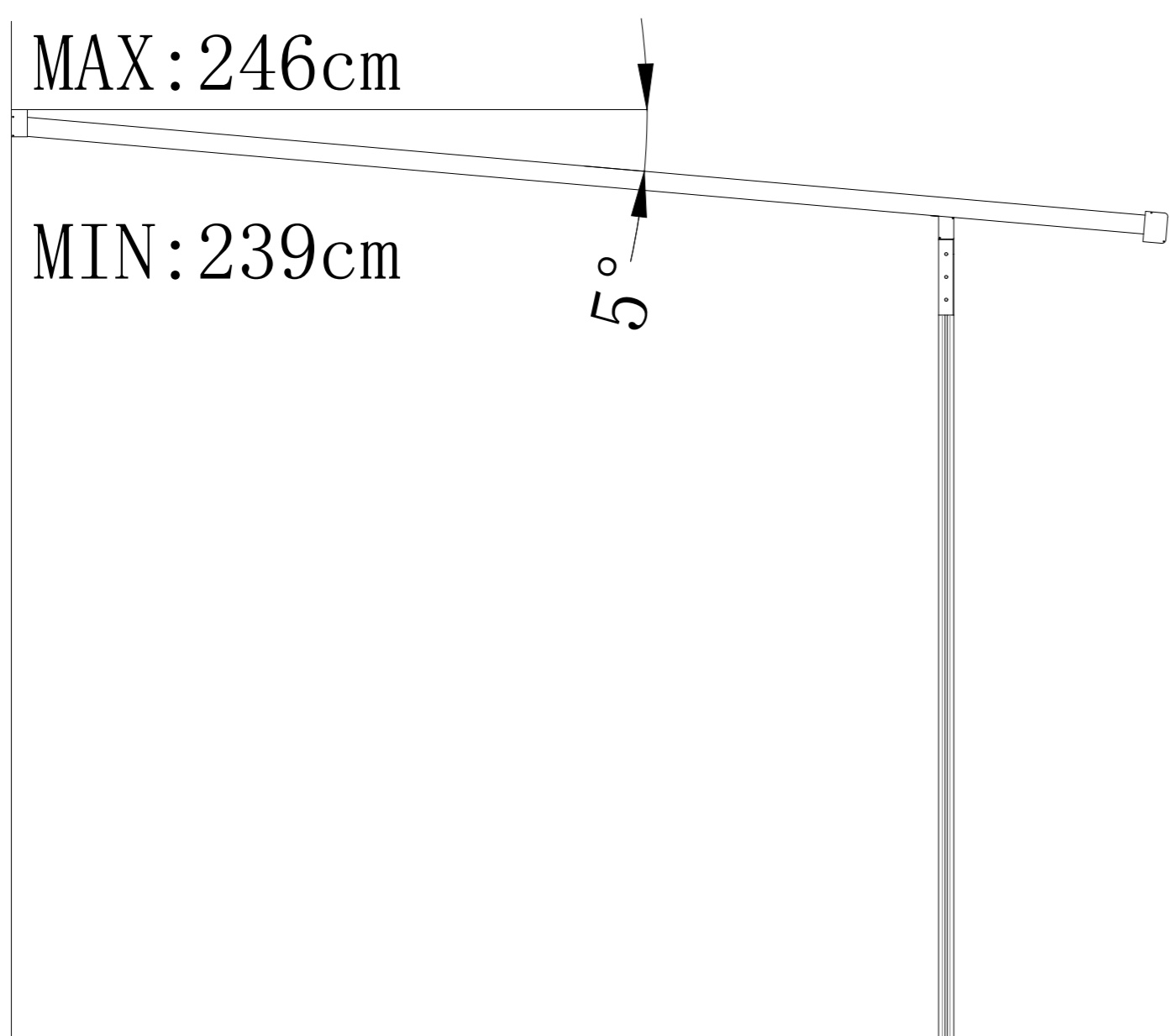
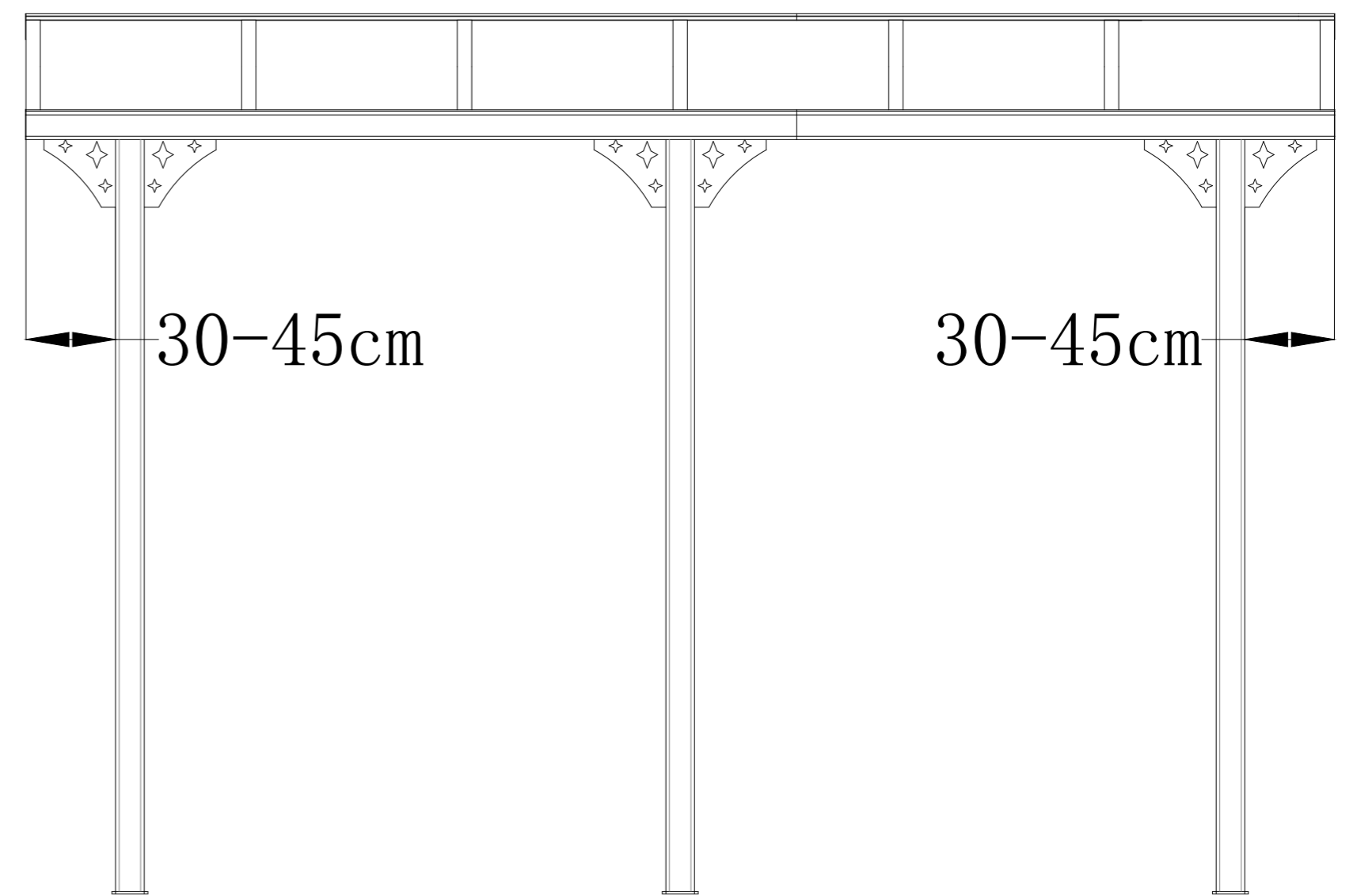
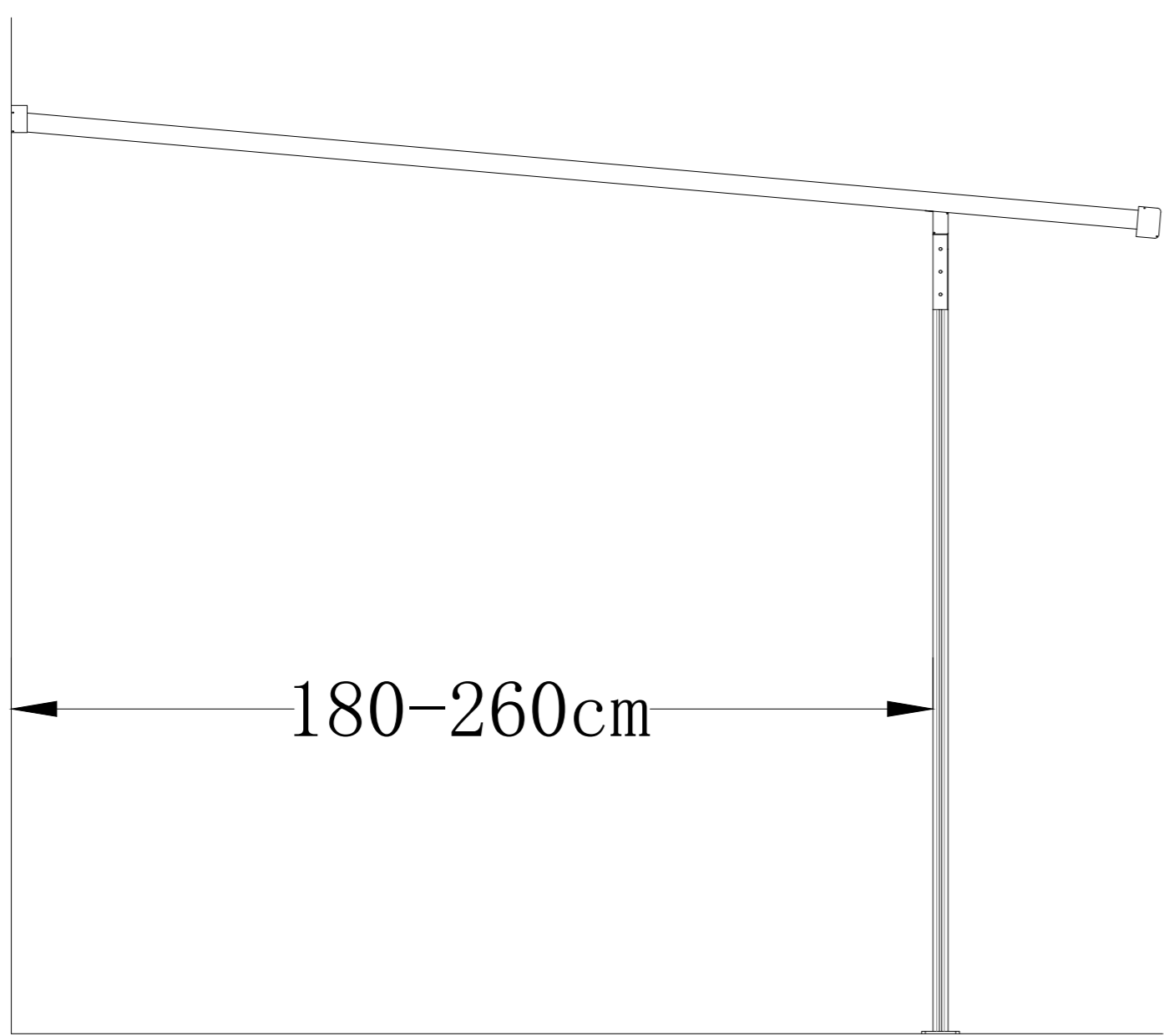
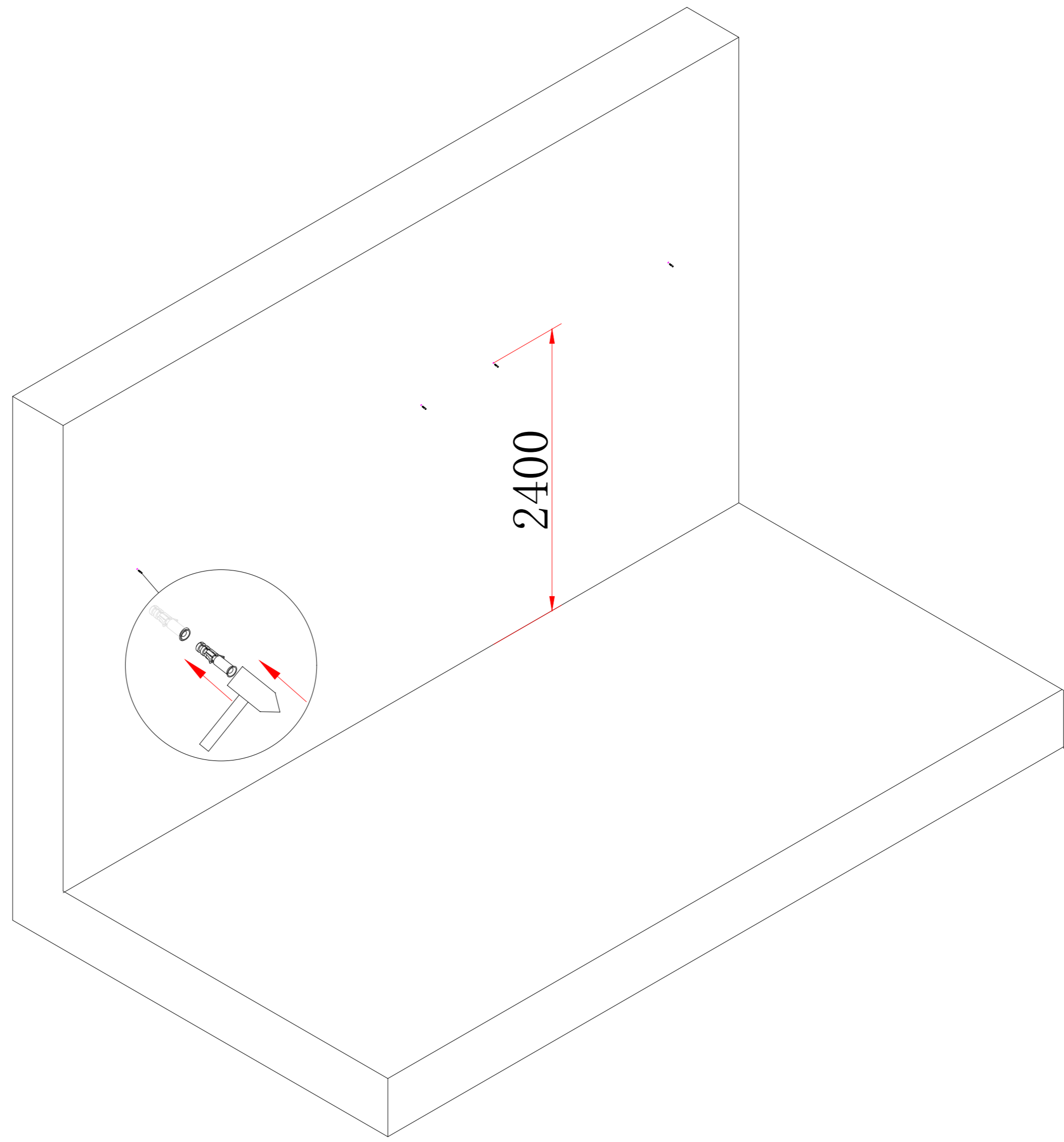
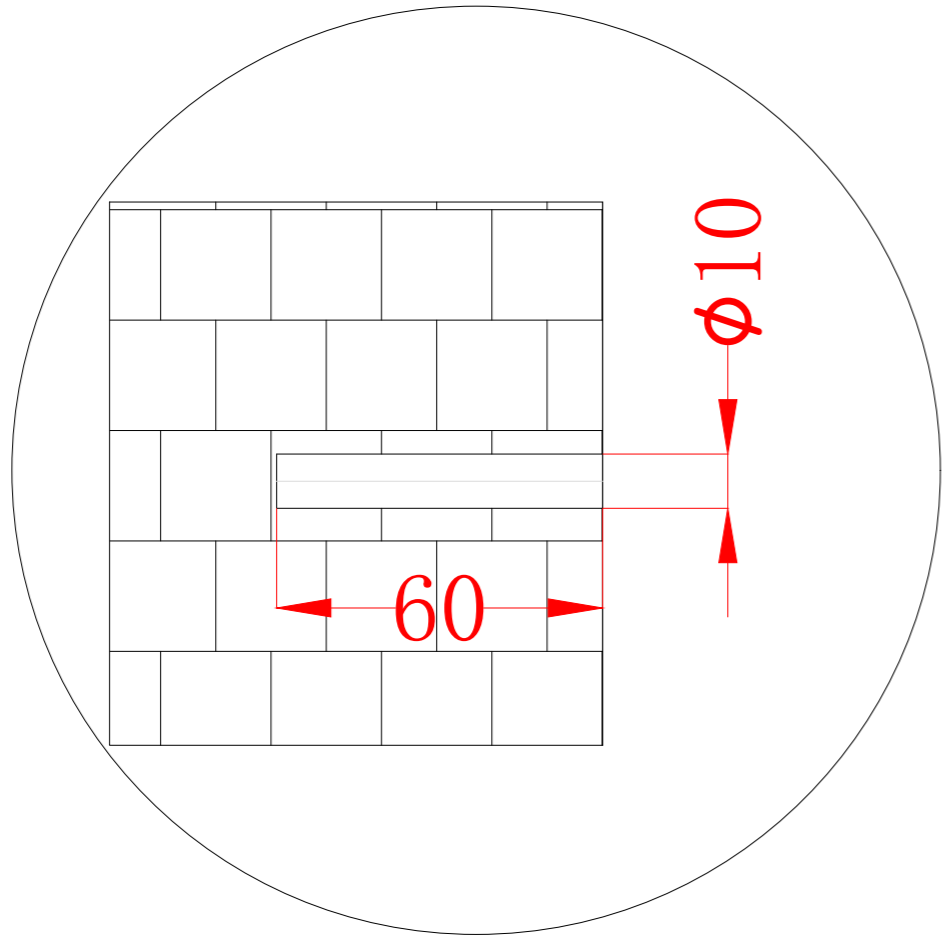
ALUMINIUM PATIO COVER 4X3M

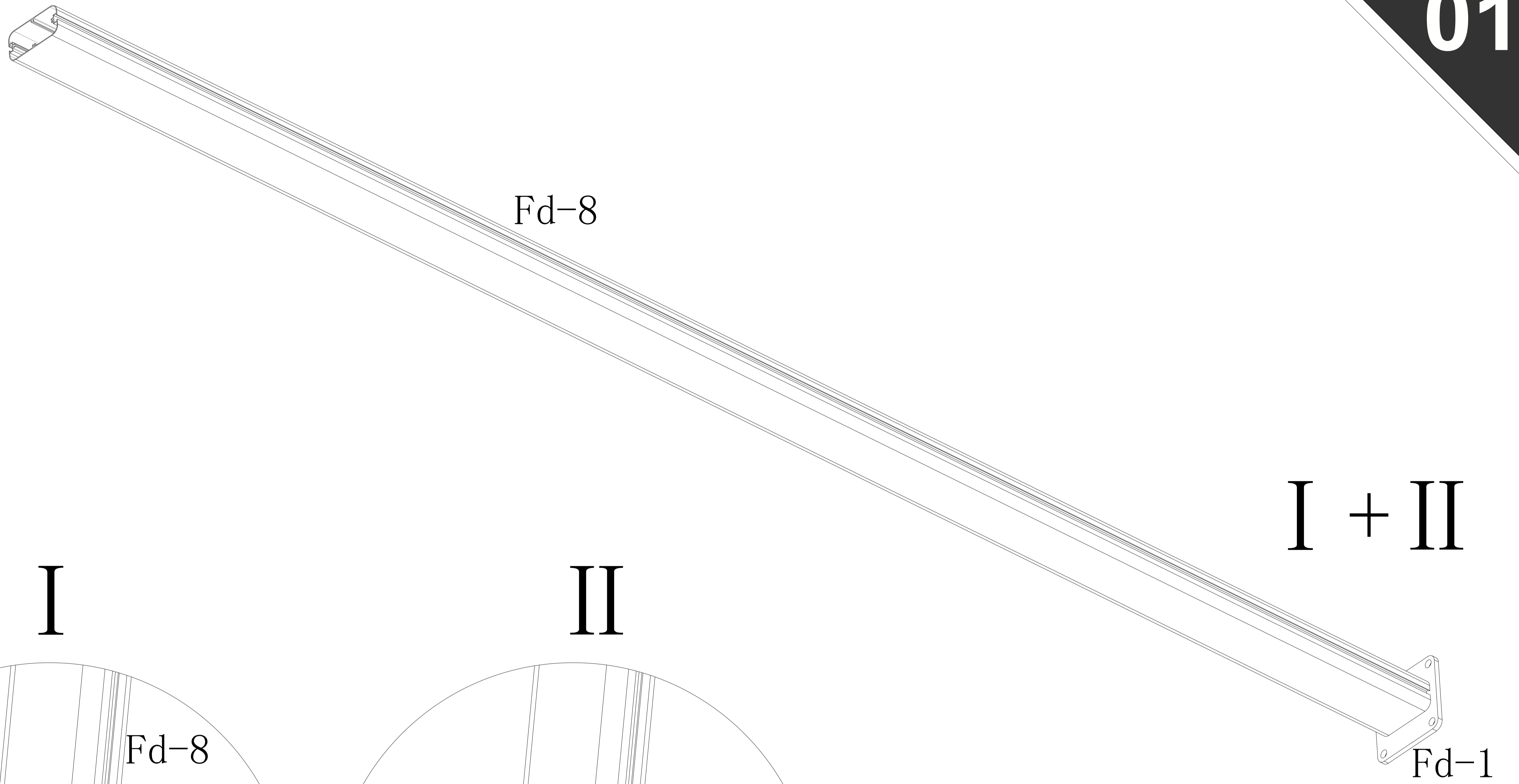


Name of parts	Section	QTY (pcs)
Box 1/2		
Fd-8		3
Fd-A5		1
Fd-A5b		1
Fd-A24		1
Fd-A24b		1
Fd-A12		1
Fd-A12b		1
Fd-A19		6
Fd-A20		2
Fd-1		3
Fa-2		1
Fd-4		6
Fd-12		1
Fd-P1L		1
Fd-P1R		1
Fd-P2L		1
Fd-P2R		1
Fd-P3L		1
Fd-P3R		1
Fd-P5		1
Fd-P6		1

Name of parts	Section	QTY (pcs)
Box 1/2		
Fd-F27		60+2
Fd-F28		60+2
Fd-F29		4
Fd-F30		4
Fd-F31		12
Fd-F32		4
Fd-F33		12
Fd-F34		4
Fd-F35		12
instruction manual		1

Name of parts	Section	QTY (pcs)
Box 2/2		
Fd-A23		7

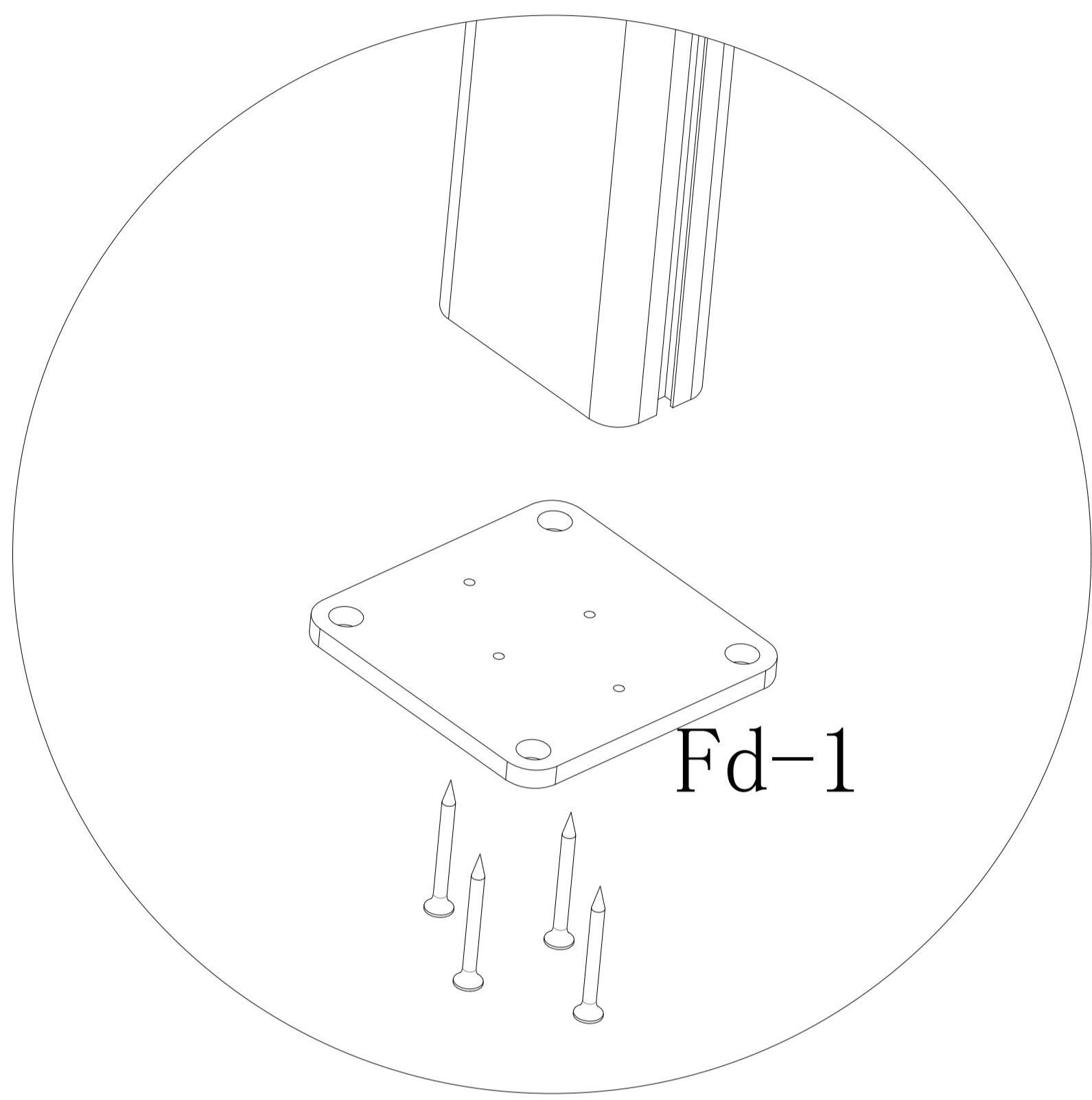
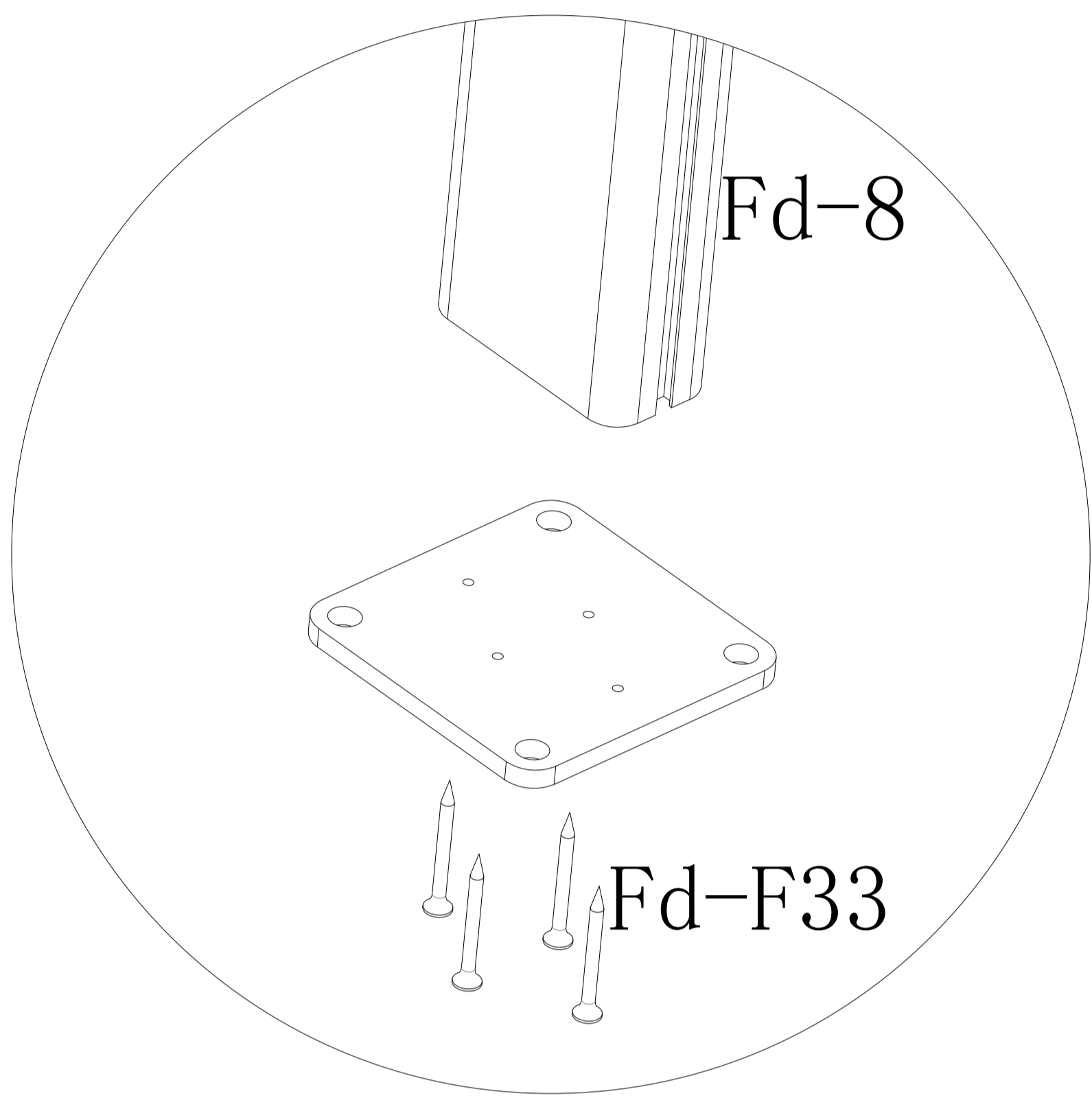




I

II

I + II

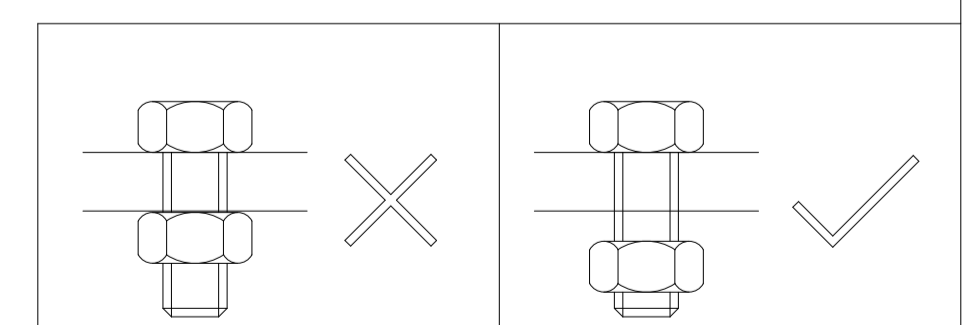
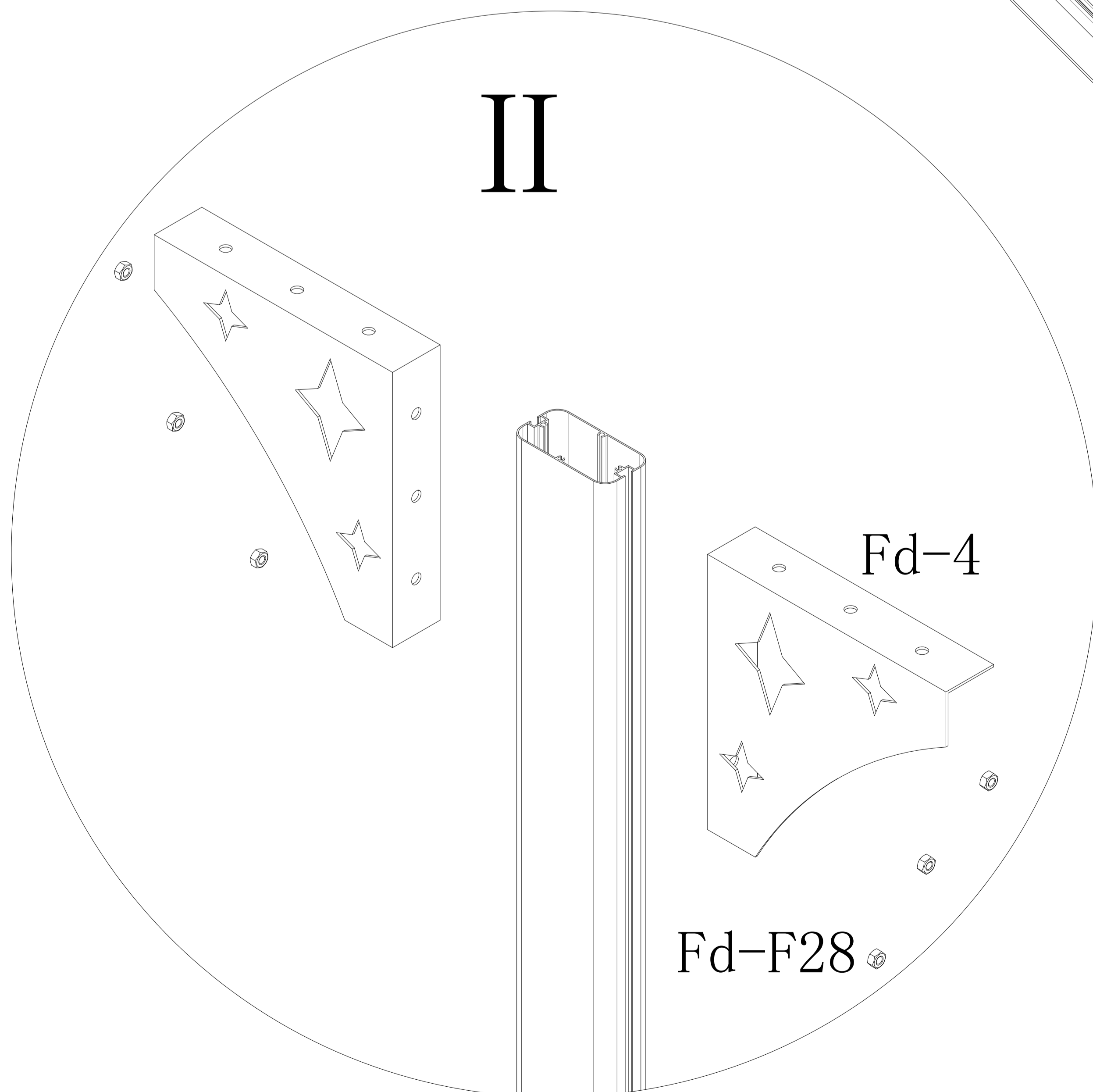
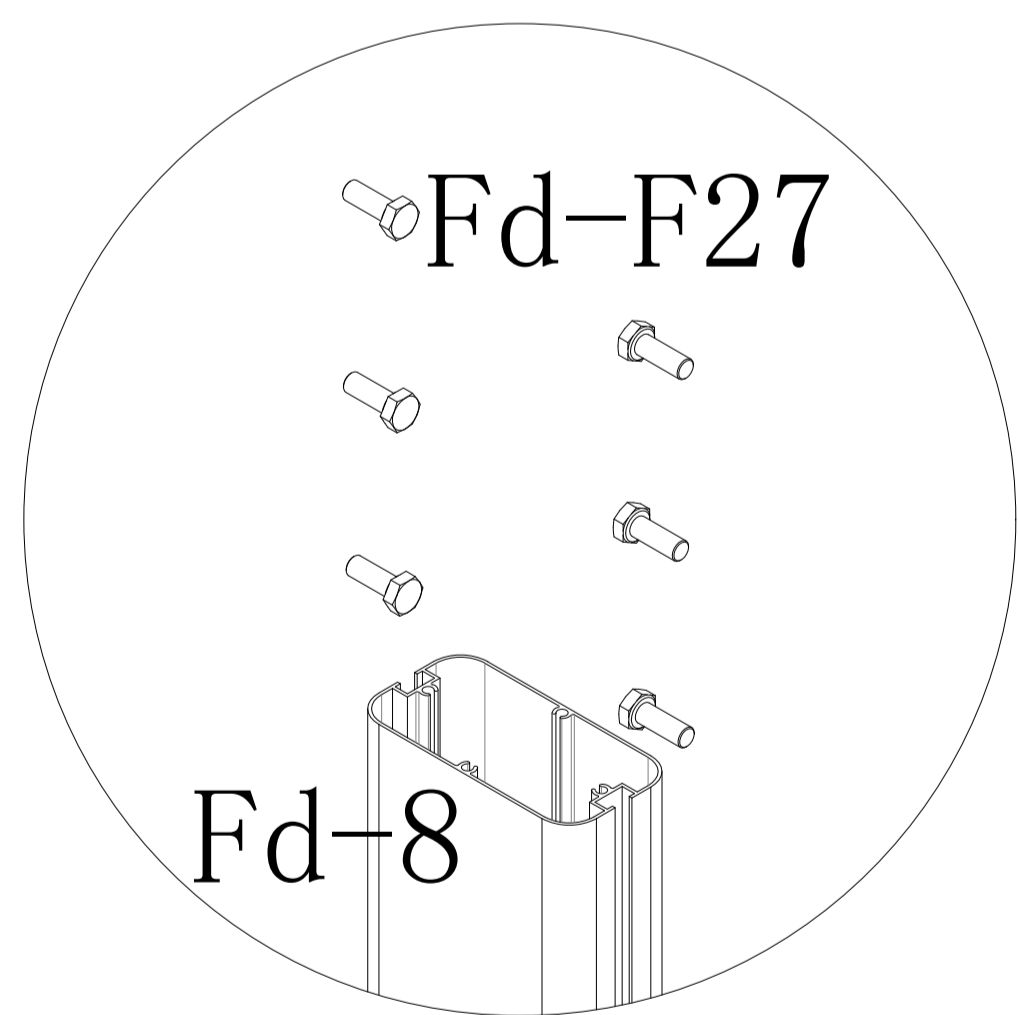
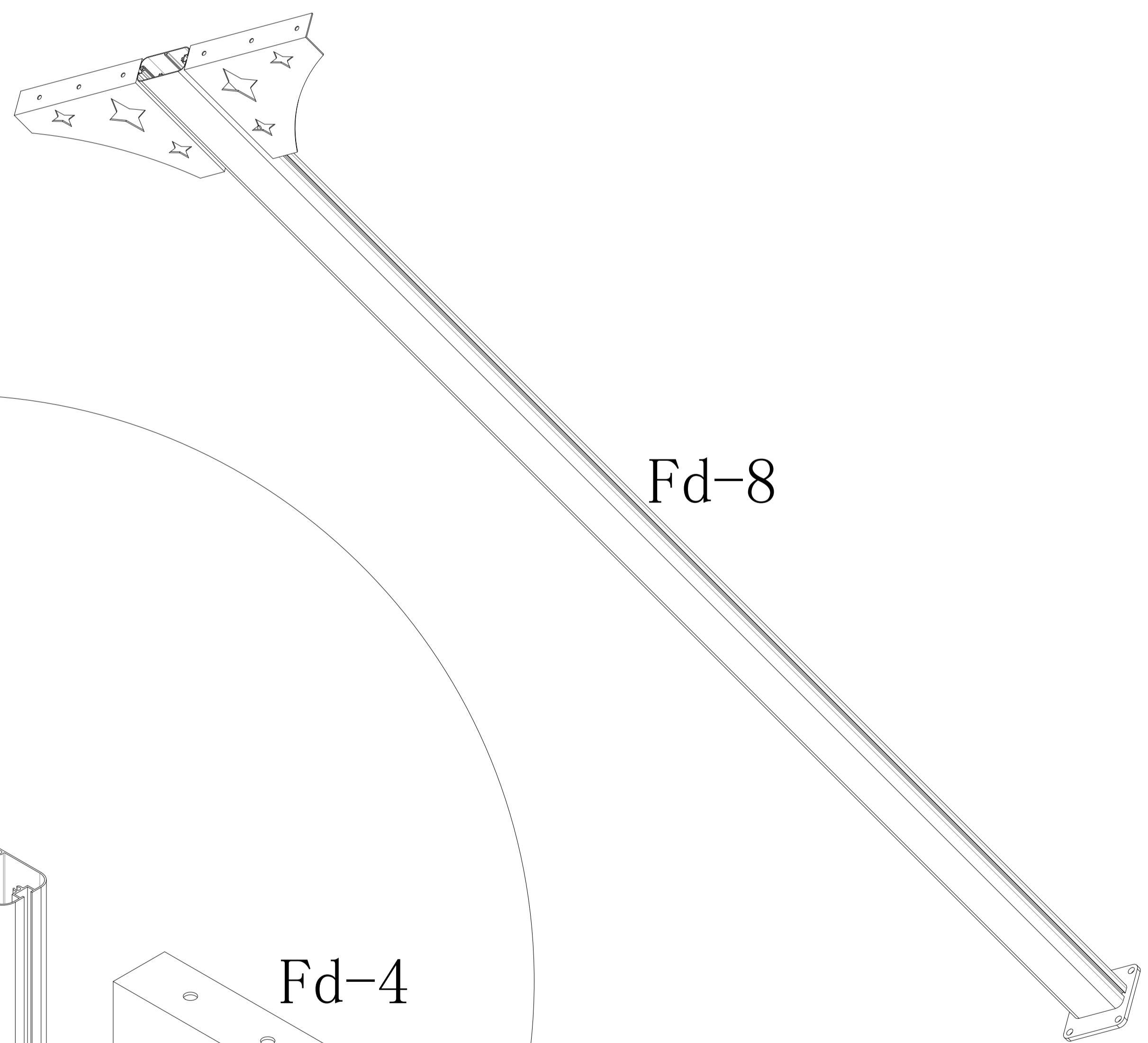


Fd-1		3
Fd-8		3
Fd-F33		12

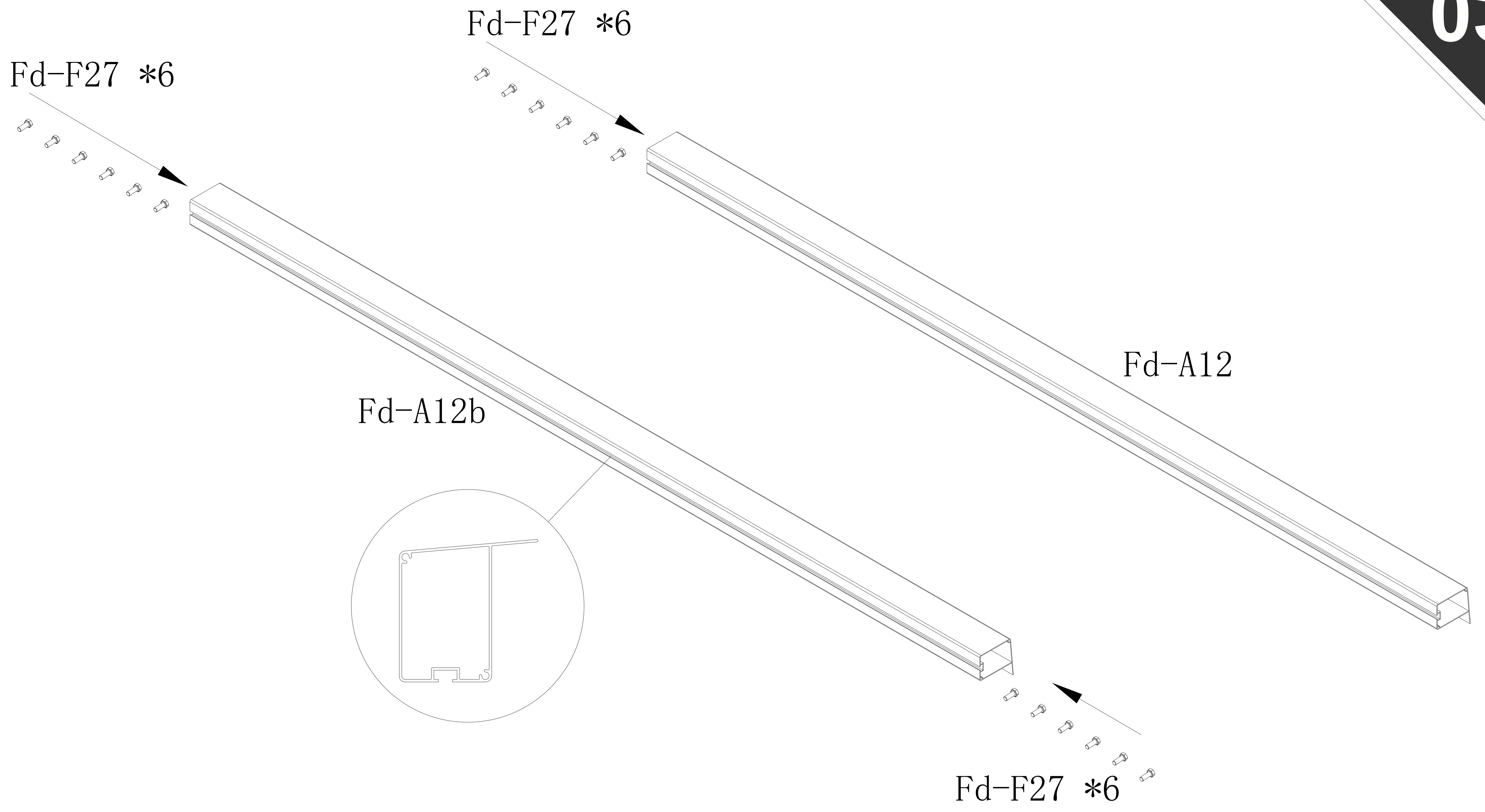
I + II

I

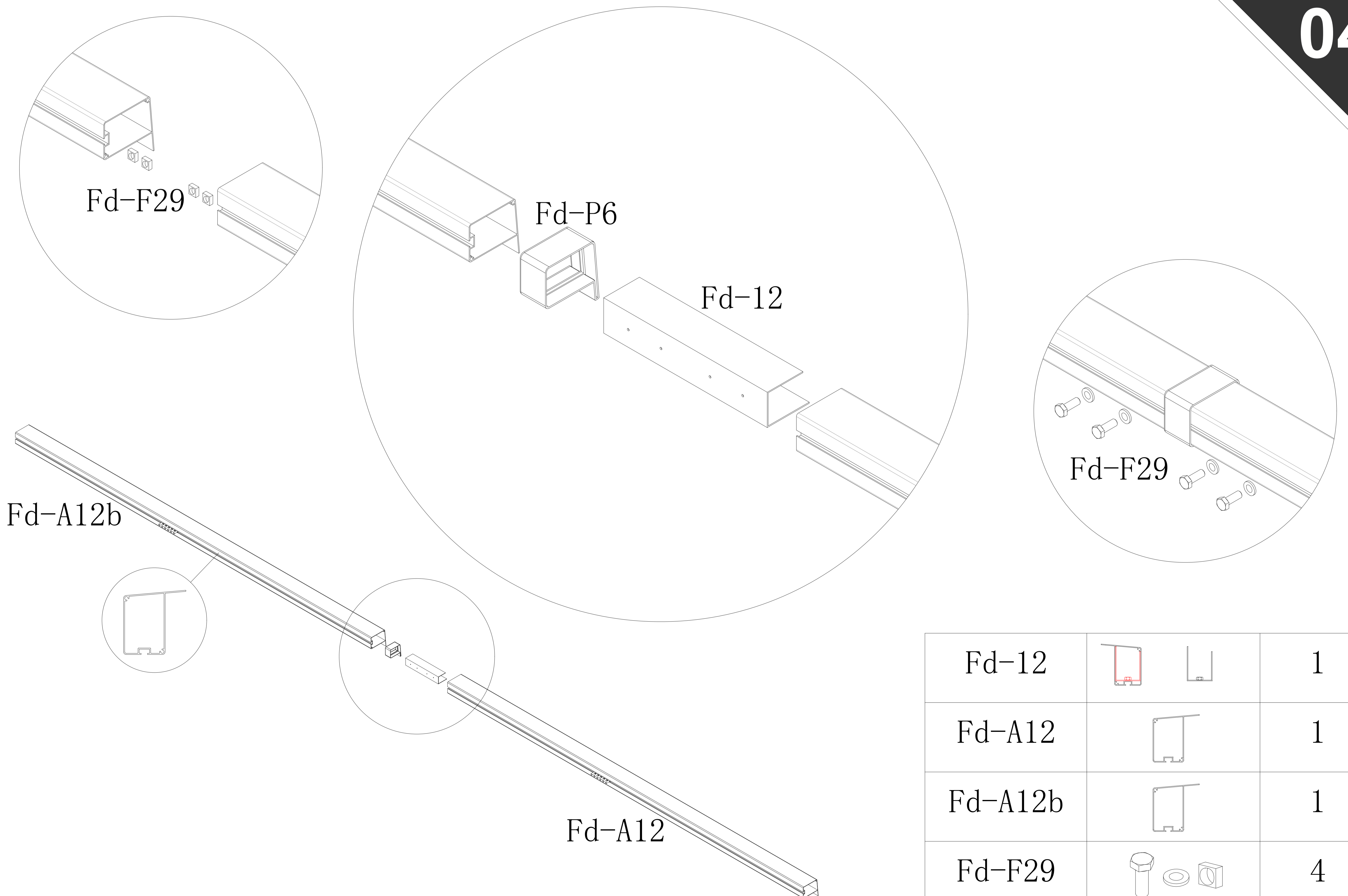
II



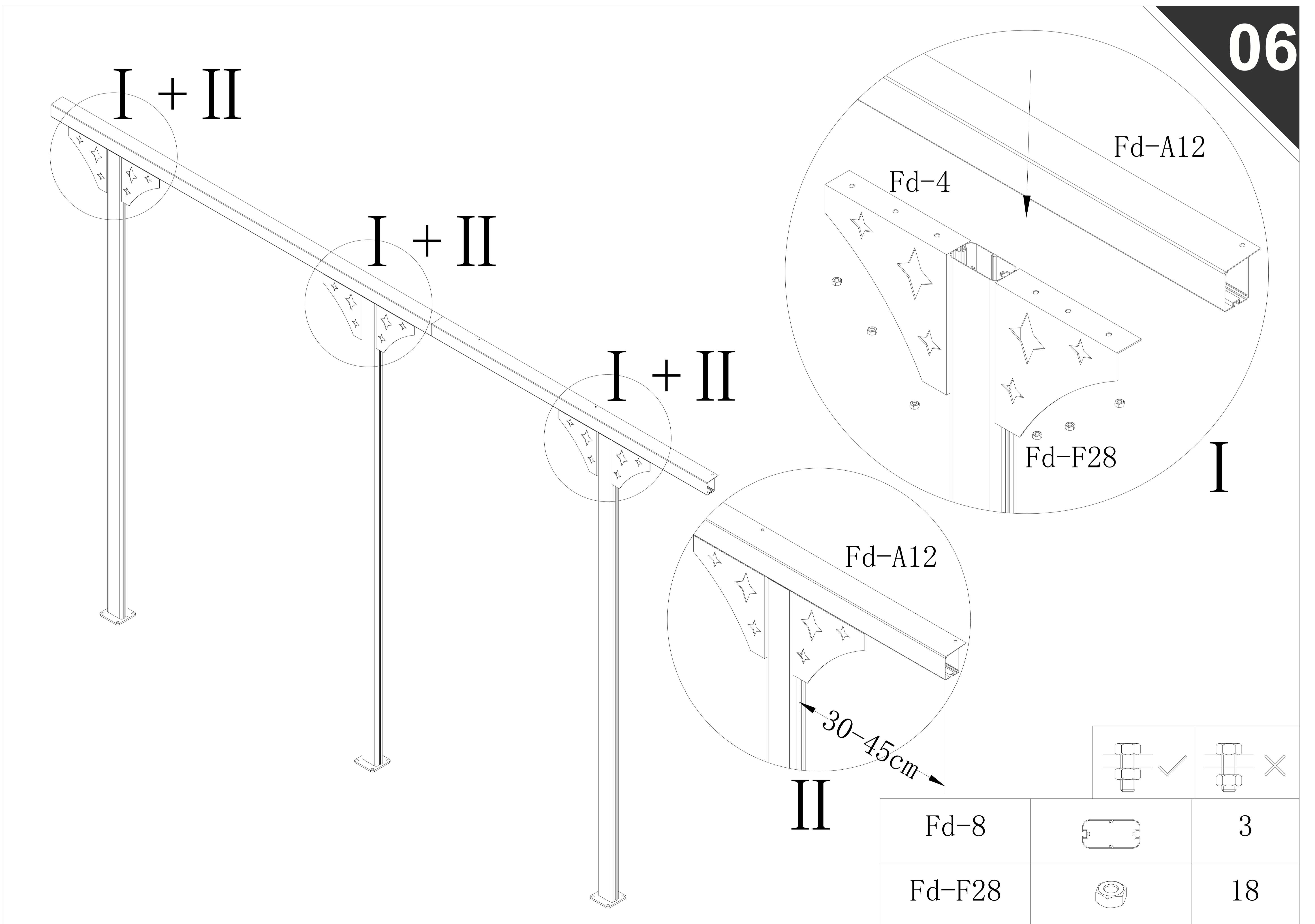
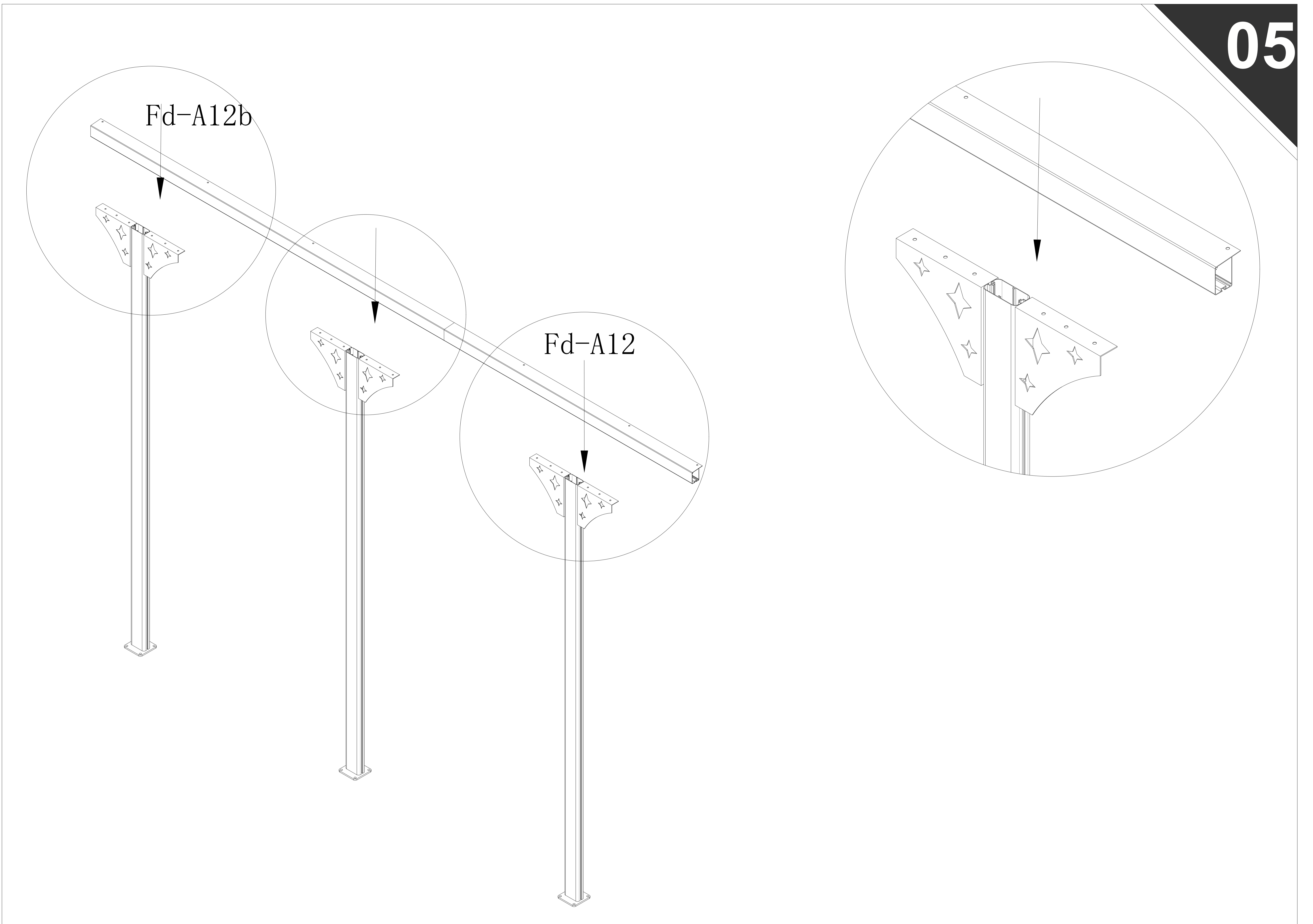
Fd-4		6
Fd-8		3
Fd-F27		18
Fd-F28		18

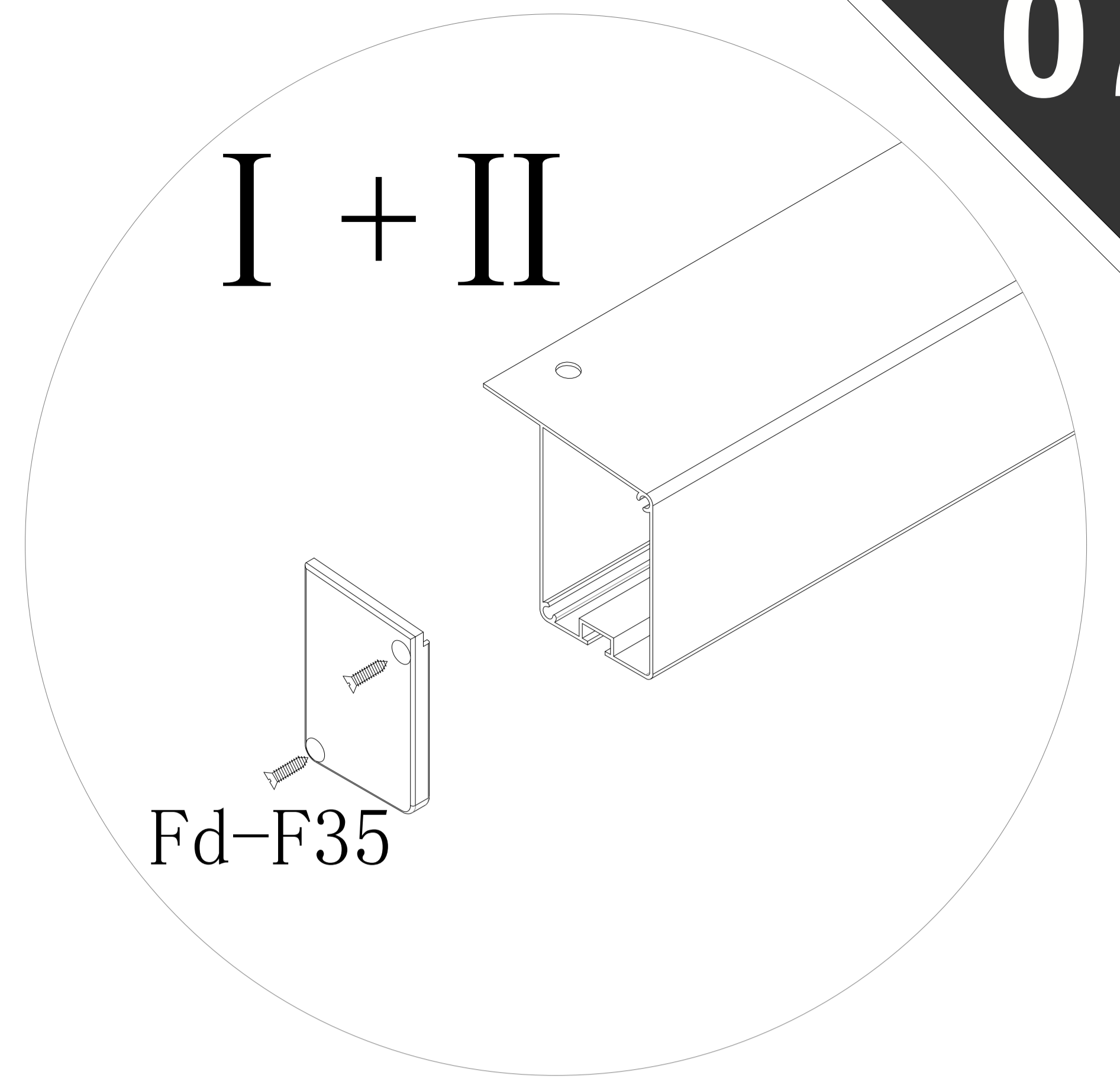
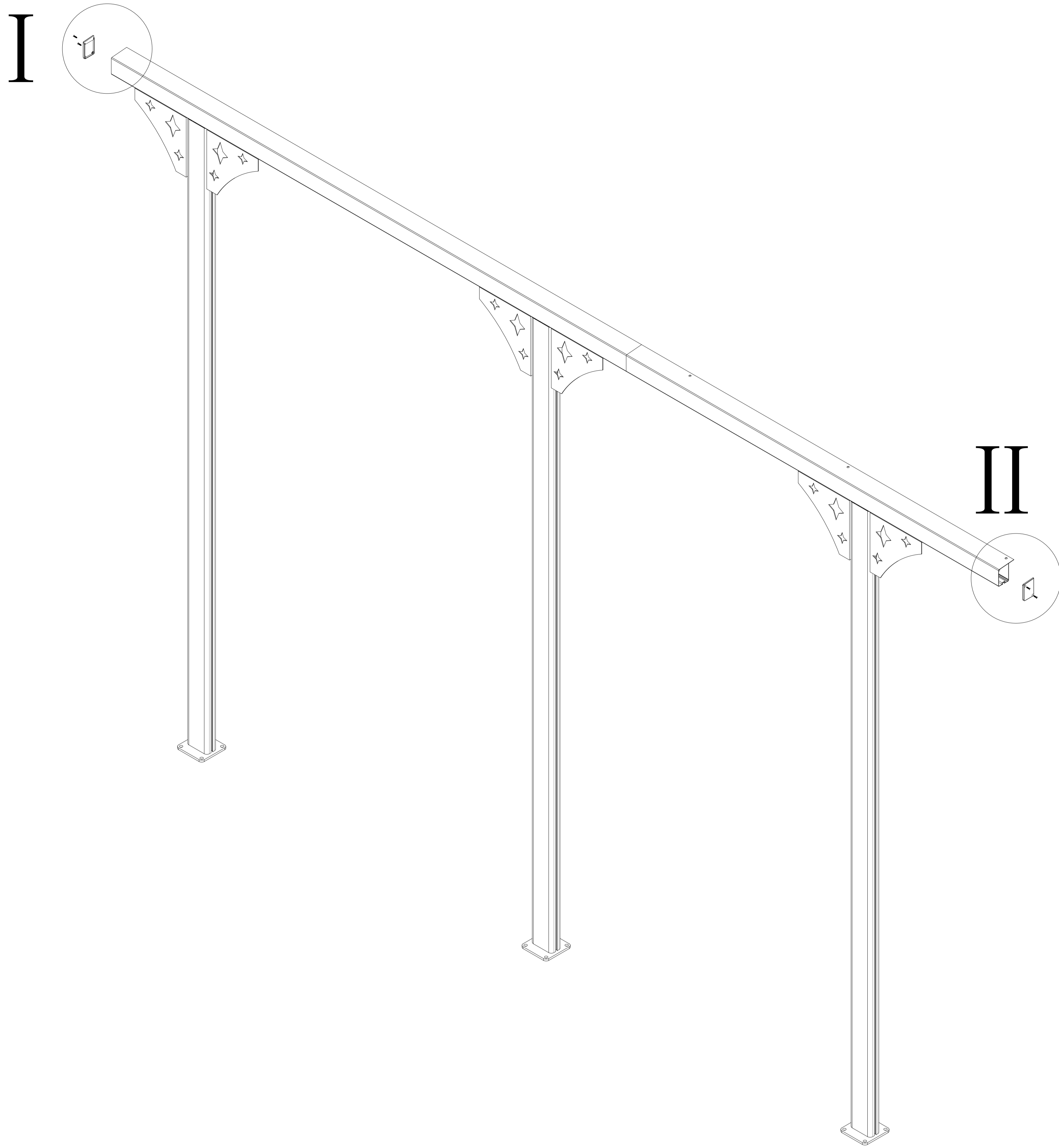


Fd-A12		1
Fd-A12b		1
Fd-F27		18

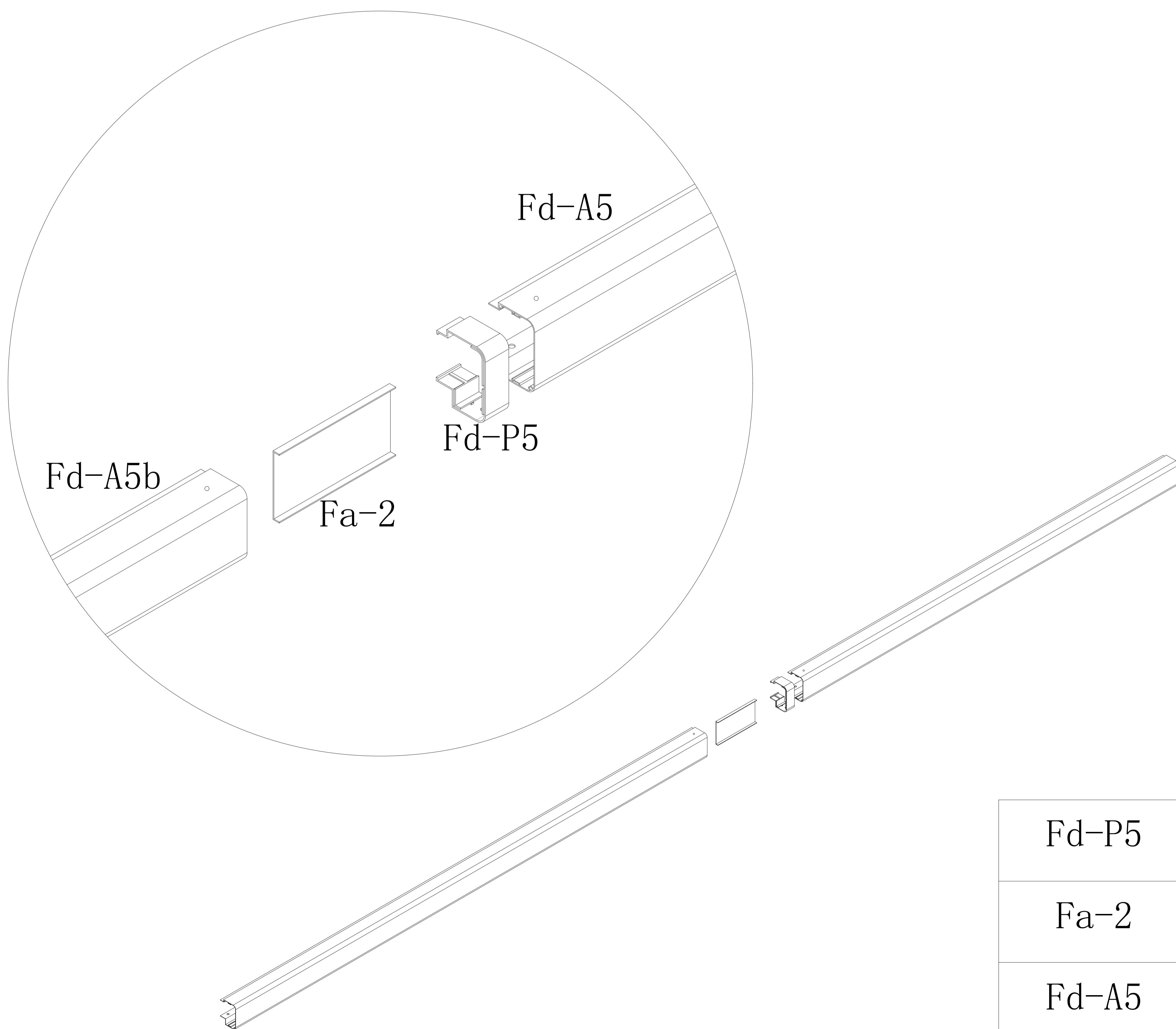


Fd-12		1
Fd-A12		1
Fd-A12b		1
Fd-F29		4
Fd-P6		1

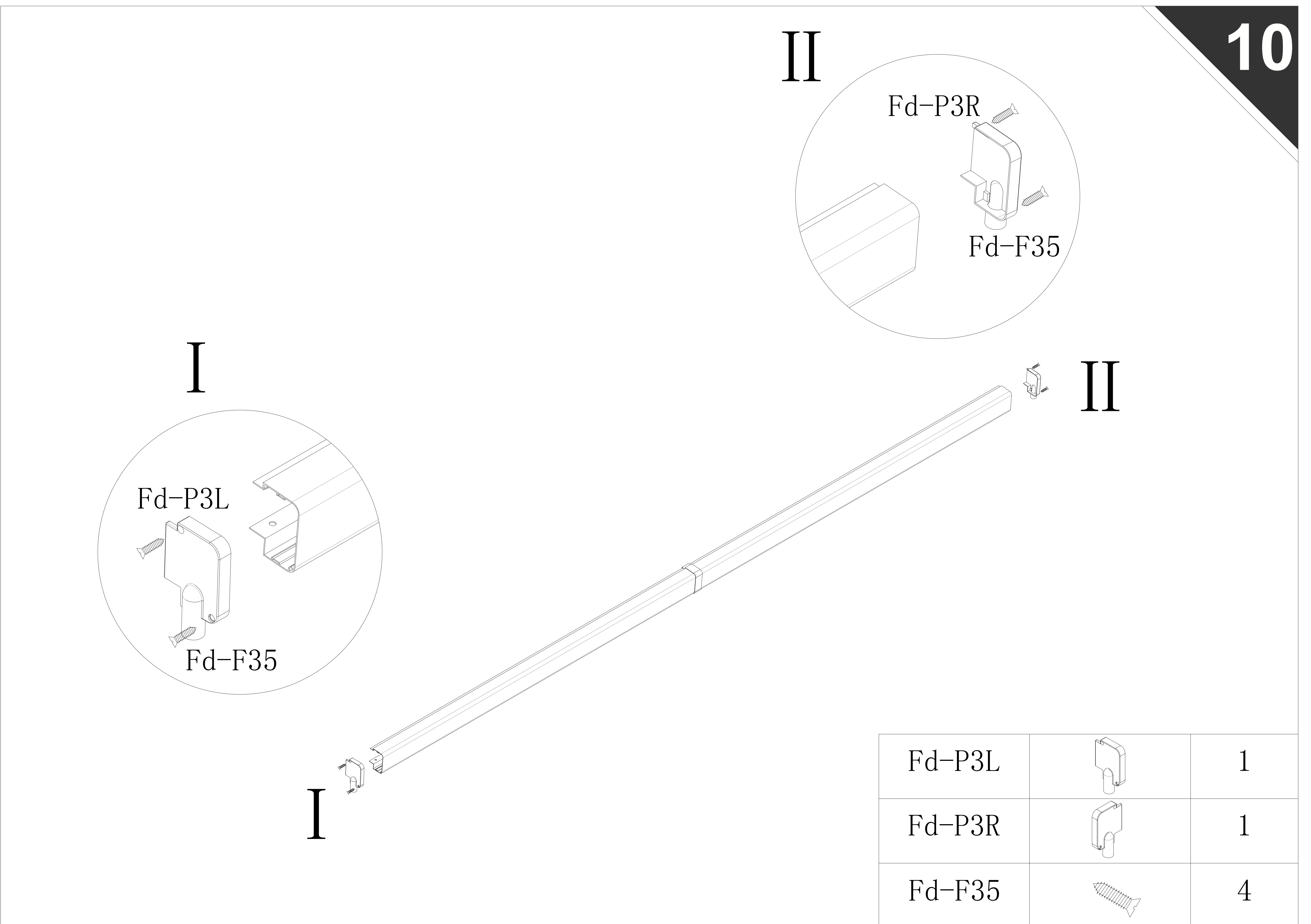
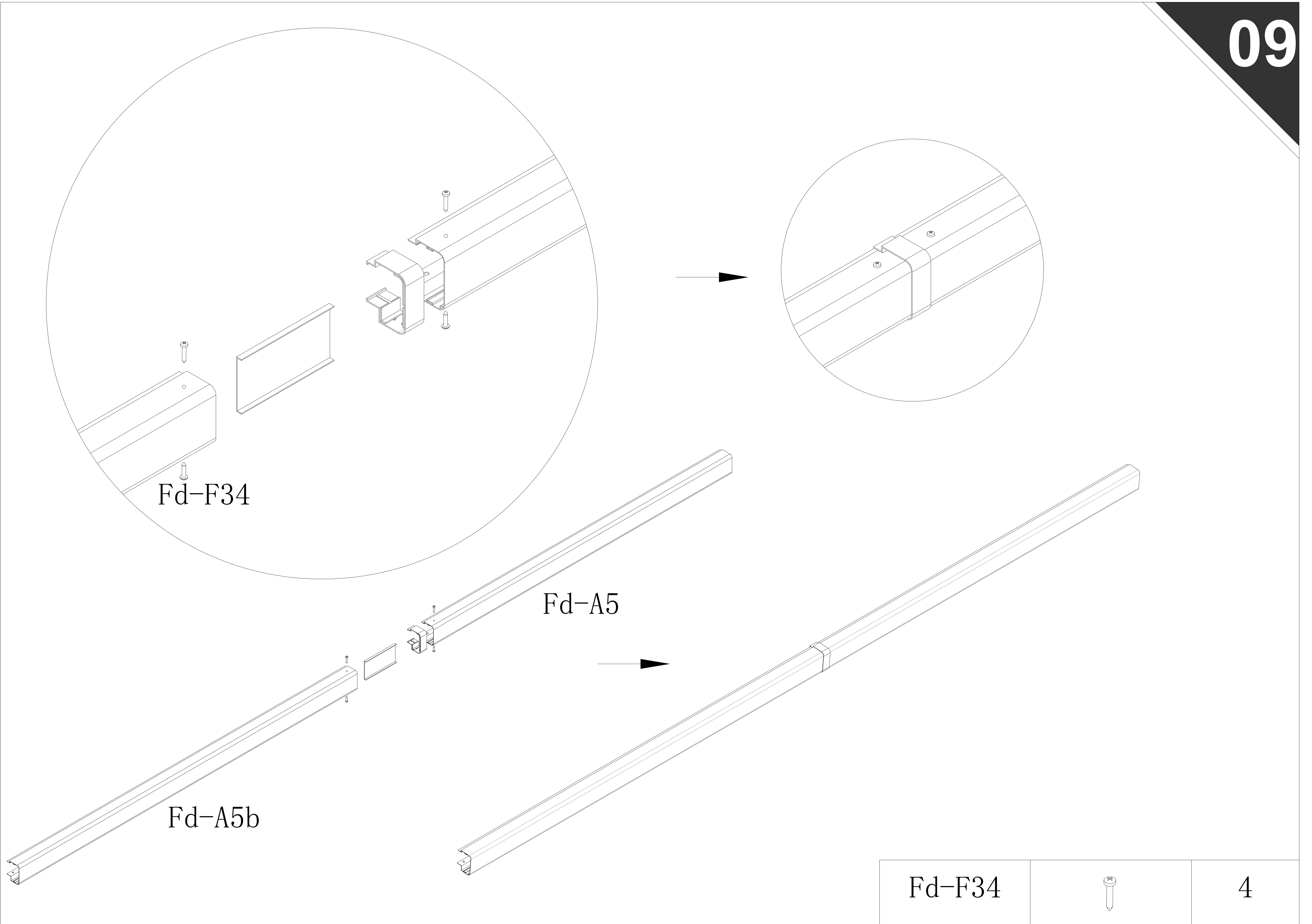


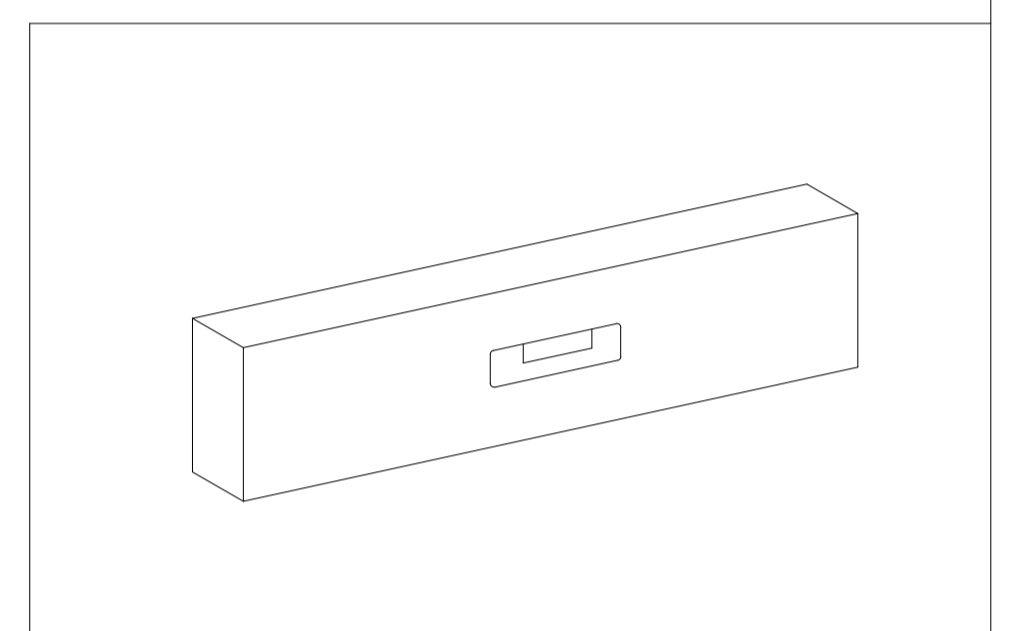
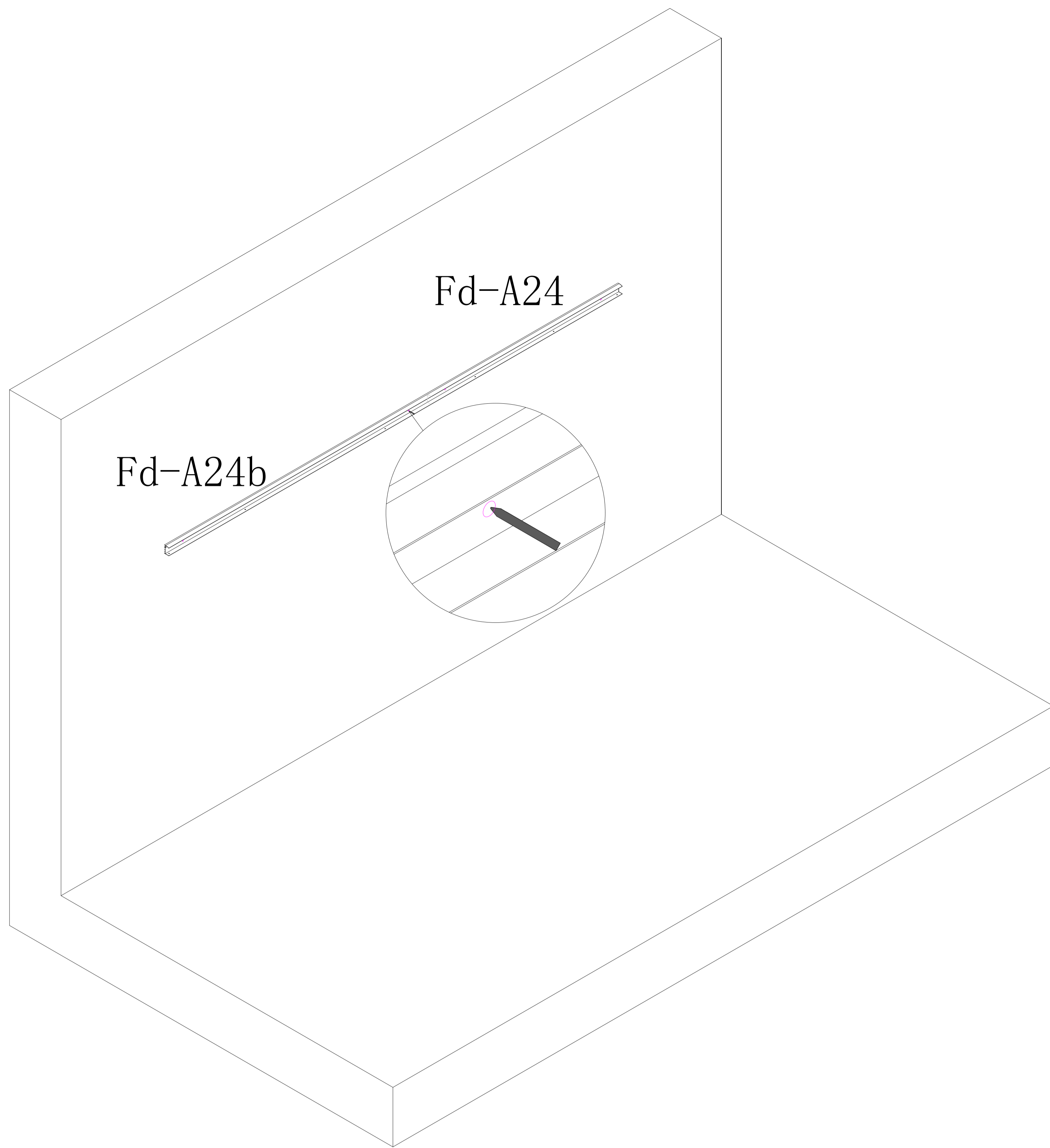


Fd-P1L		1
Fd-P1R		1
Fd-F35		4

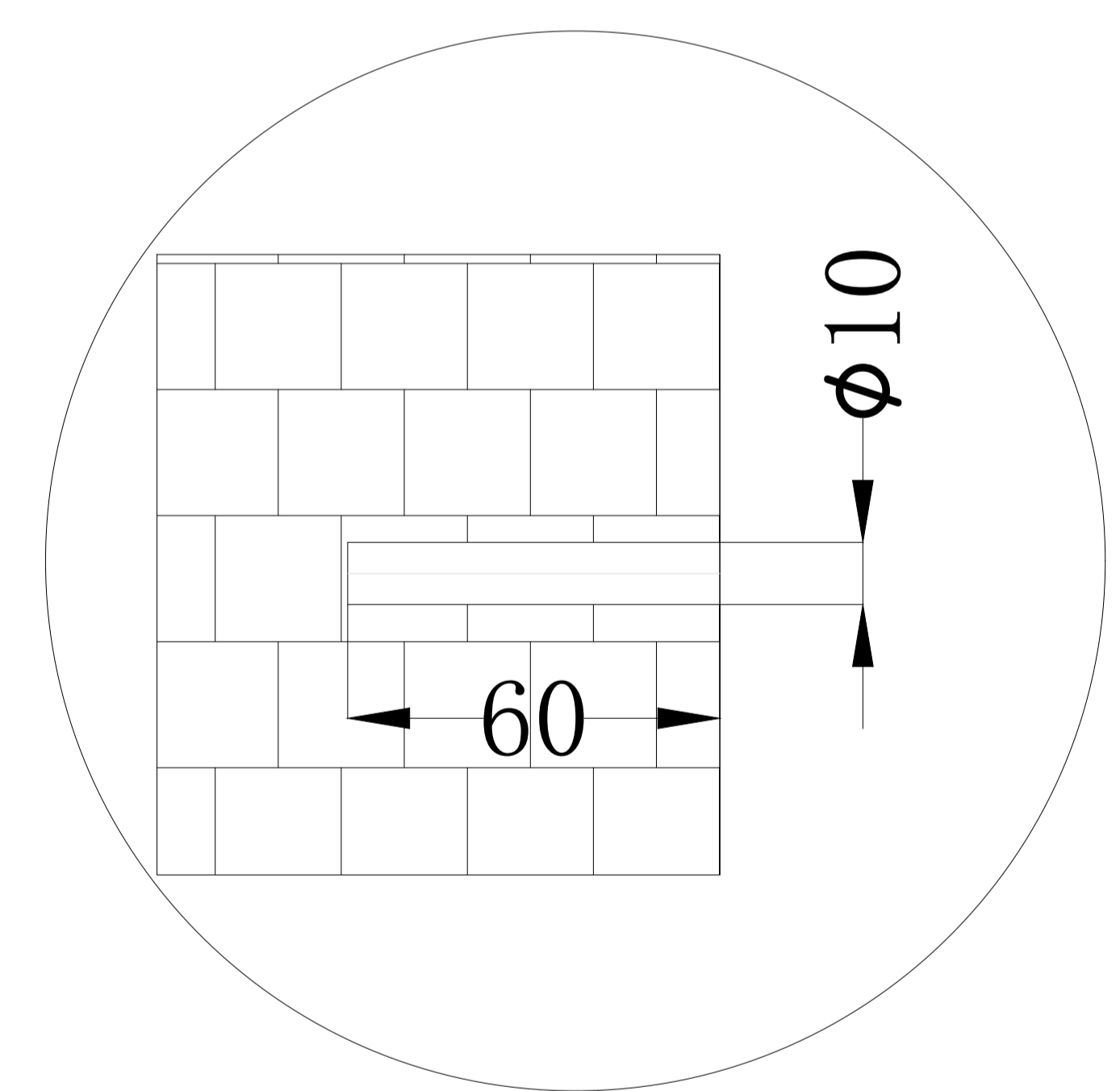
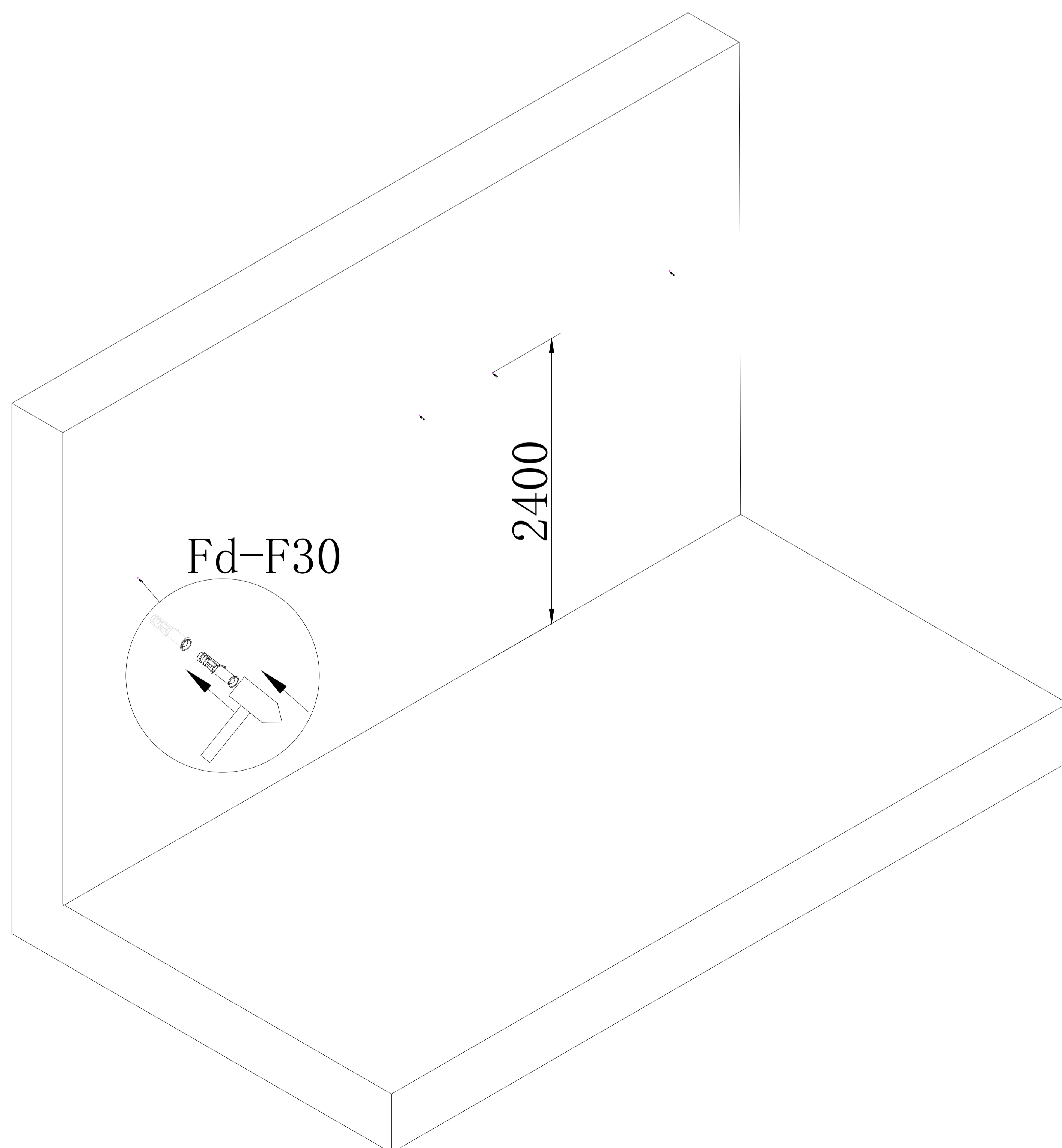


Fd-P5		1
Fa-2		1
Fd-A5		1
Fd-A5b		1

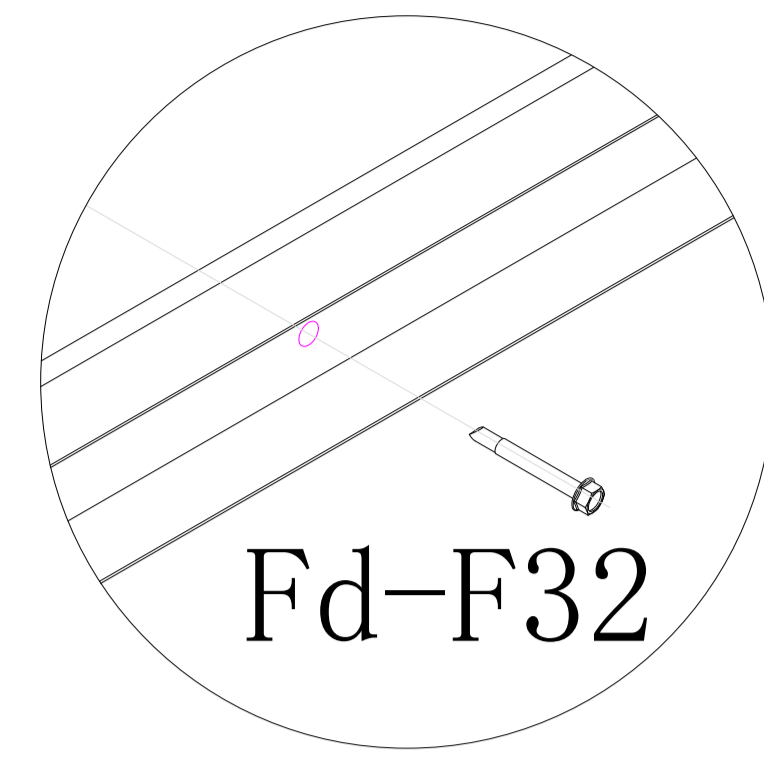
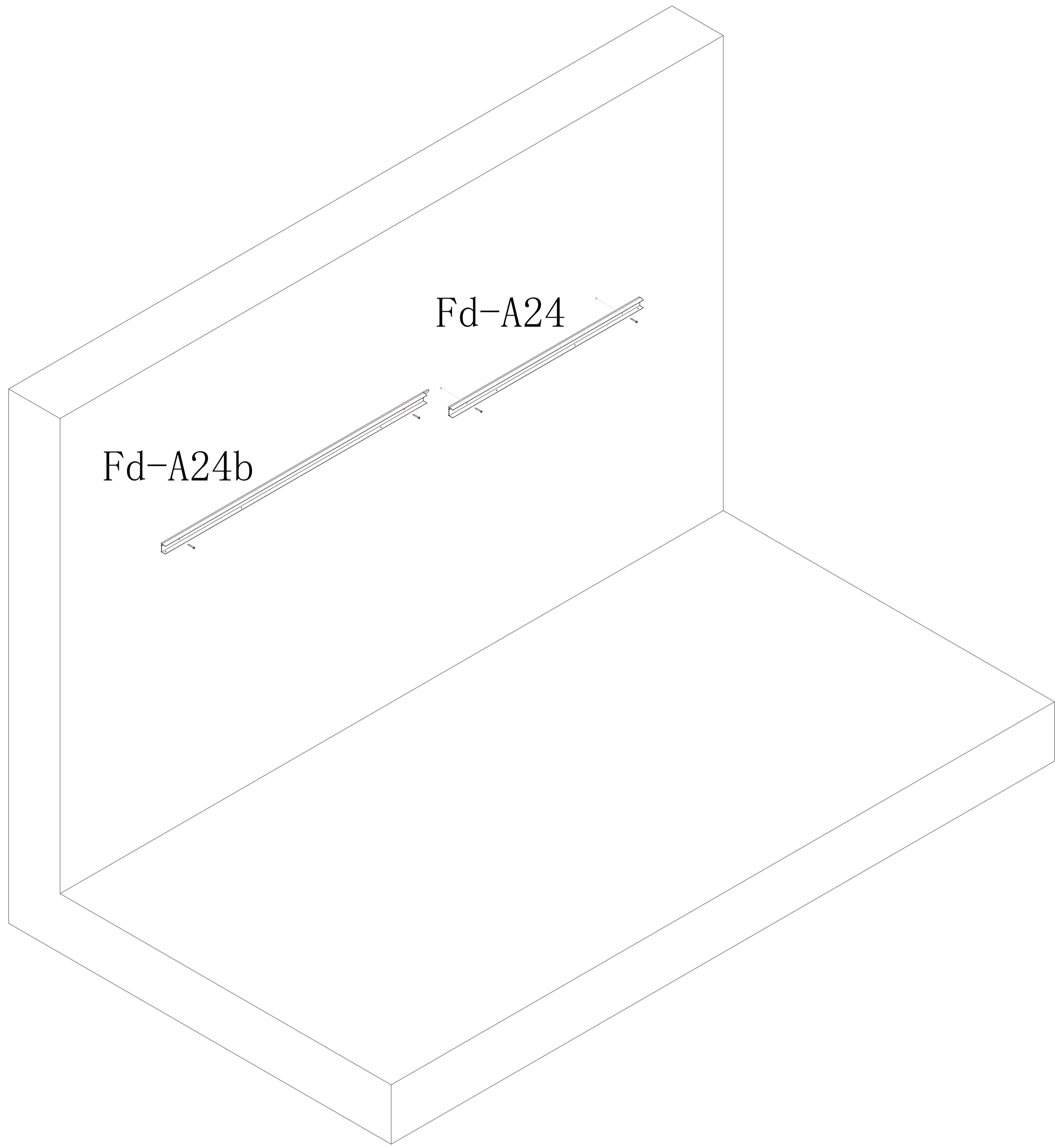


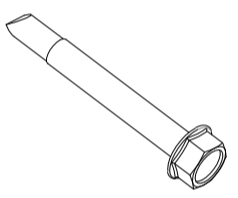


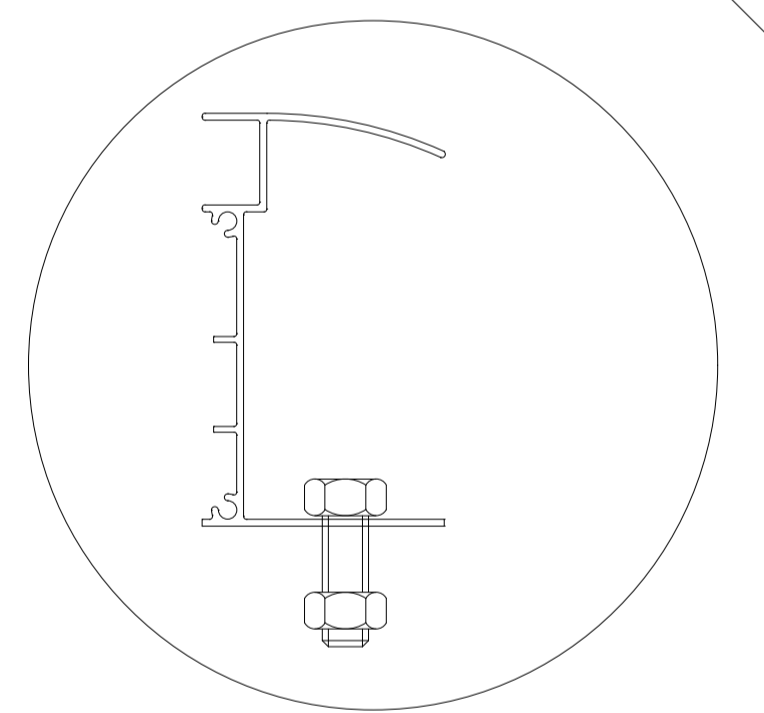
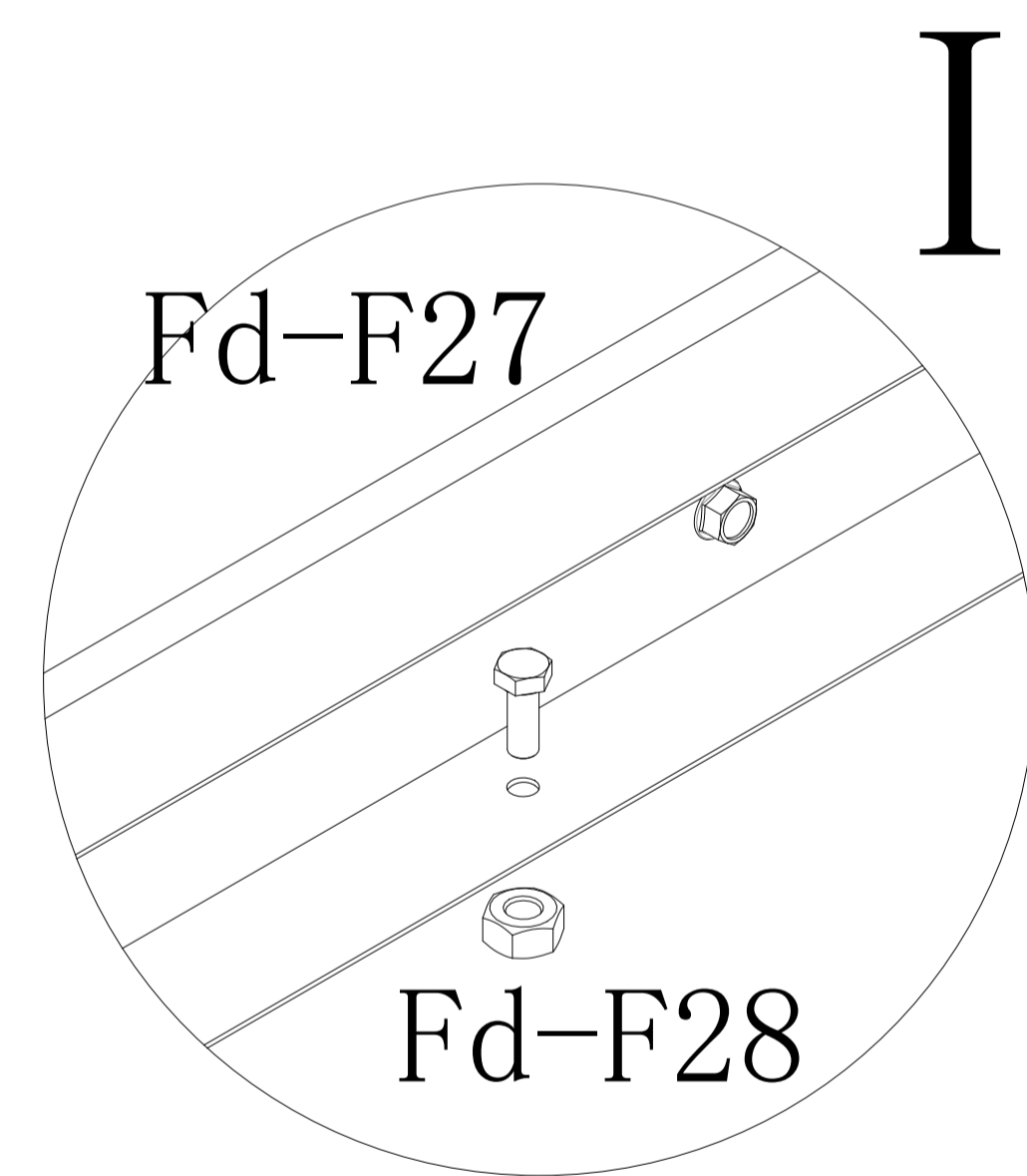
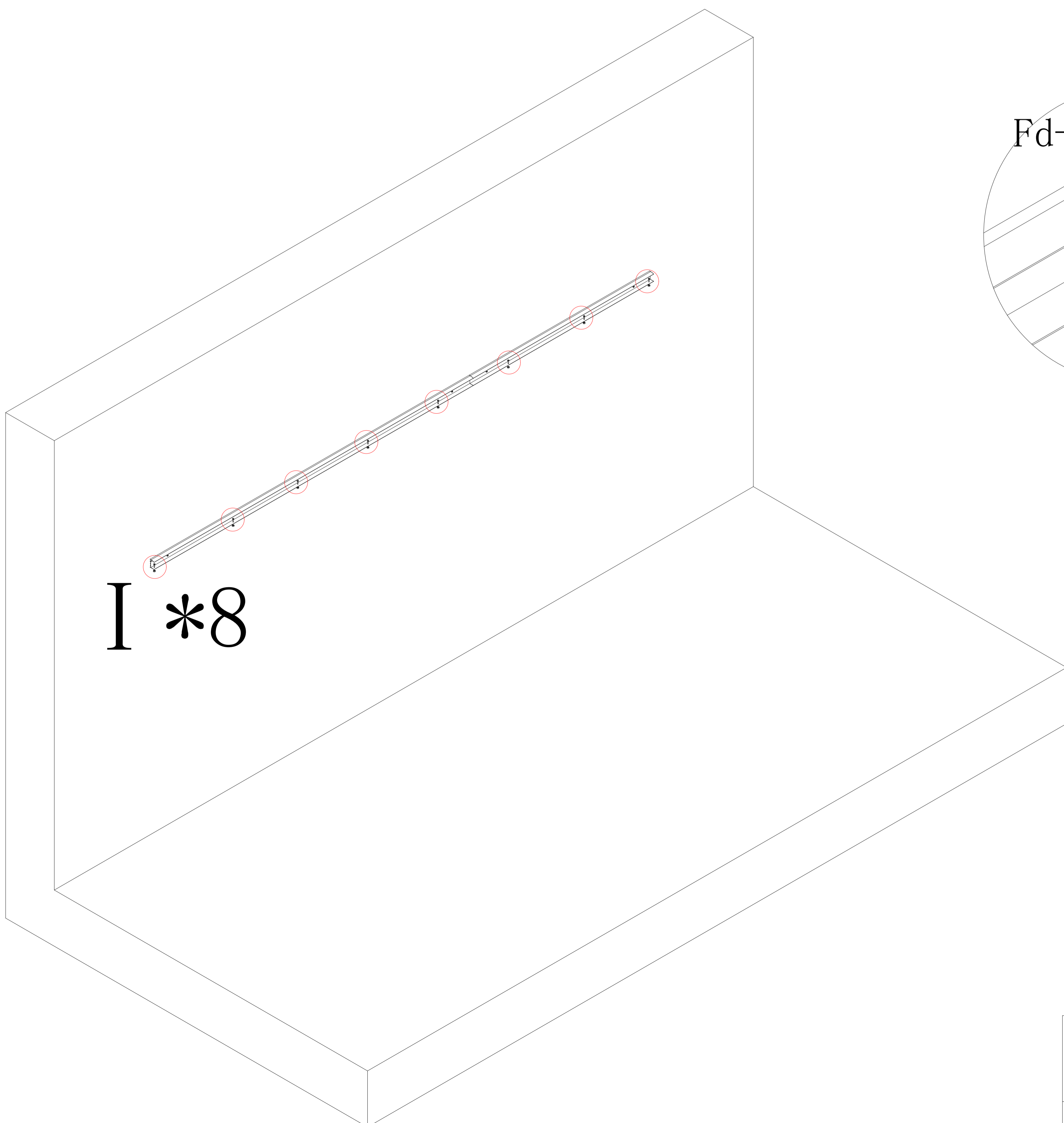
Fd-A24		1
Fd-A24b		1

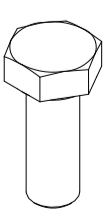
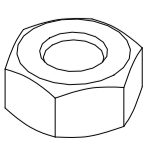


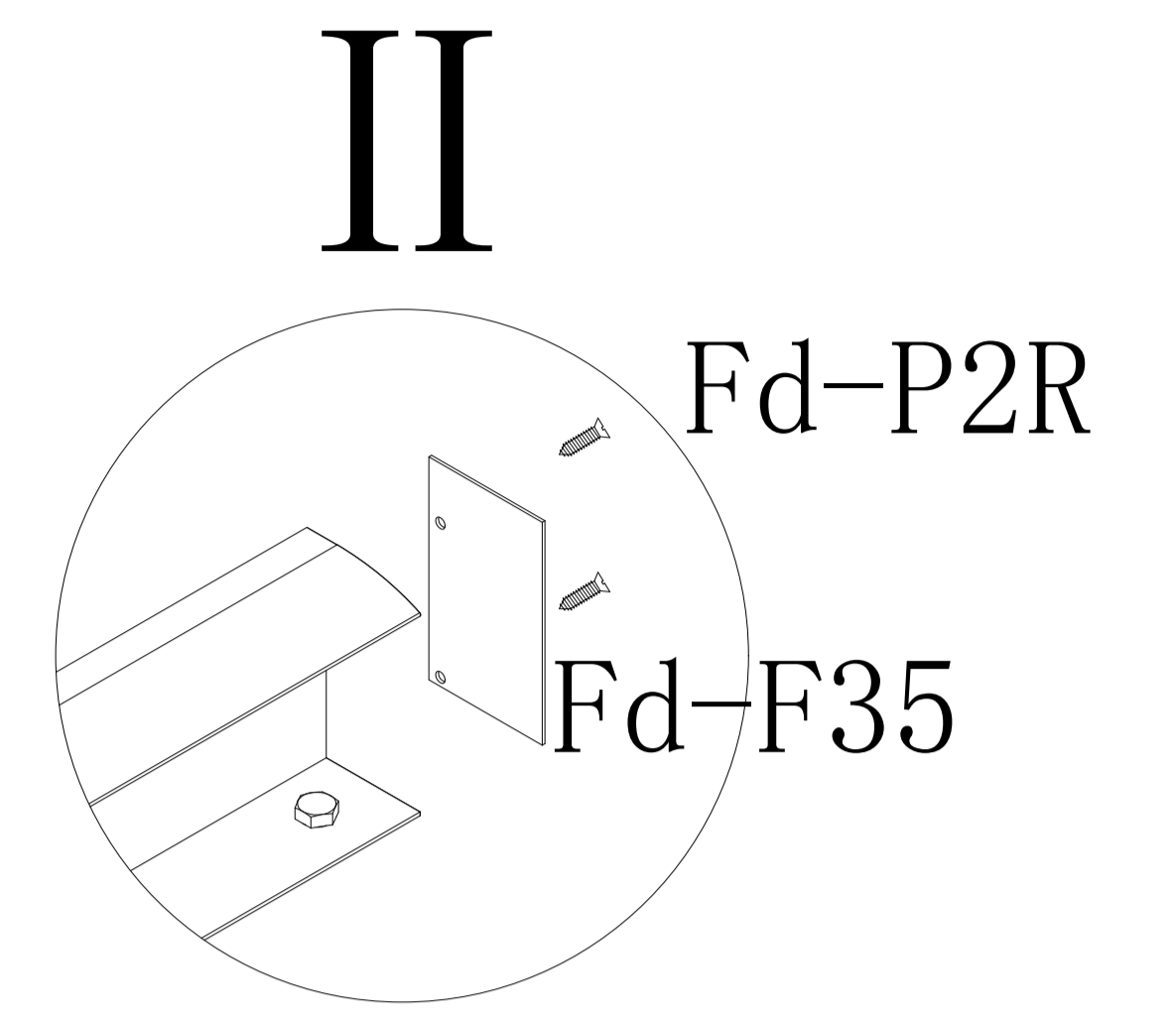
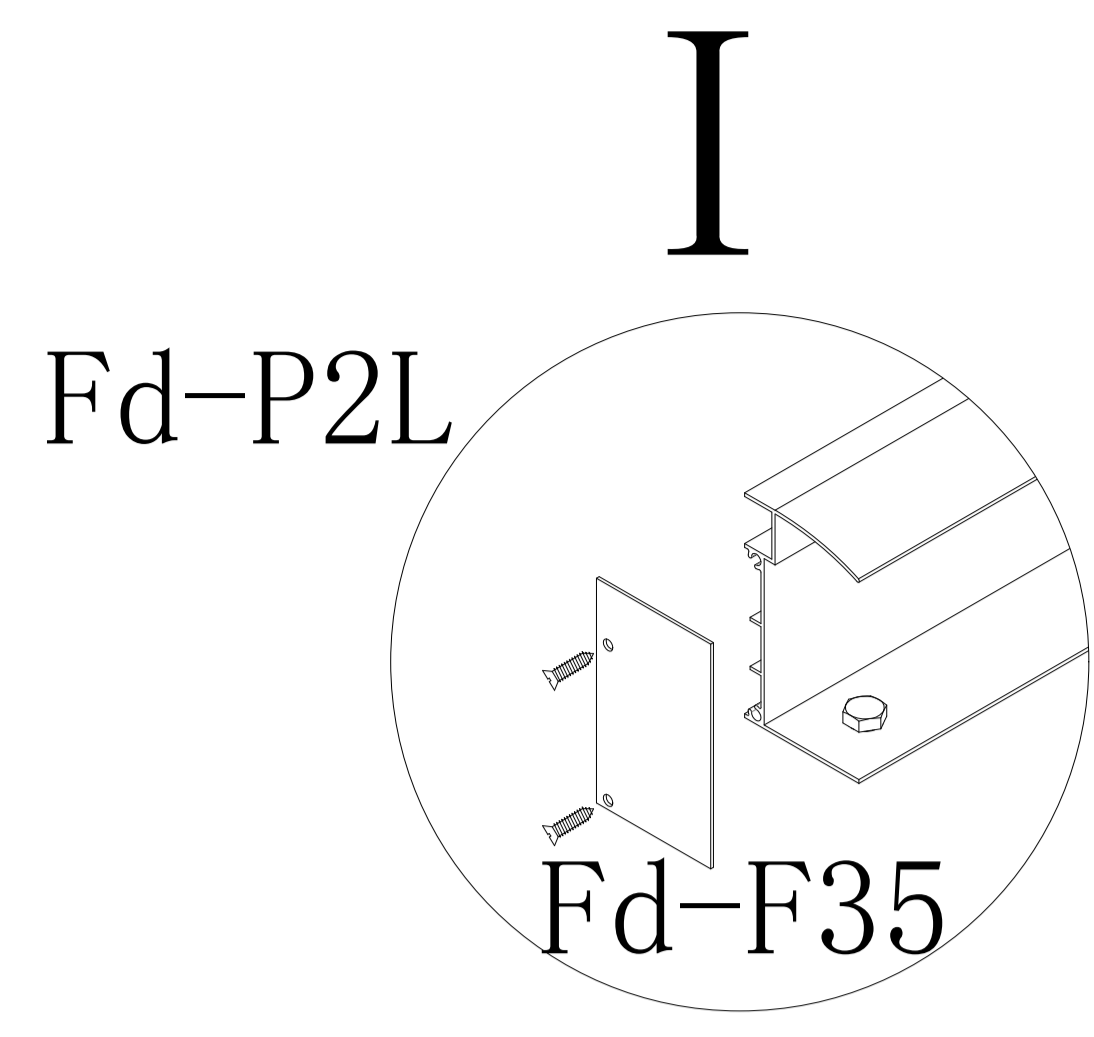
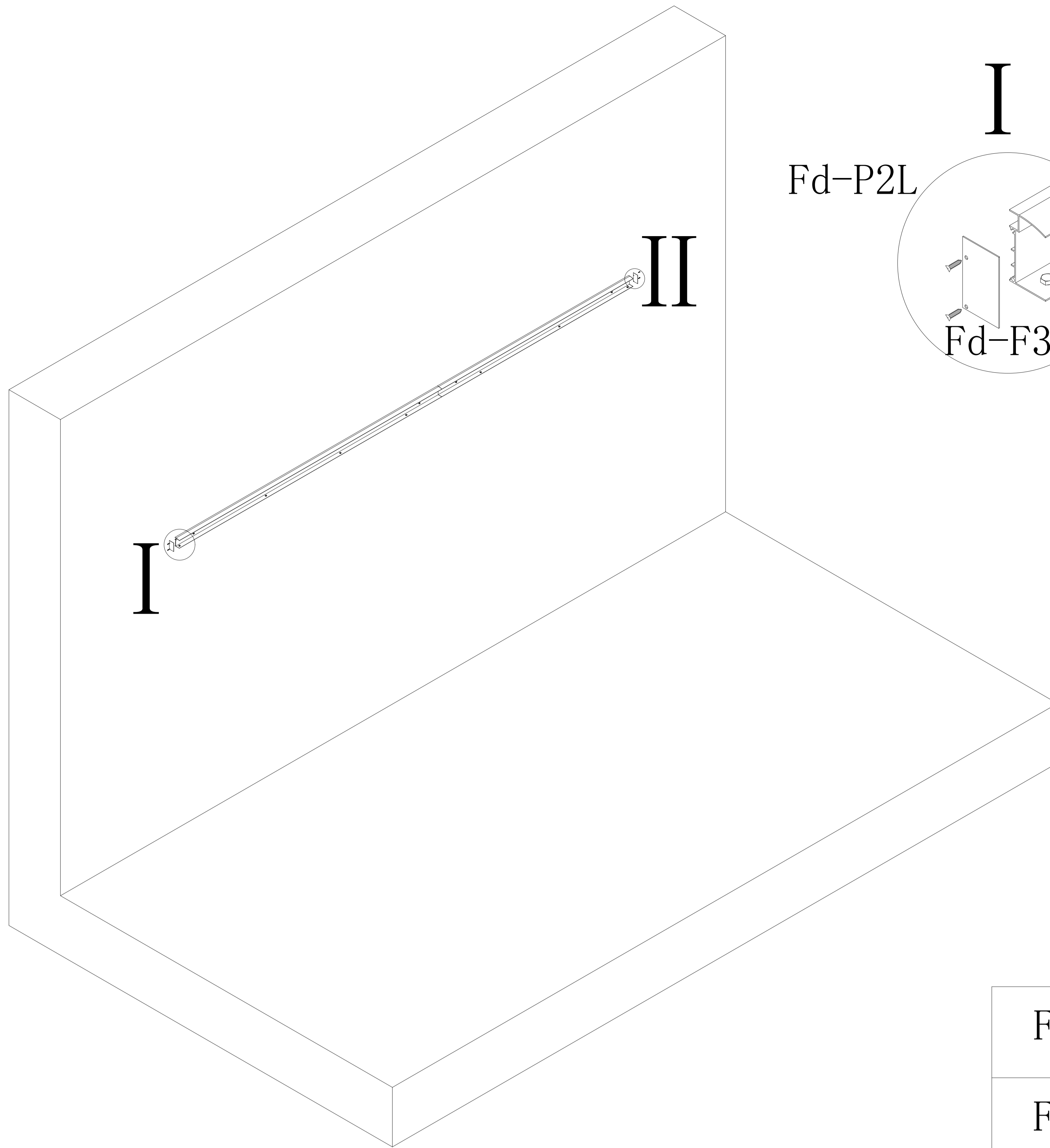
Fd-F30		4
--------	--	---



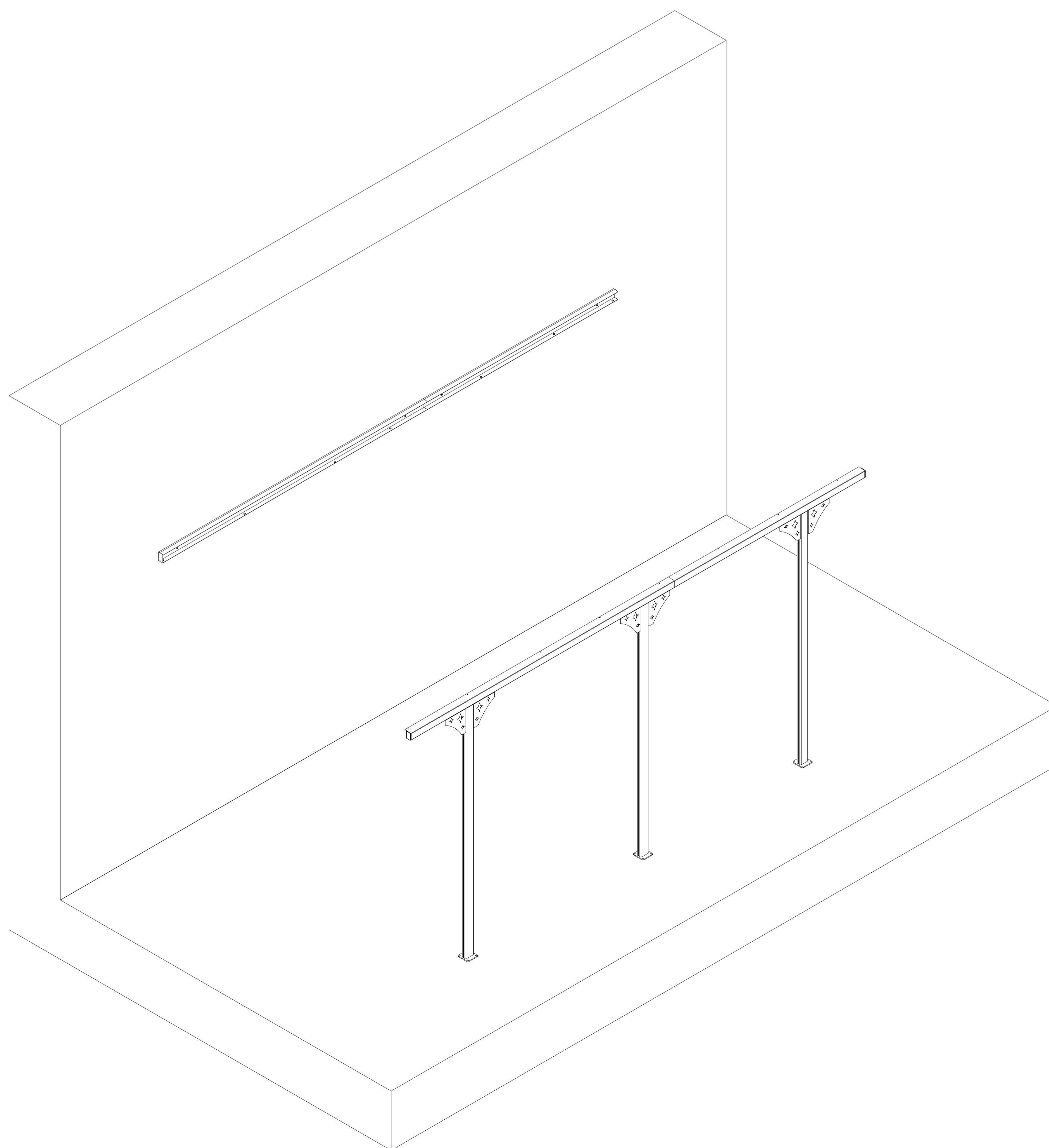
Fd-F32		4
--------	---	---

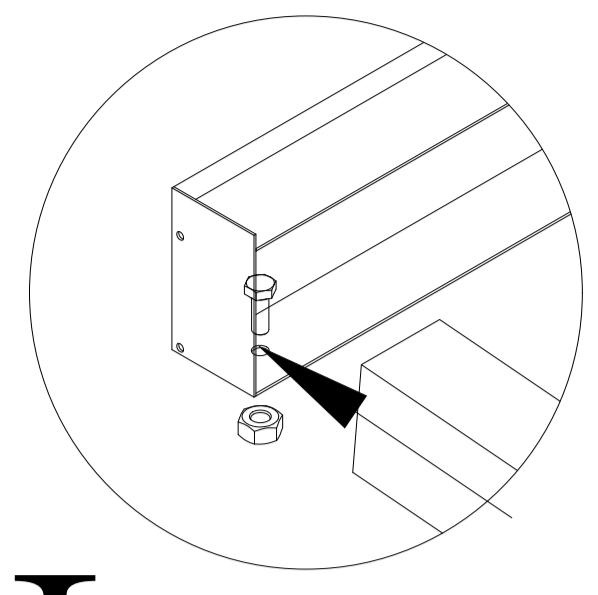


Fd-F27		8
Fd-F28		8

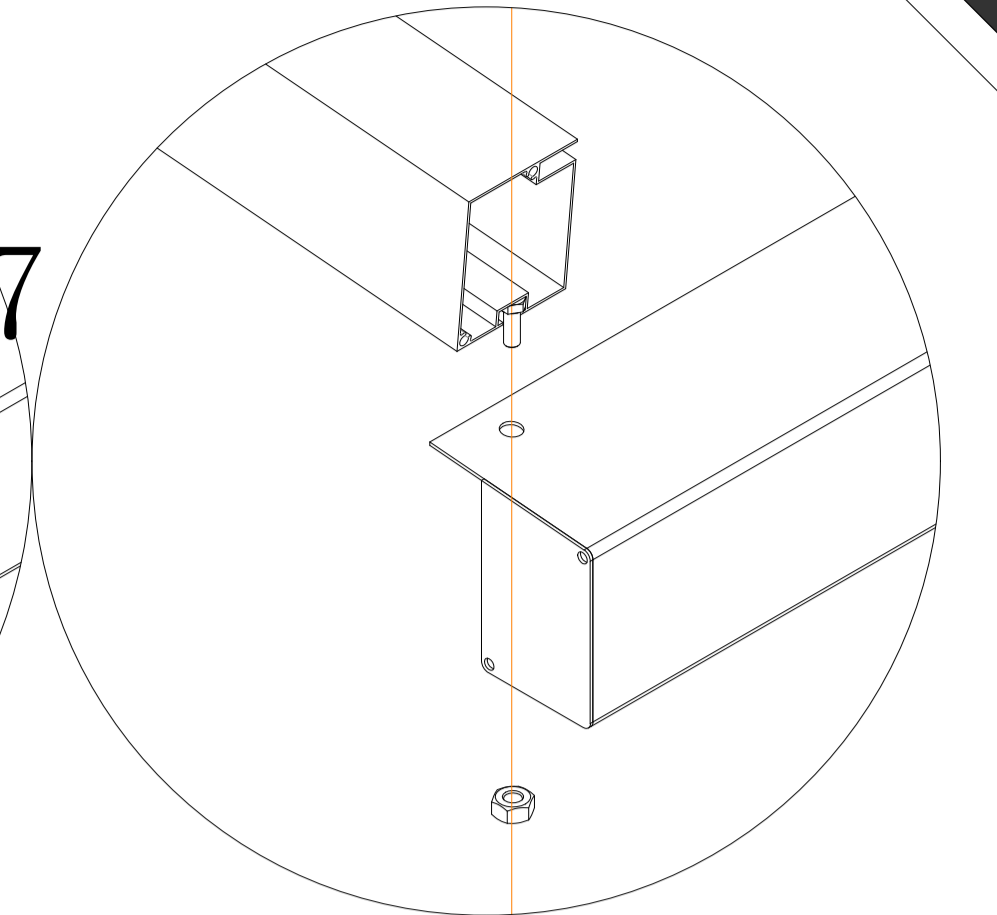
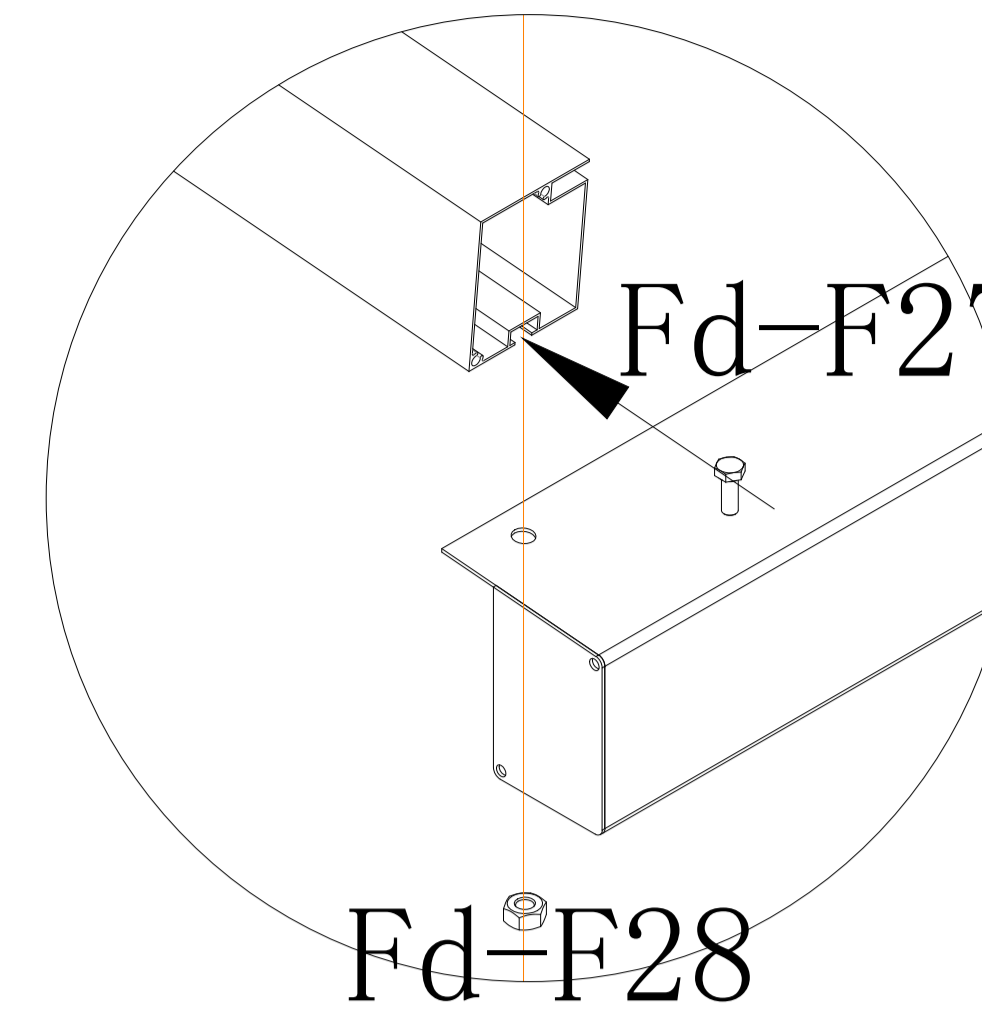
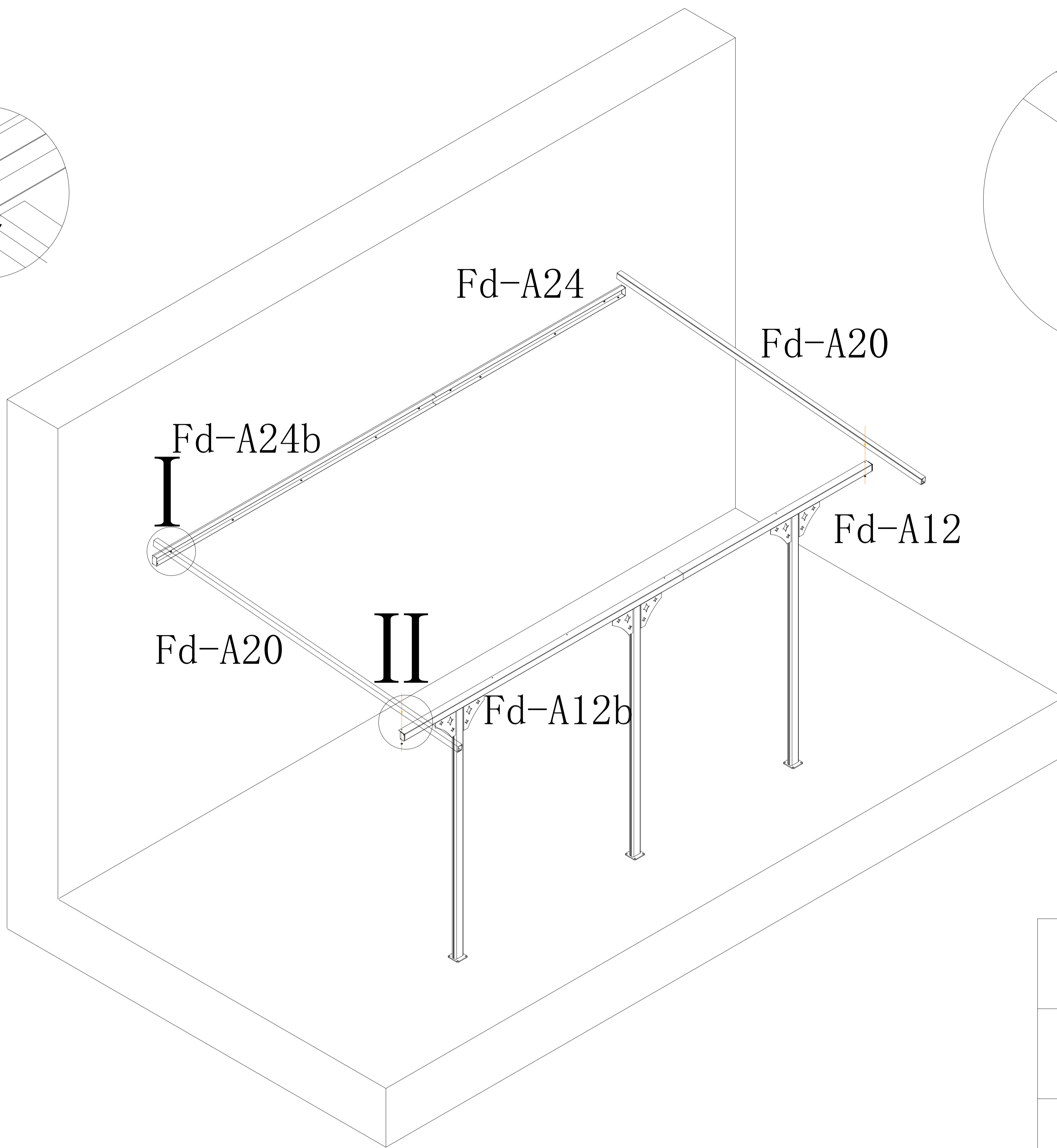


Fd-P2L		1
Fd-P2R		1
Fd-F35		4

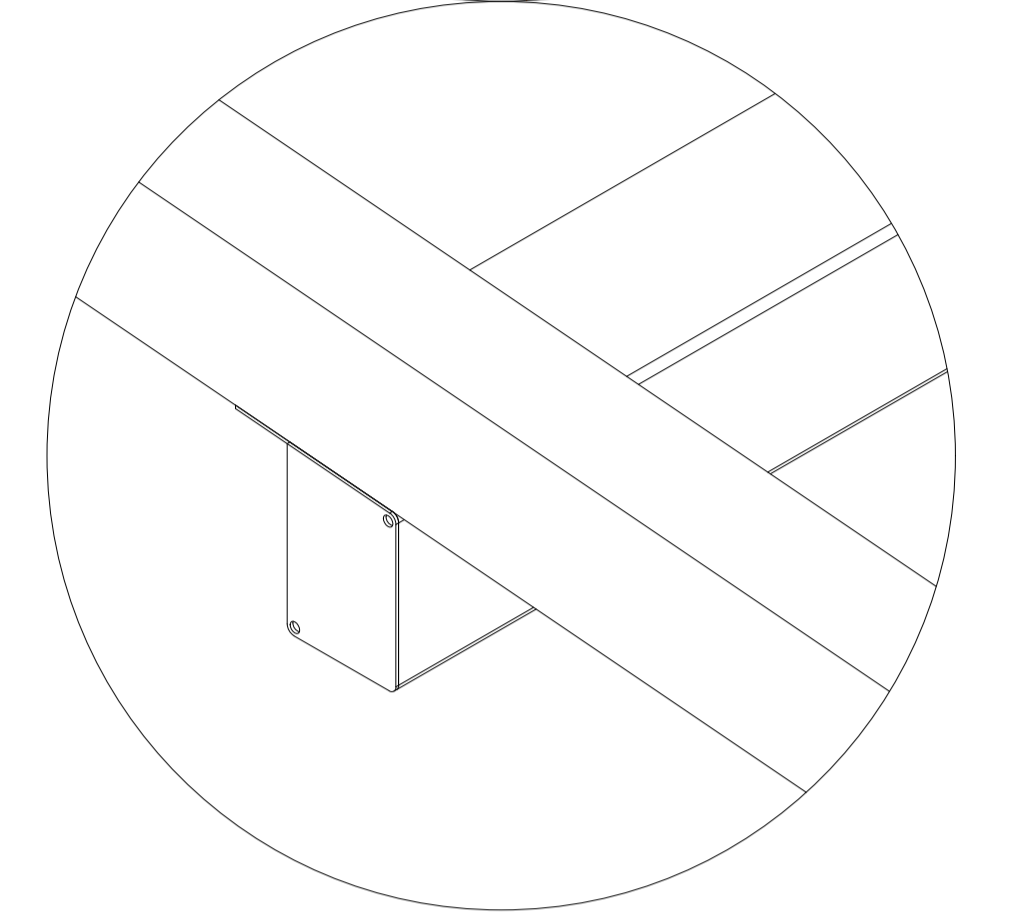




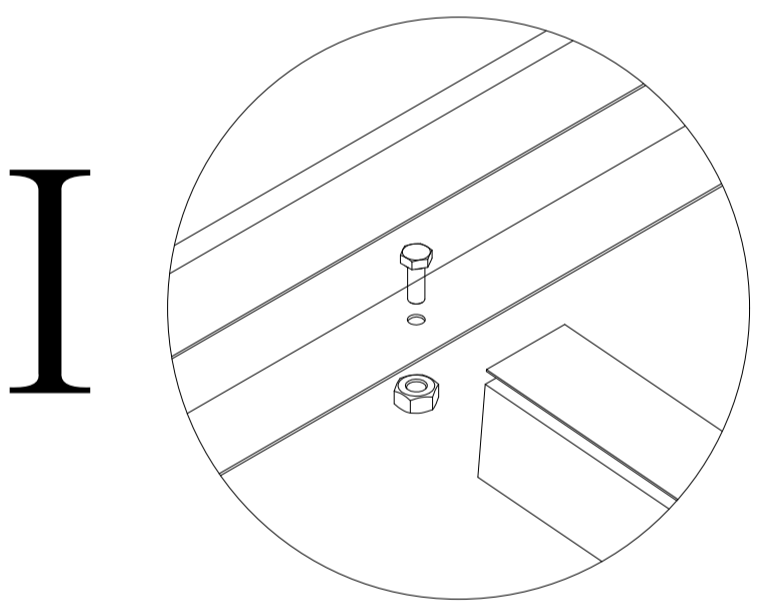
I



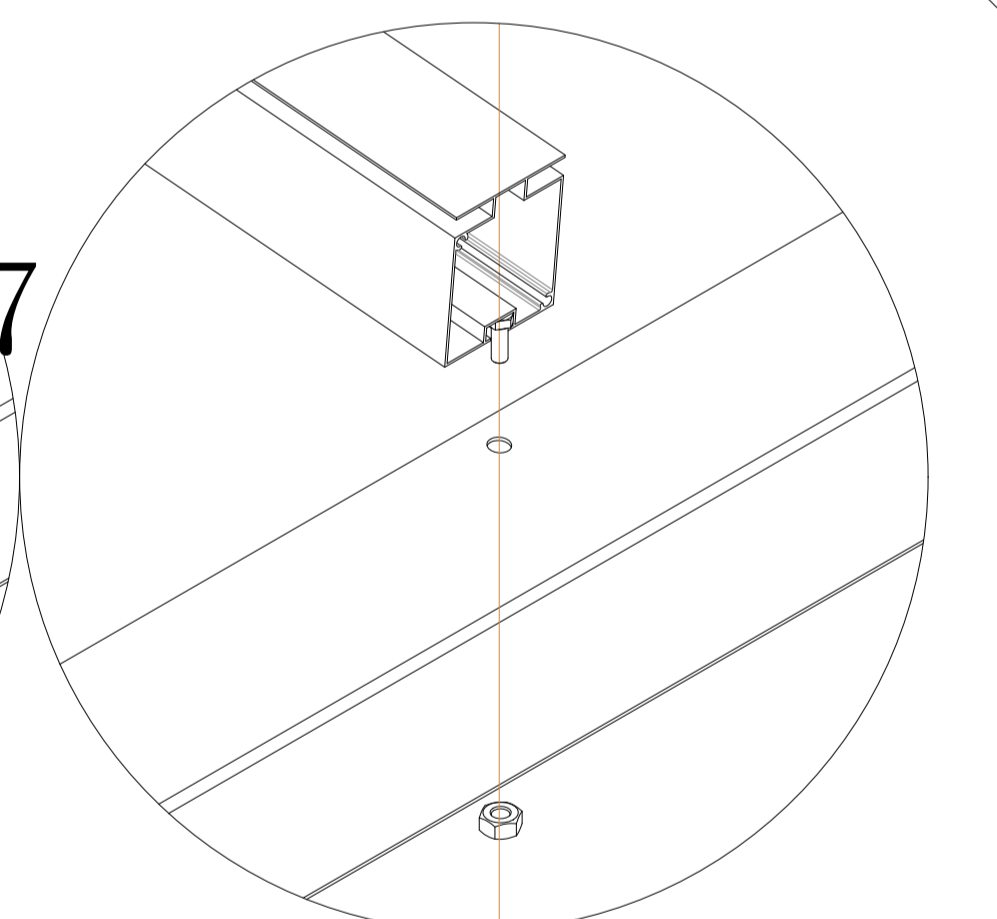
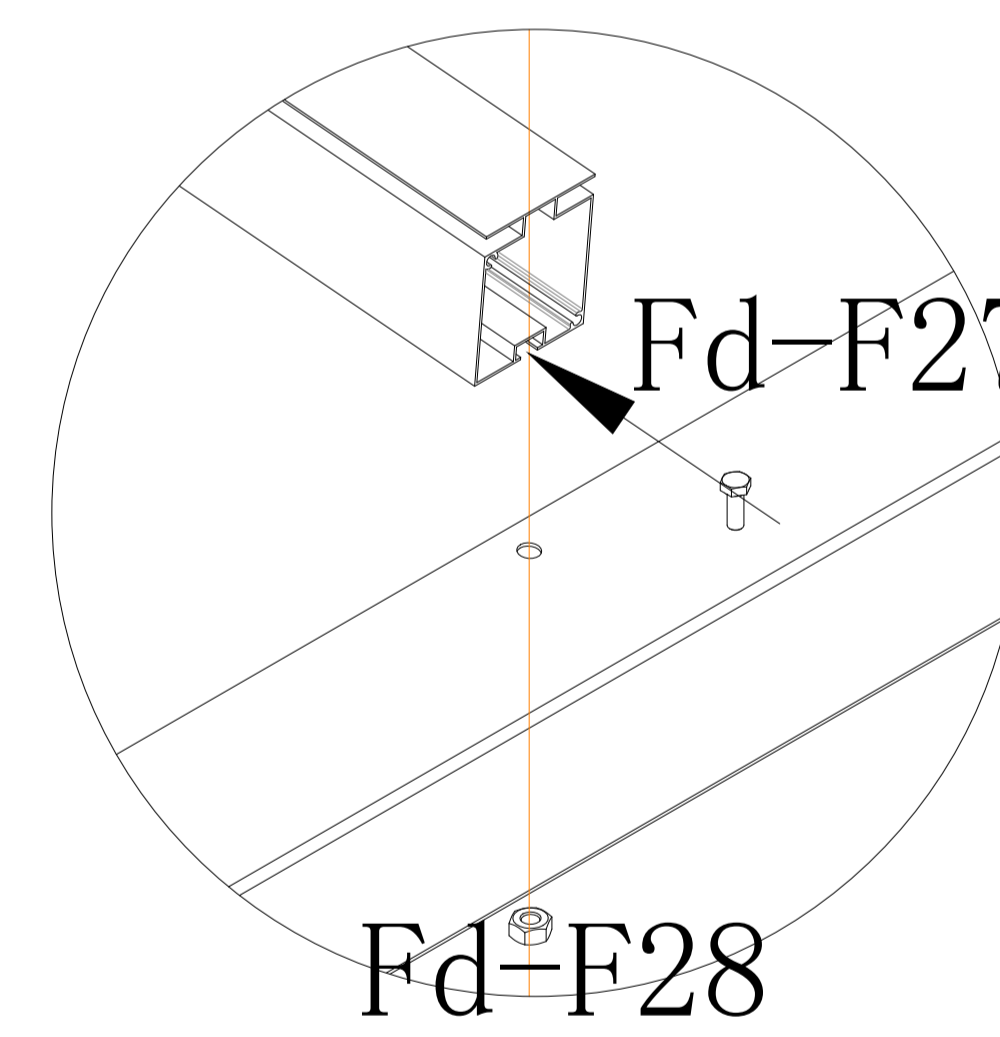
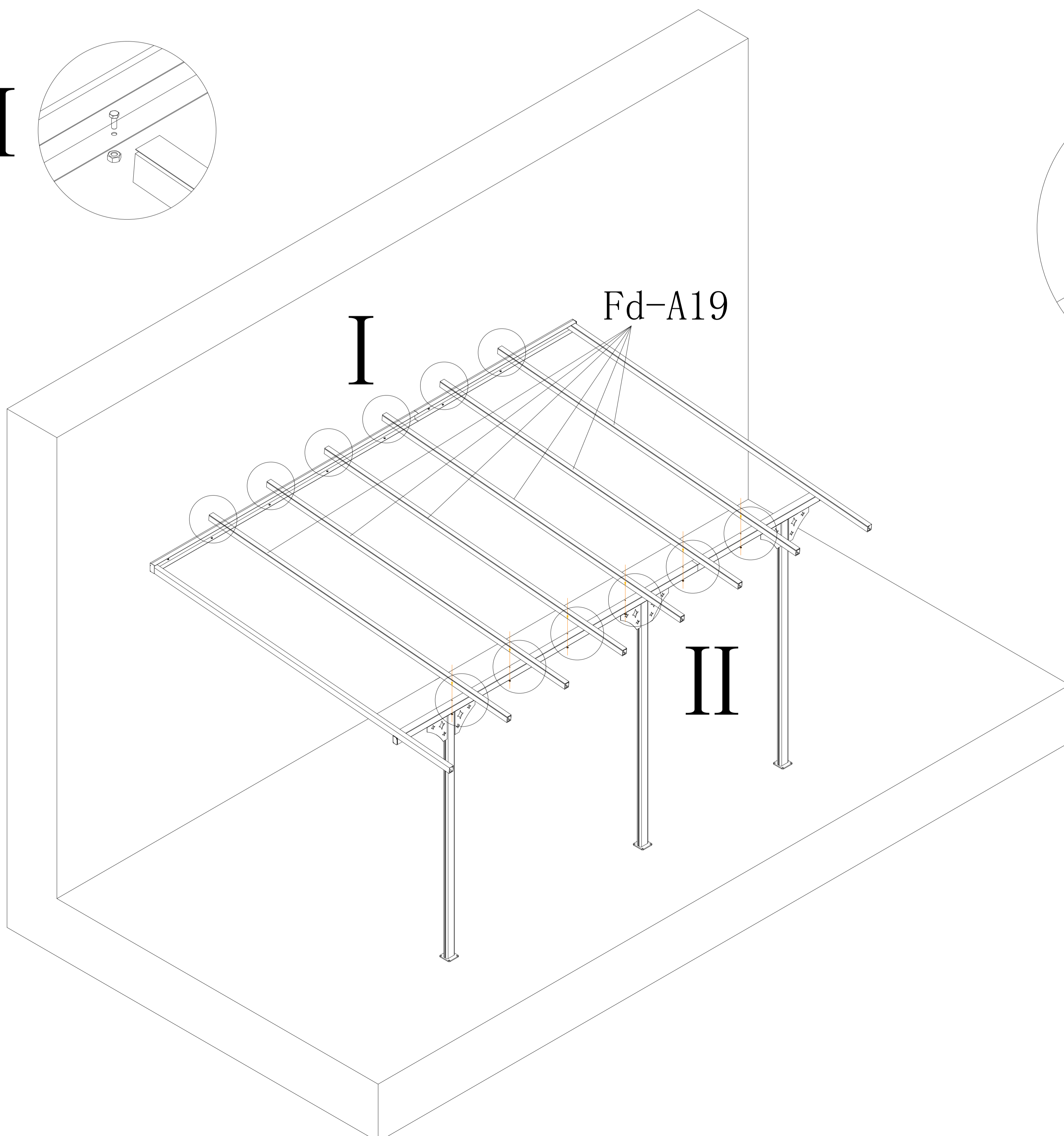
II



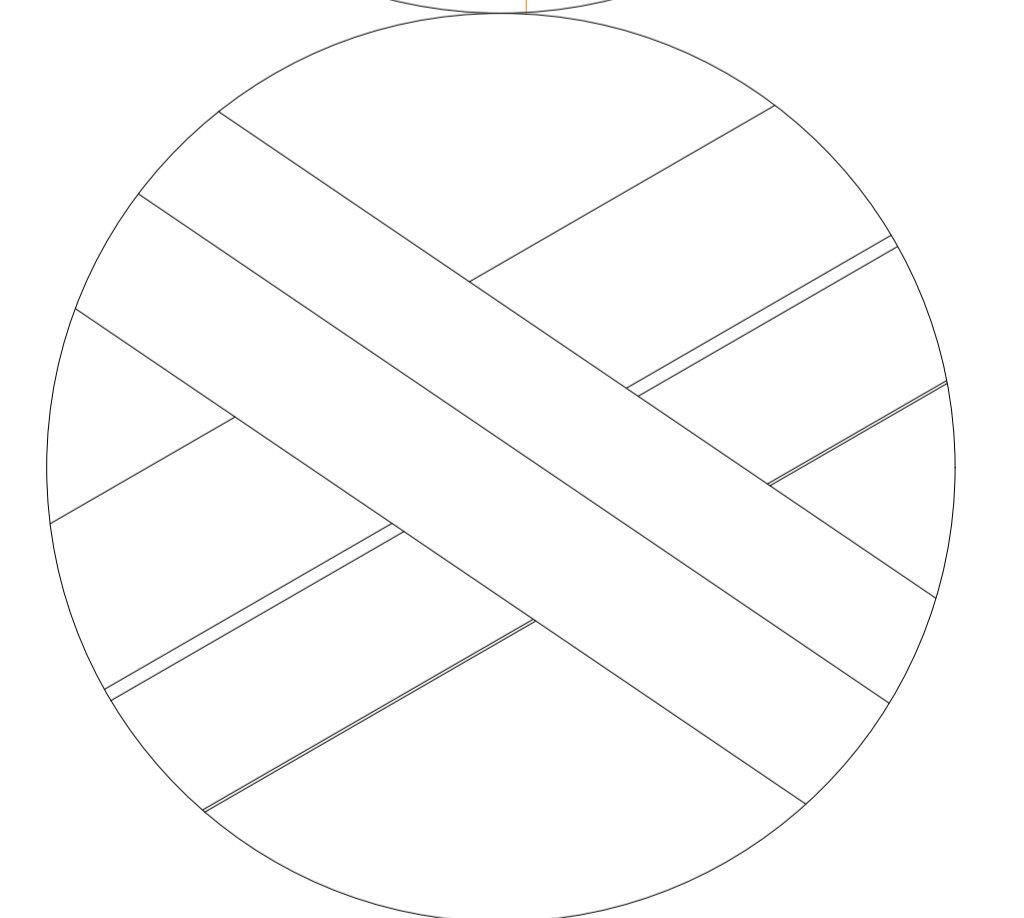
Fd-A20		2
Fd-F27		2
Fd-F28		2



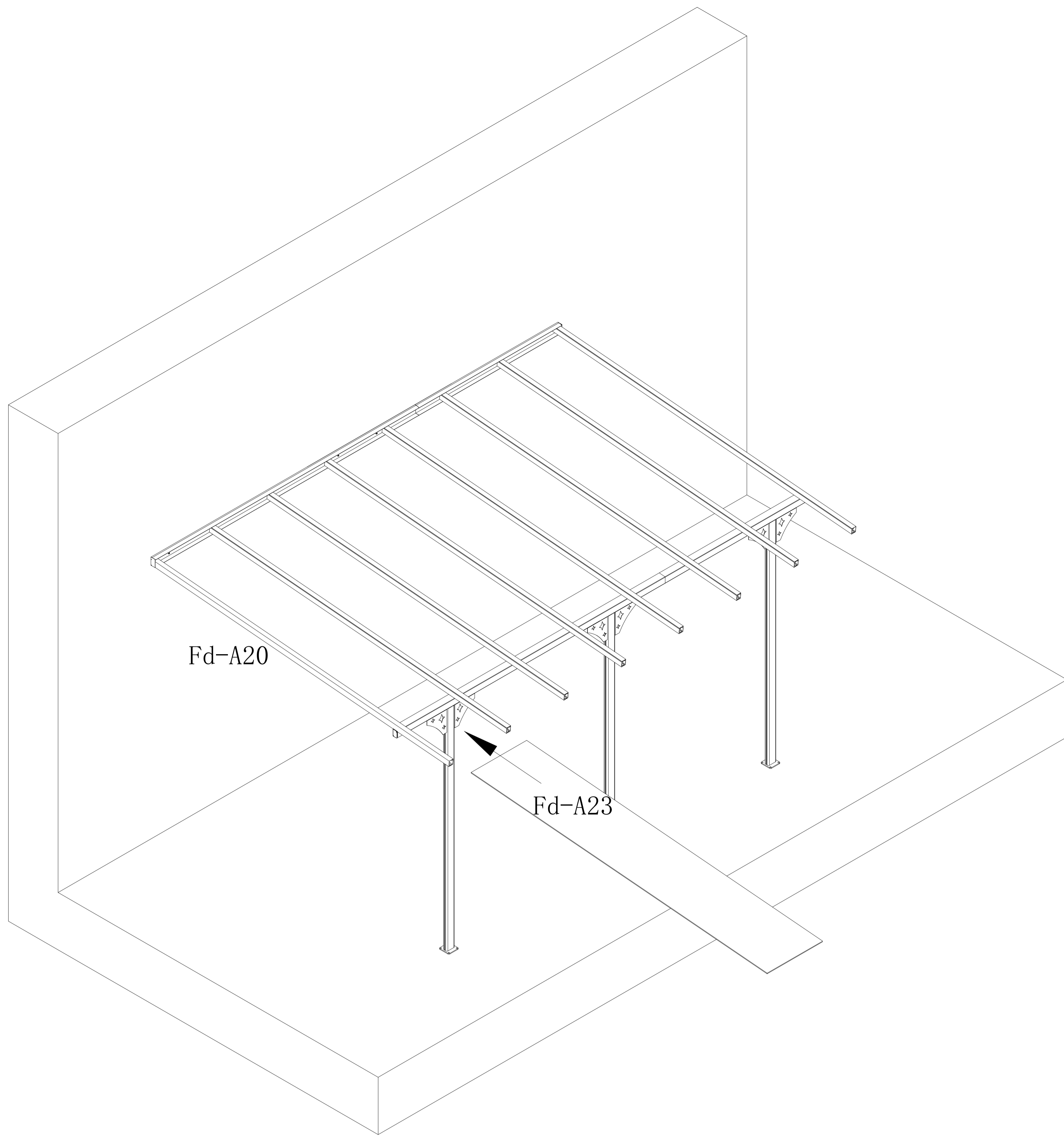
I



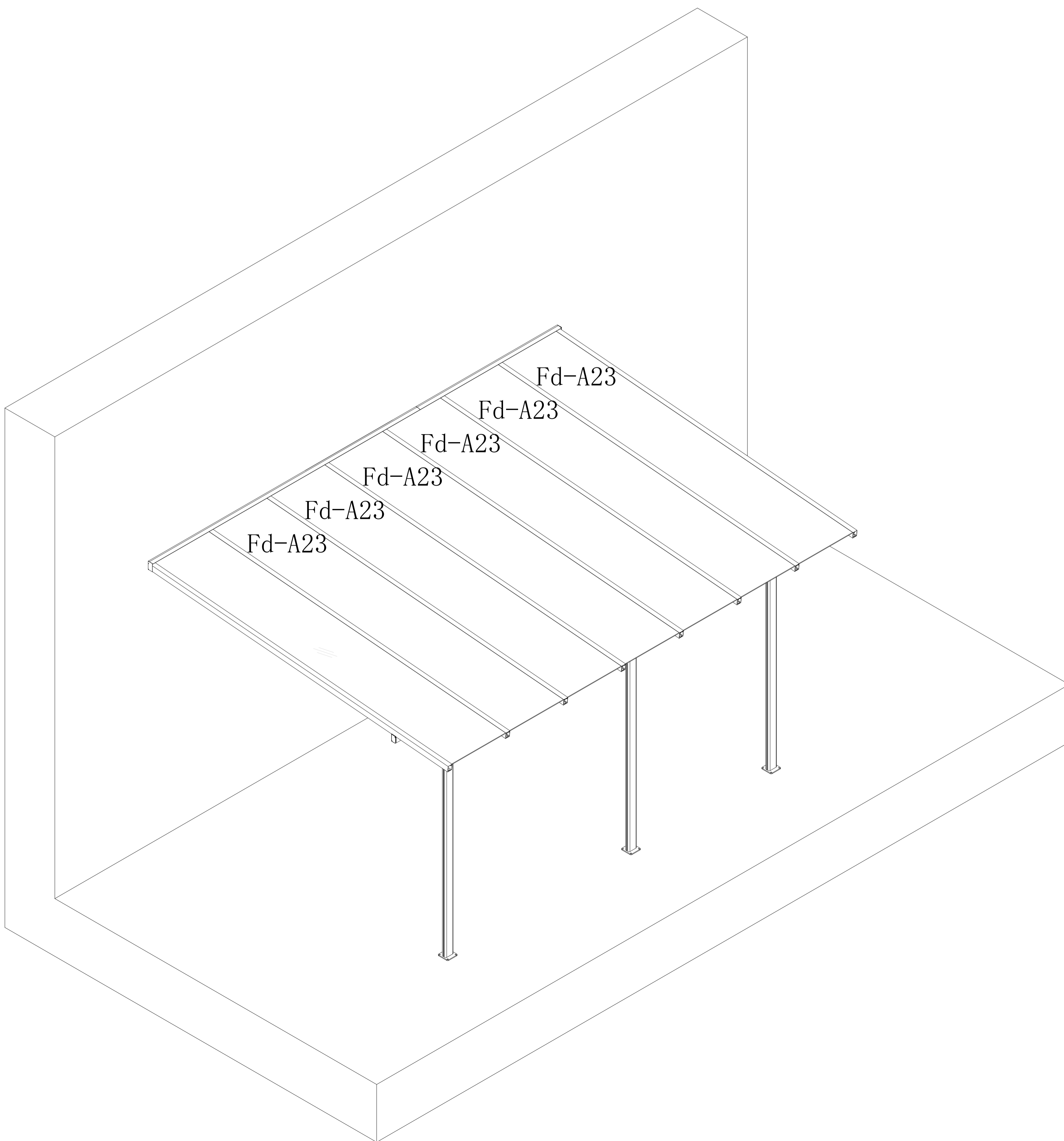
II



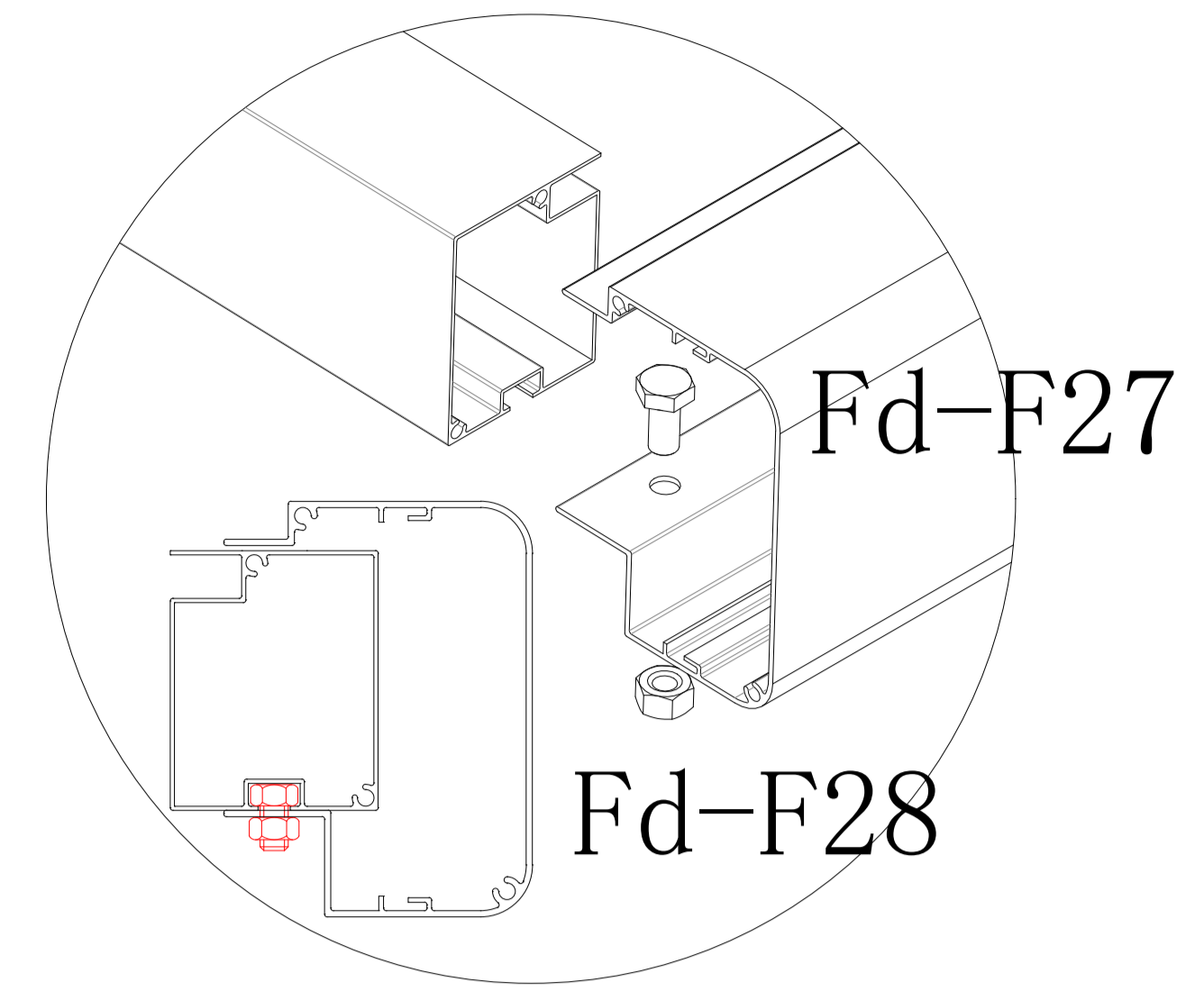
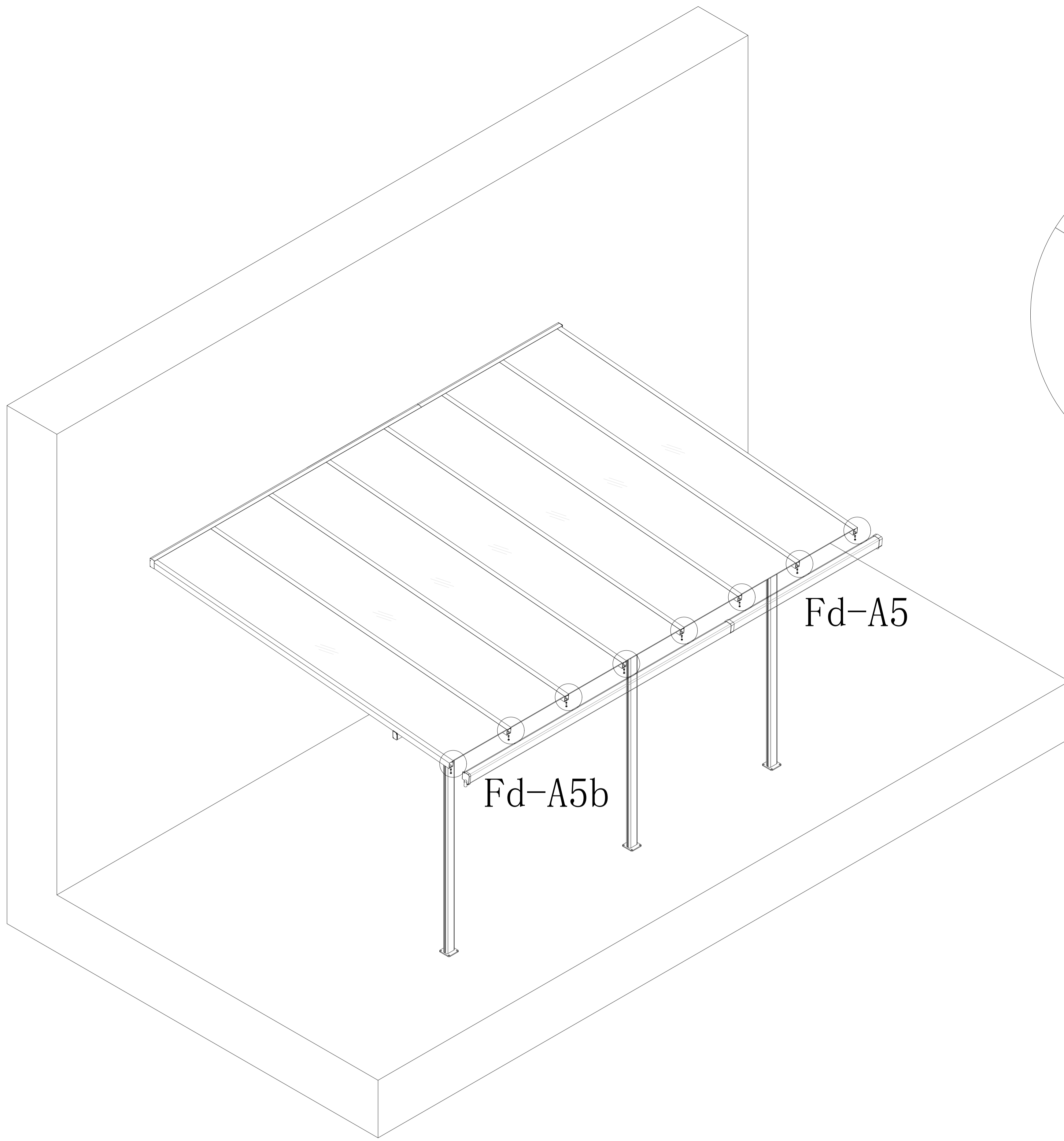
Fd-A19		6
Fd-F27		6
Fd-F28		6



Fd-A23		1
--------	--	---



Fd-A23		6
--------	--	---



Fd-A5		1
Fd-A5b		1
Fd-F27		8
Fd-F28		8

