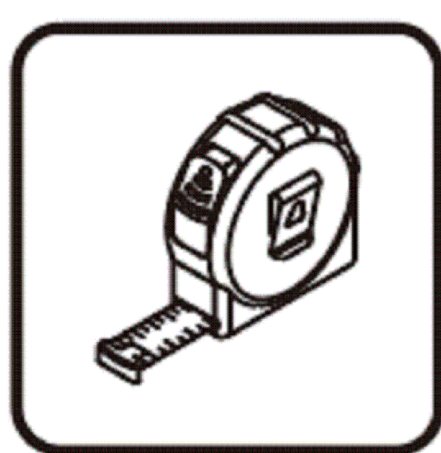
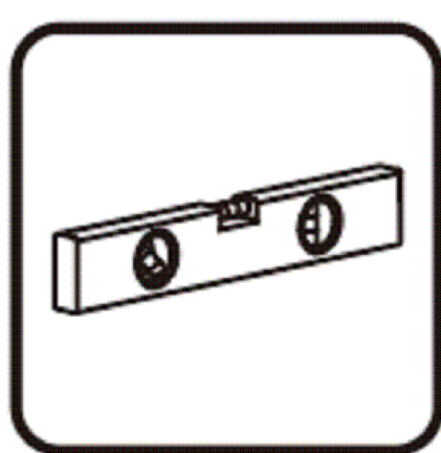
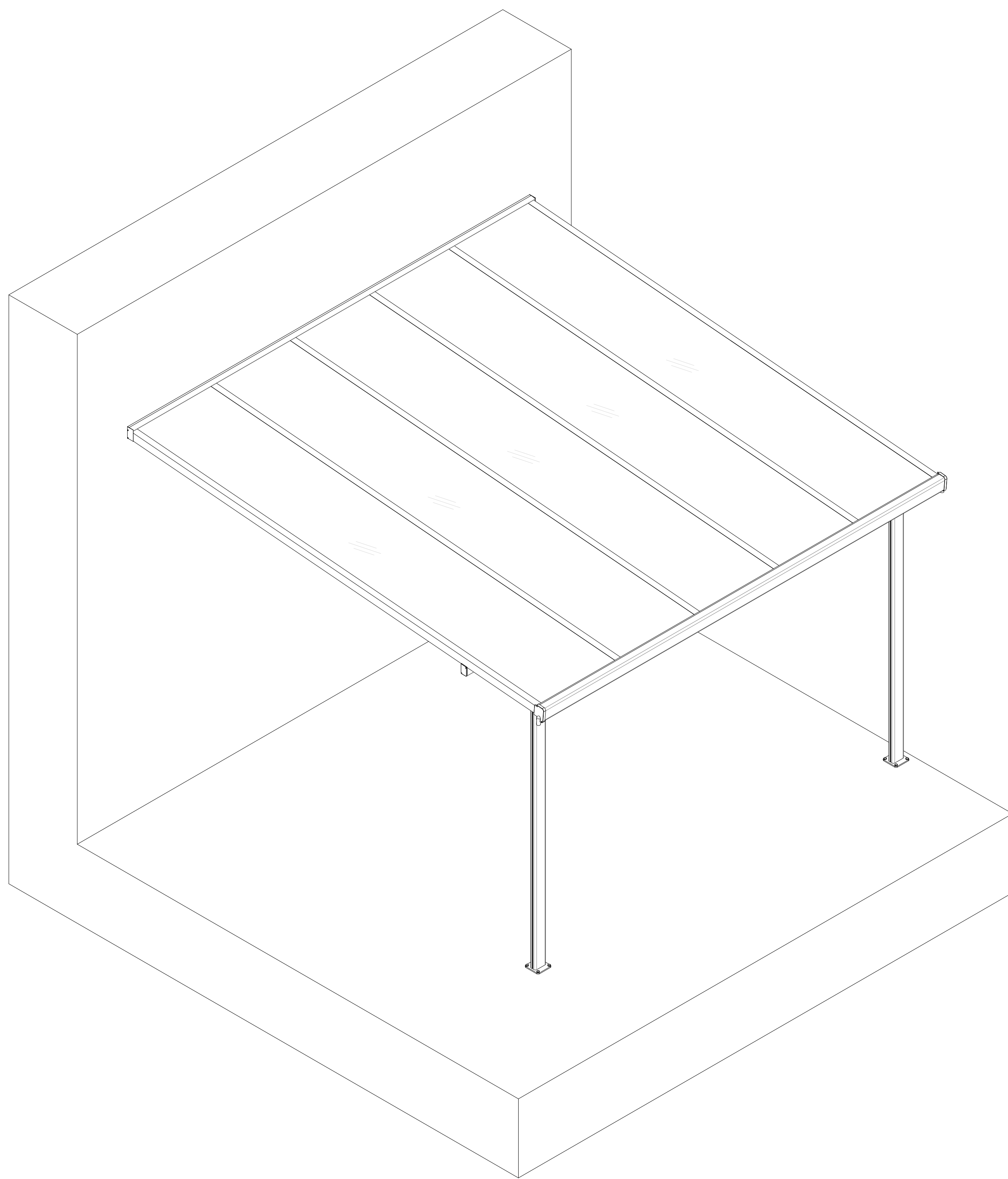
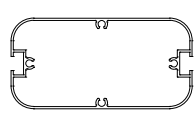
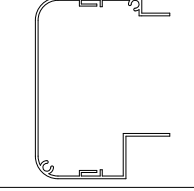
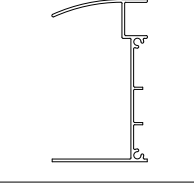
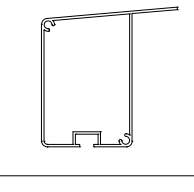
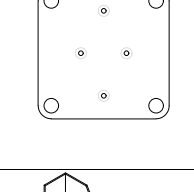
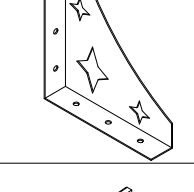
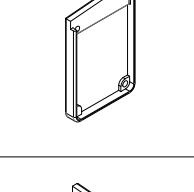
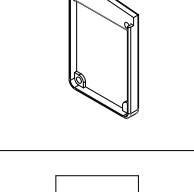
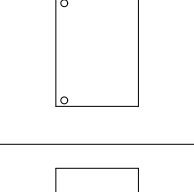
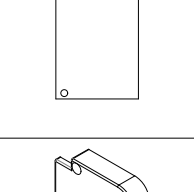
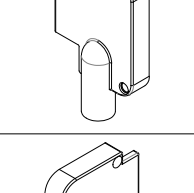
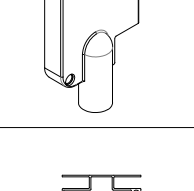
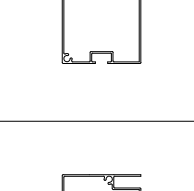
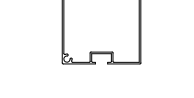
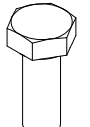

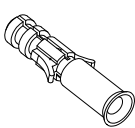

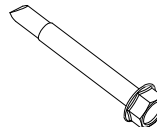

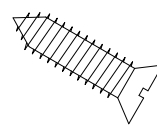
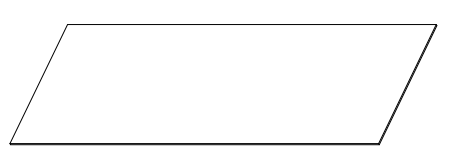


# ALUMINIUM PATIO COVER 3X3M

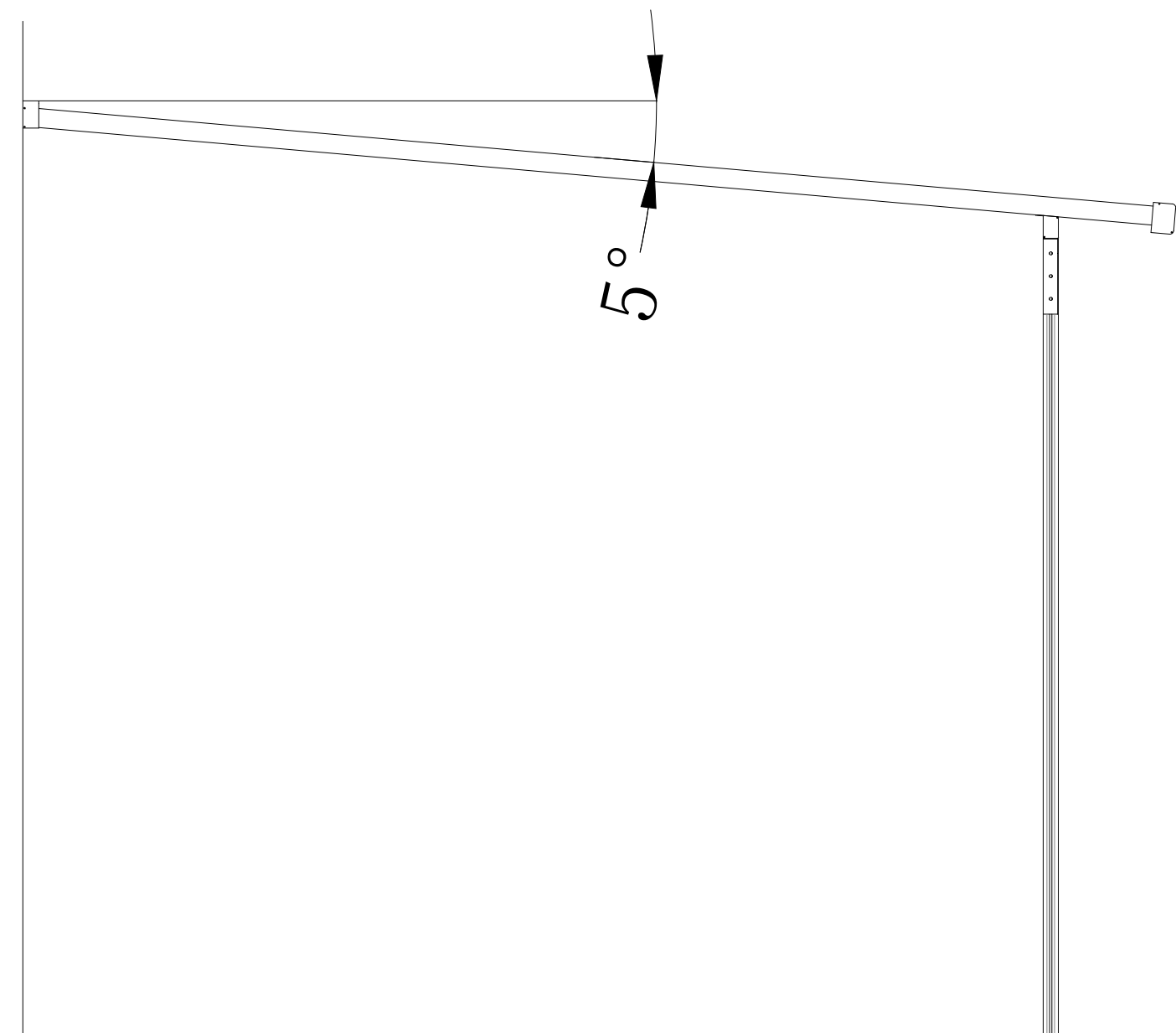
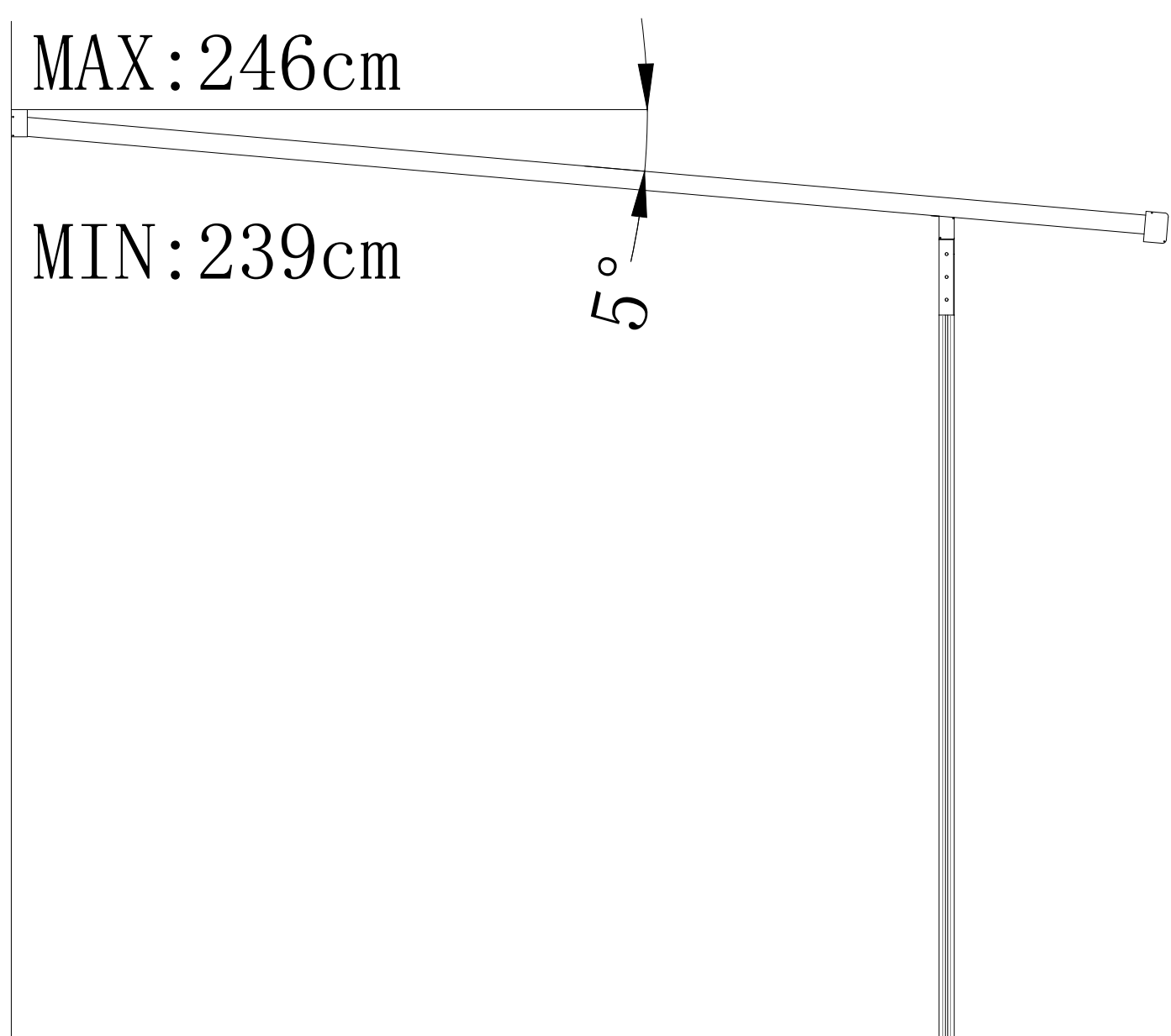
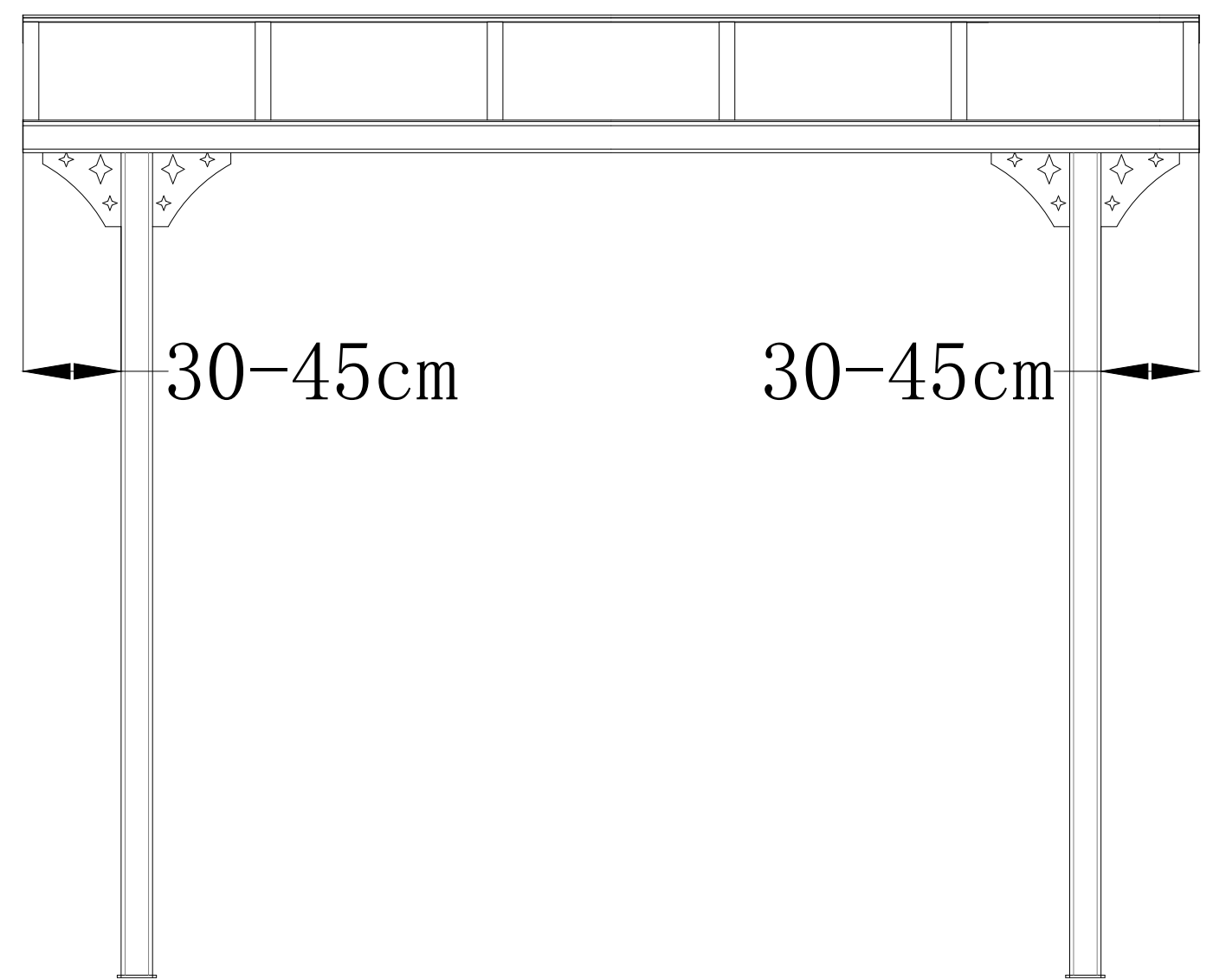
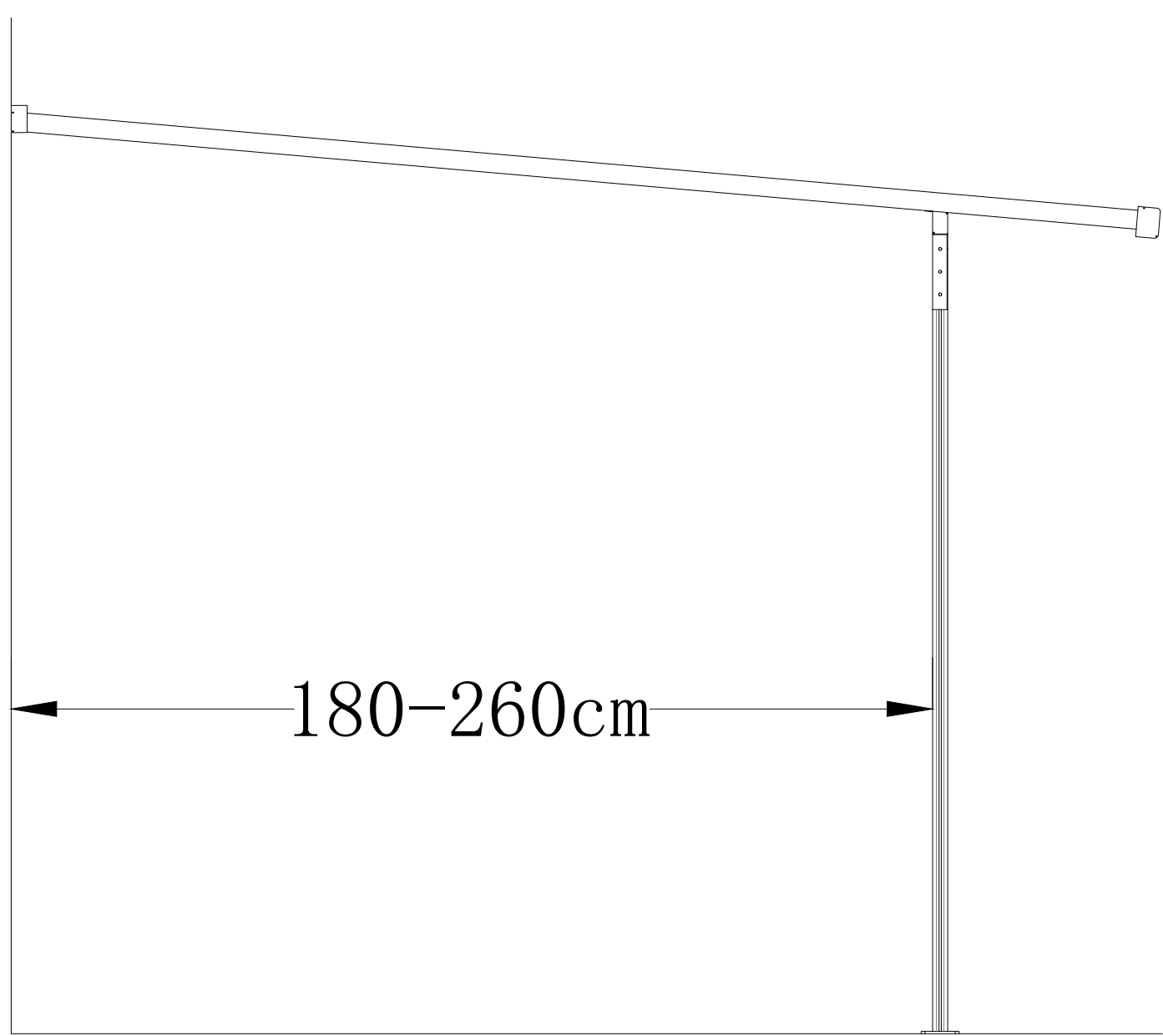
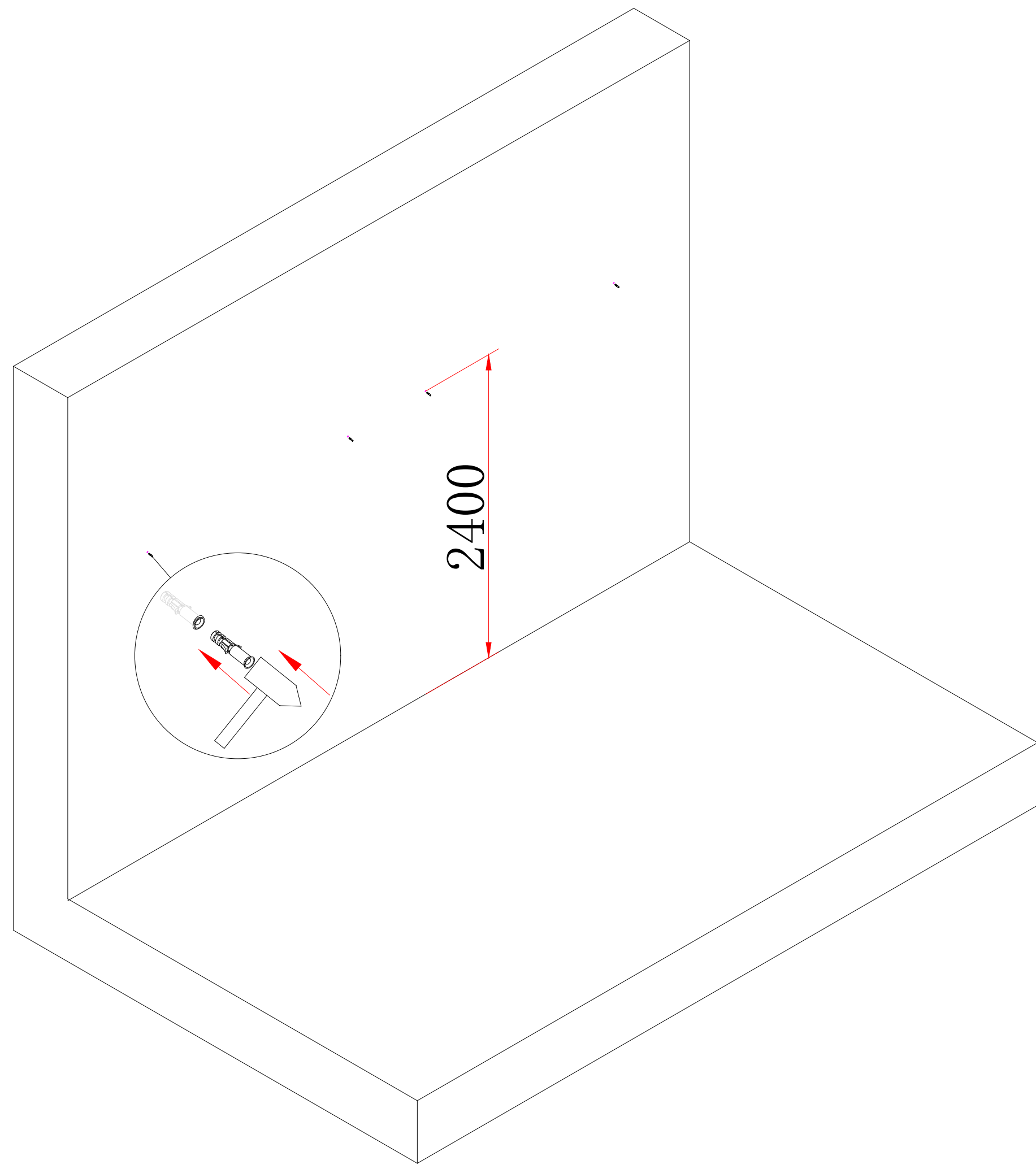
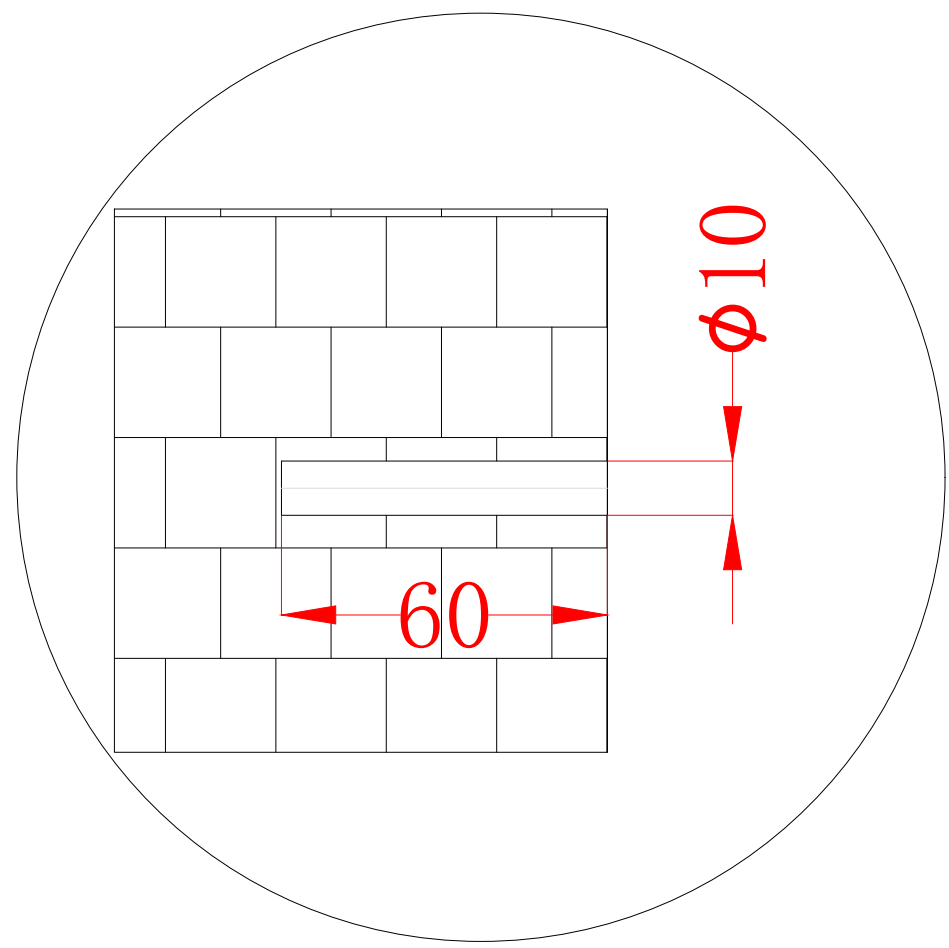


Name of parts	Section	QTY (pcs)
Box 1/2		
Fd-8		2
Fd-A5		1
Fd-A24		1
Fd-A12		1
Fd-1		2
Fd-4		4
Fd-P1L		1
Fd-P1R		1
Fd-P2L		1
Fd-P2R		1
Fd-P3L		1
Fd-P3R		1
Fd-A19		4
Fd-A20		2

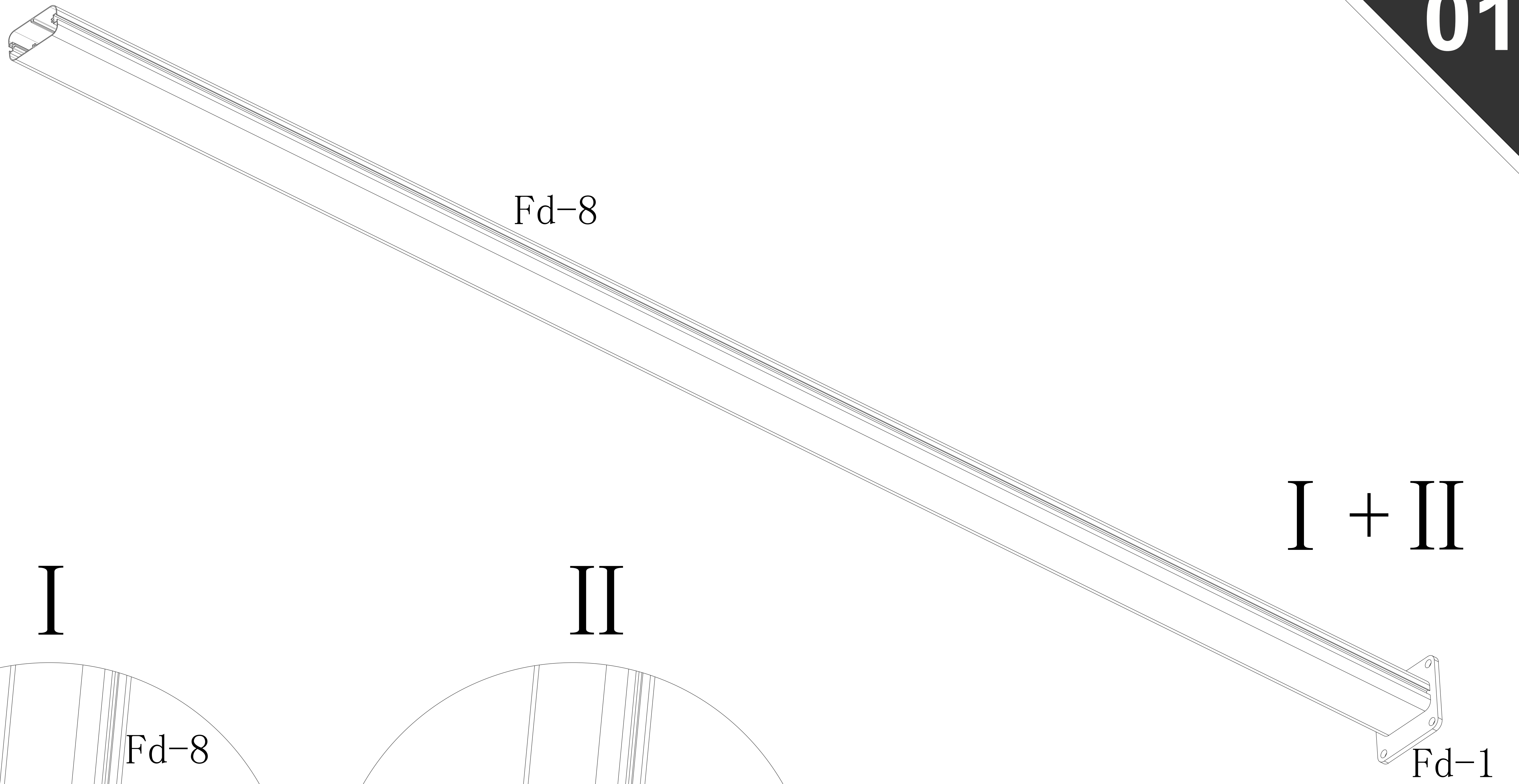
Name of parts	Section	QTY (pcs)
Box 1/2		
Fd-F27		42+2
Fd-F28		42+2
Fd-F30		4
Fd-F31		8
Fd-F32		4
Fd-F33		8
Fd-F35		12
instruction manual		1

Name of parts	Section	QTY (pcs)
Box 2/2		
Fd-A23		5





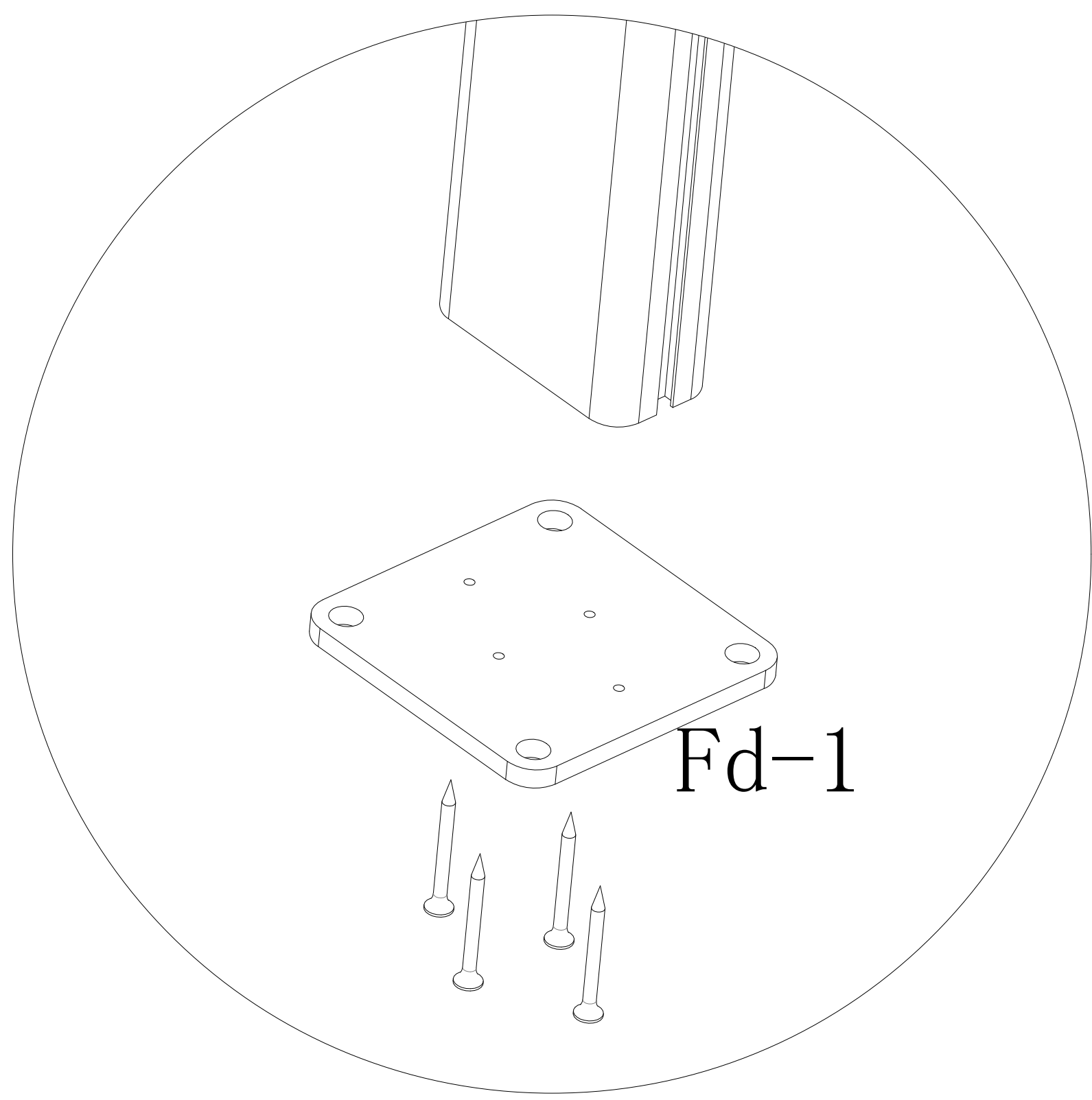
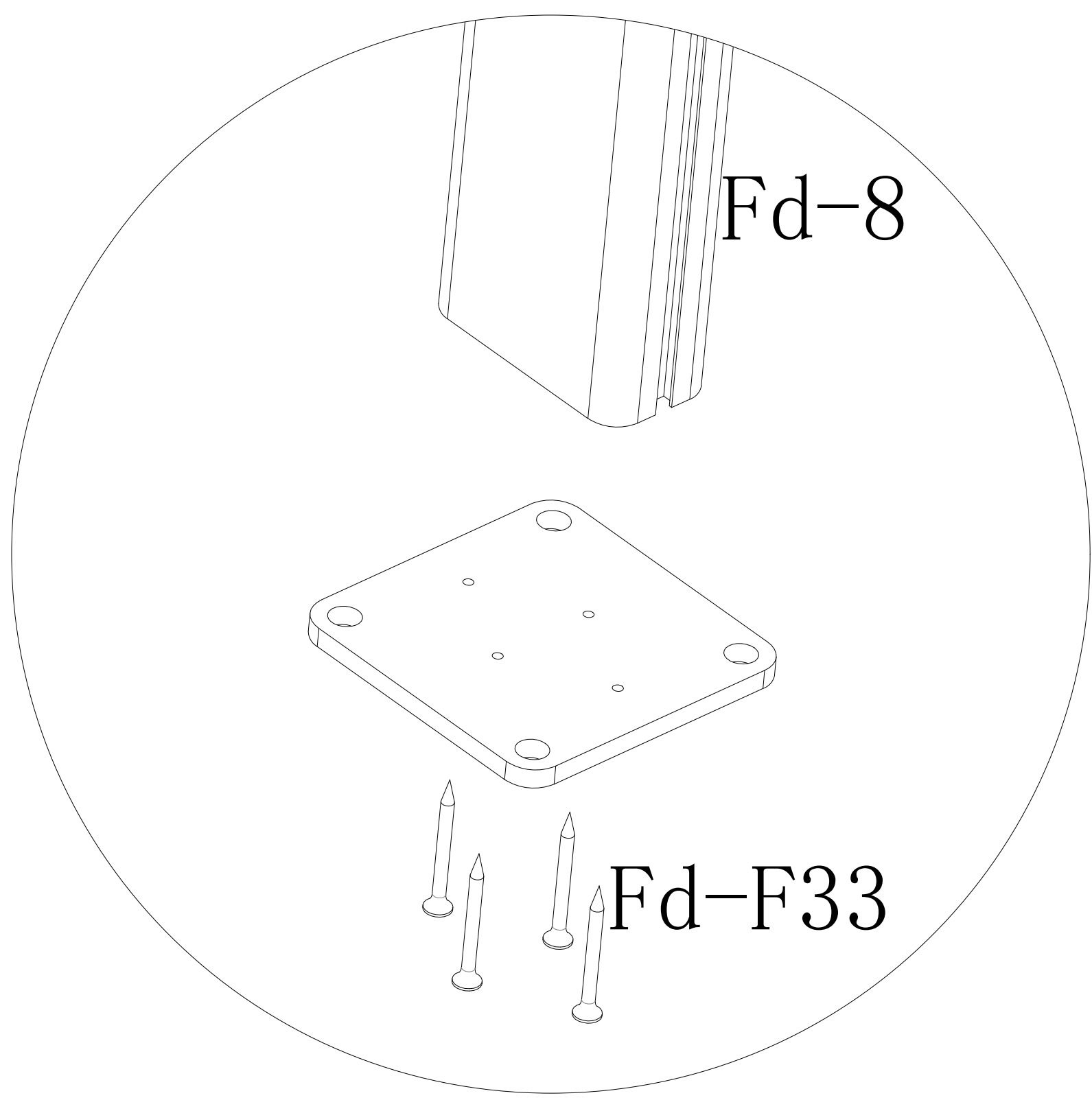




I

II

I + II

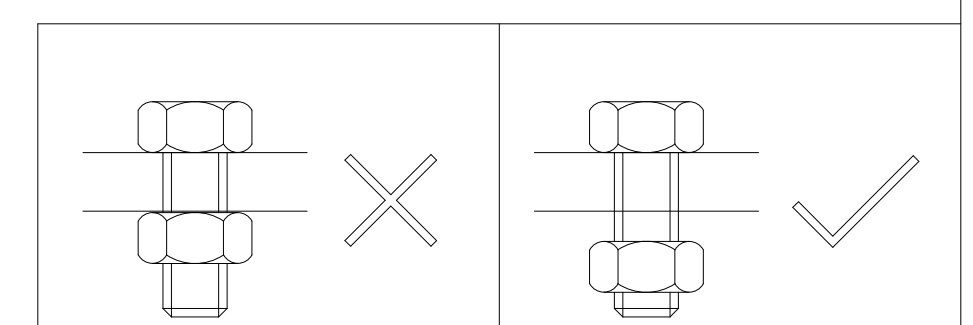
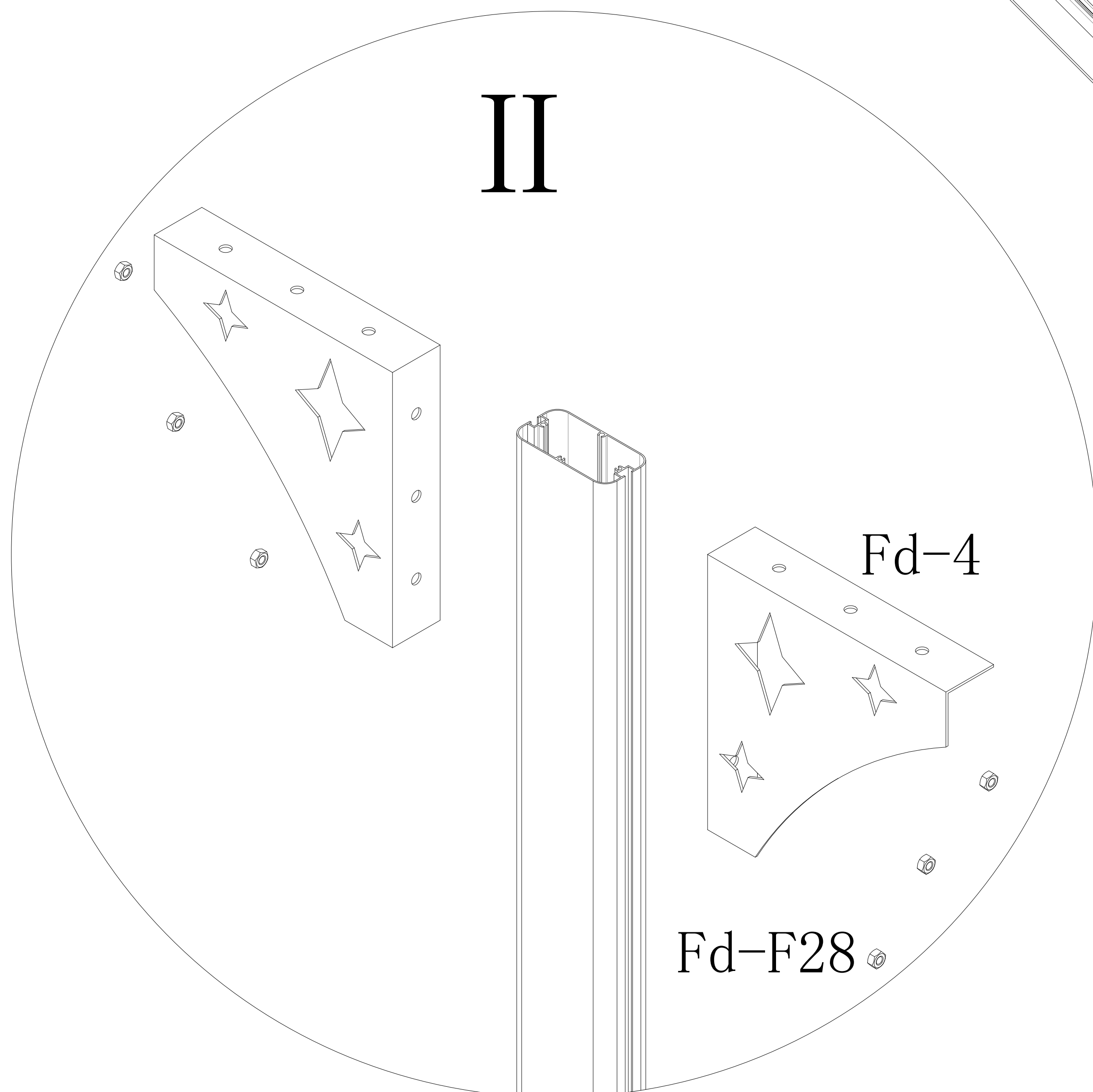
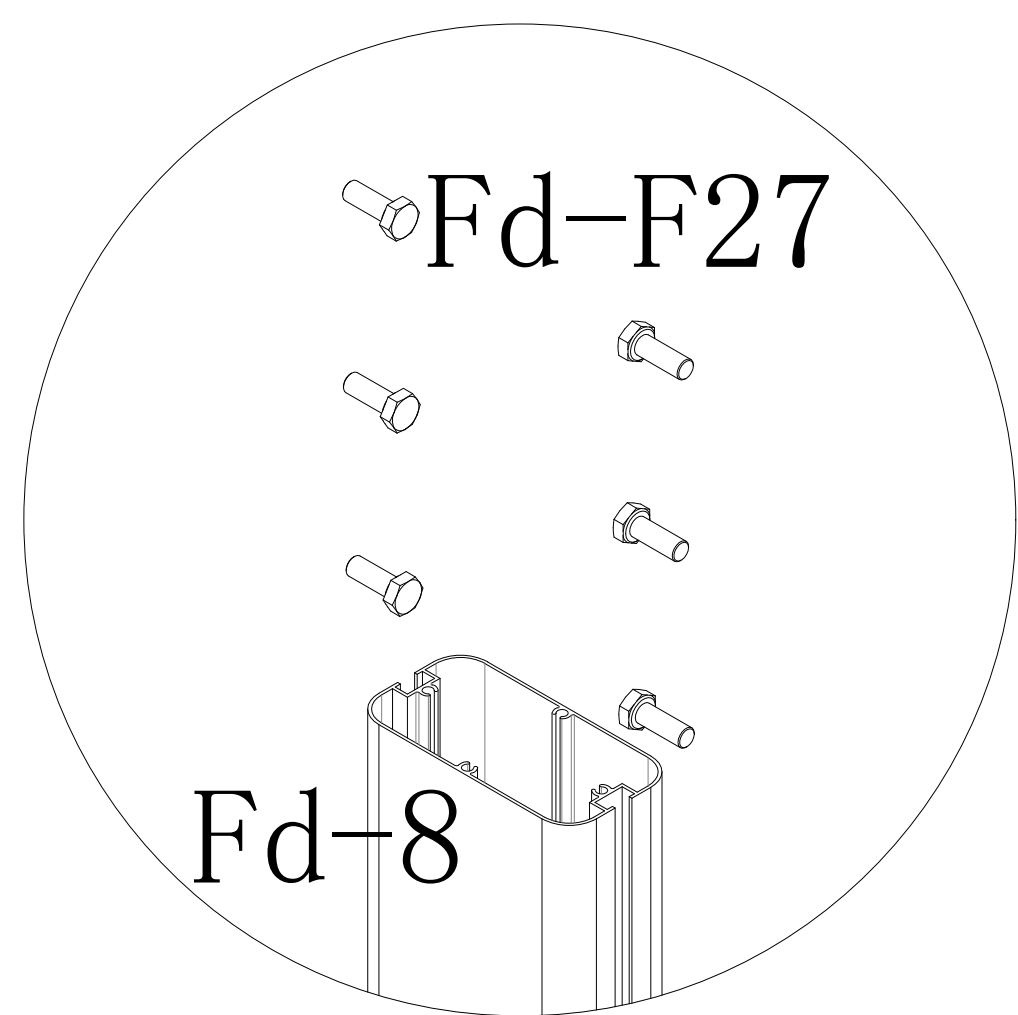
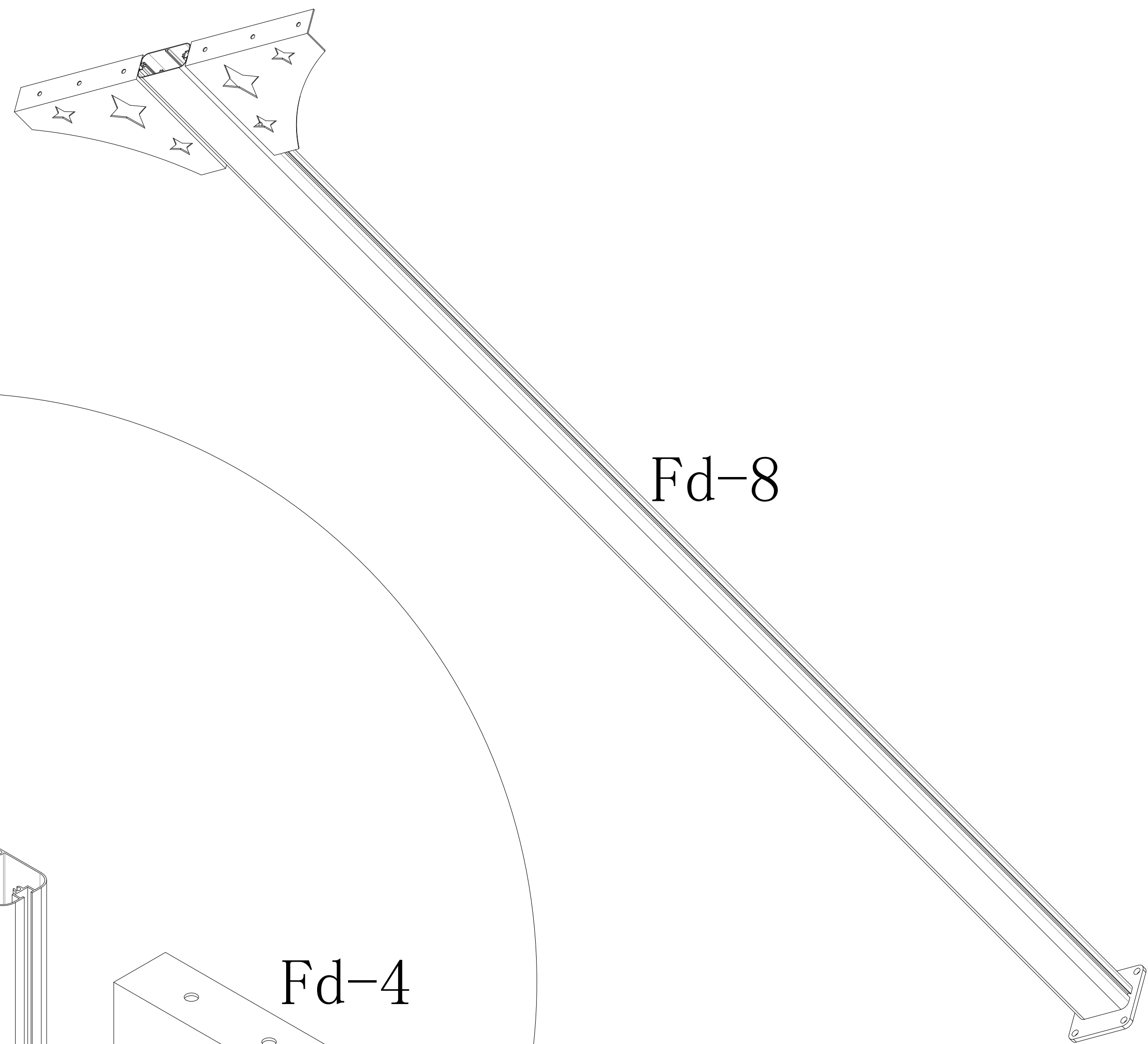


Fd-1		2
Fd-8		2
Fd-F33		8

I + II

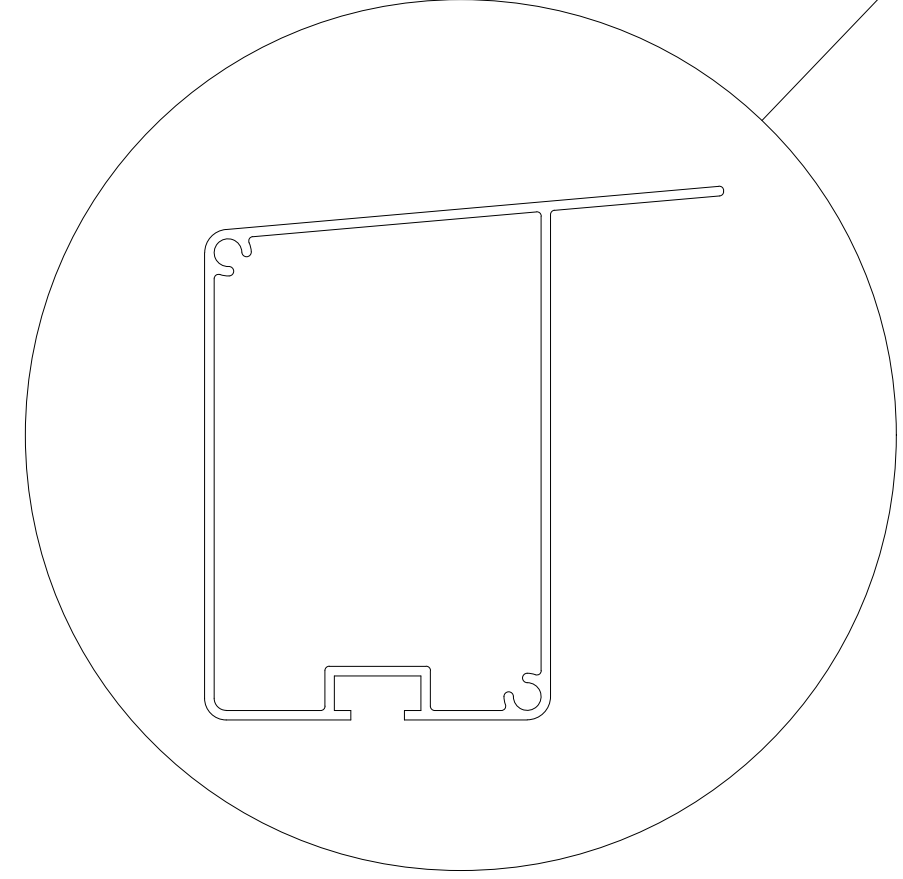
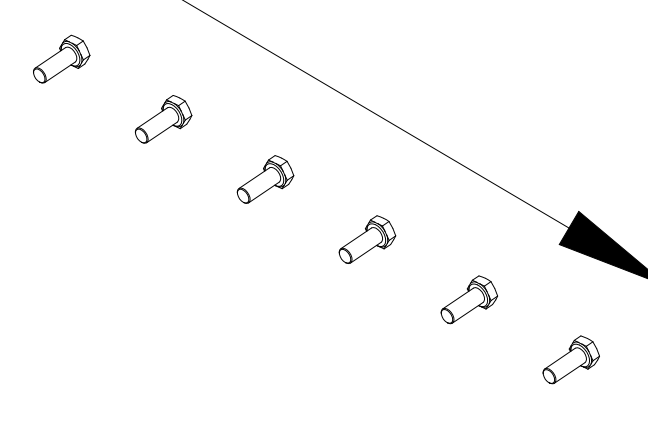
I

II



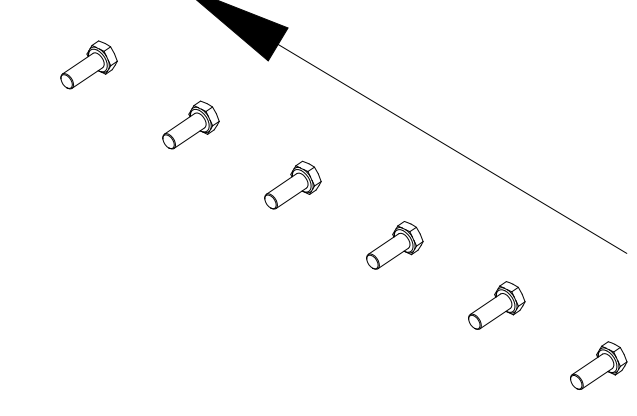
Fd-4		4
Fd-8		2
Fd-F27		12
Fd-F28		12

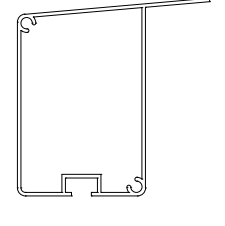
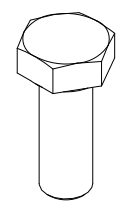
Fd-F27 \*6

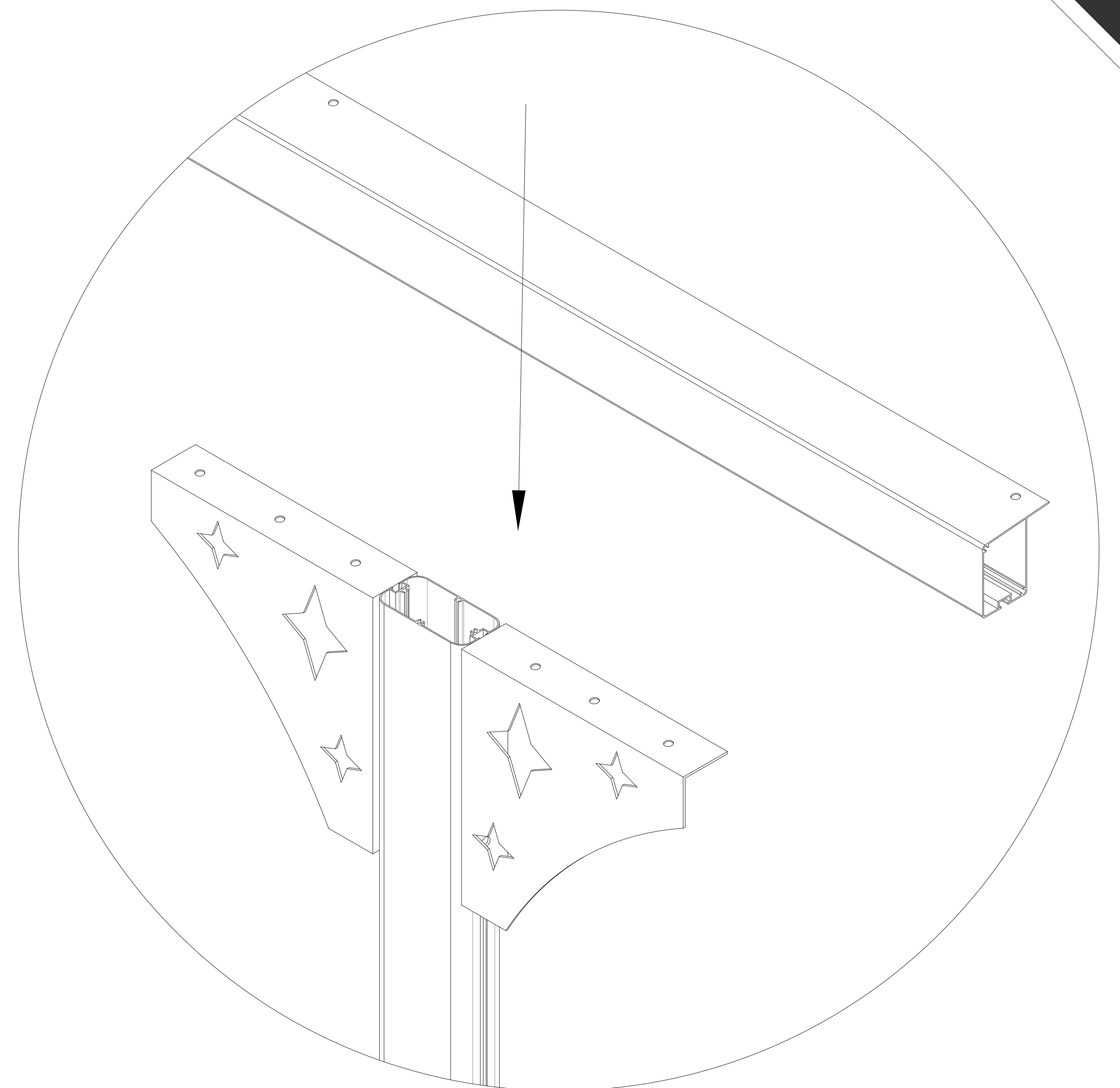
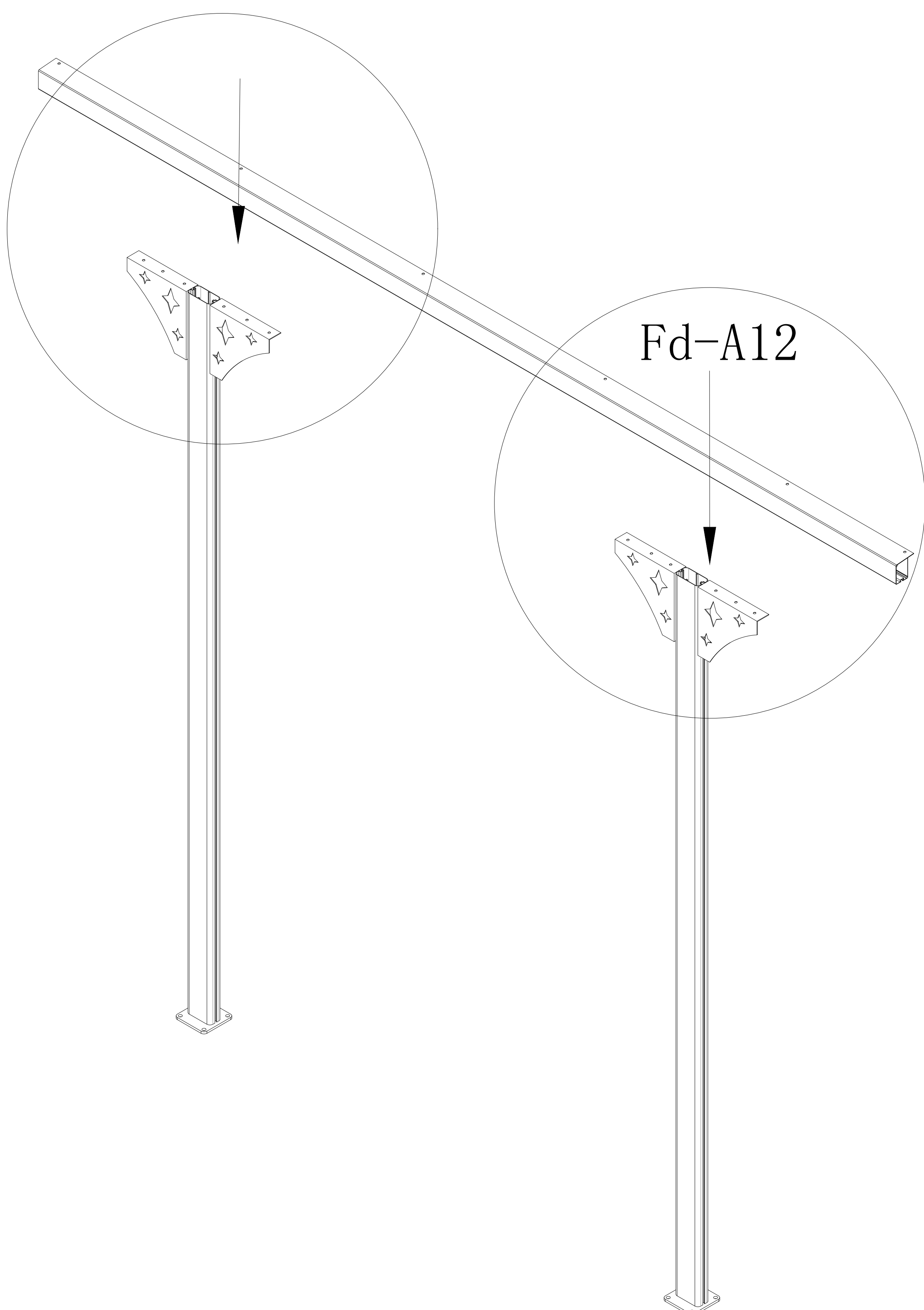


Fd-A12

Fd-F27 \*6

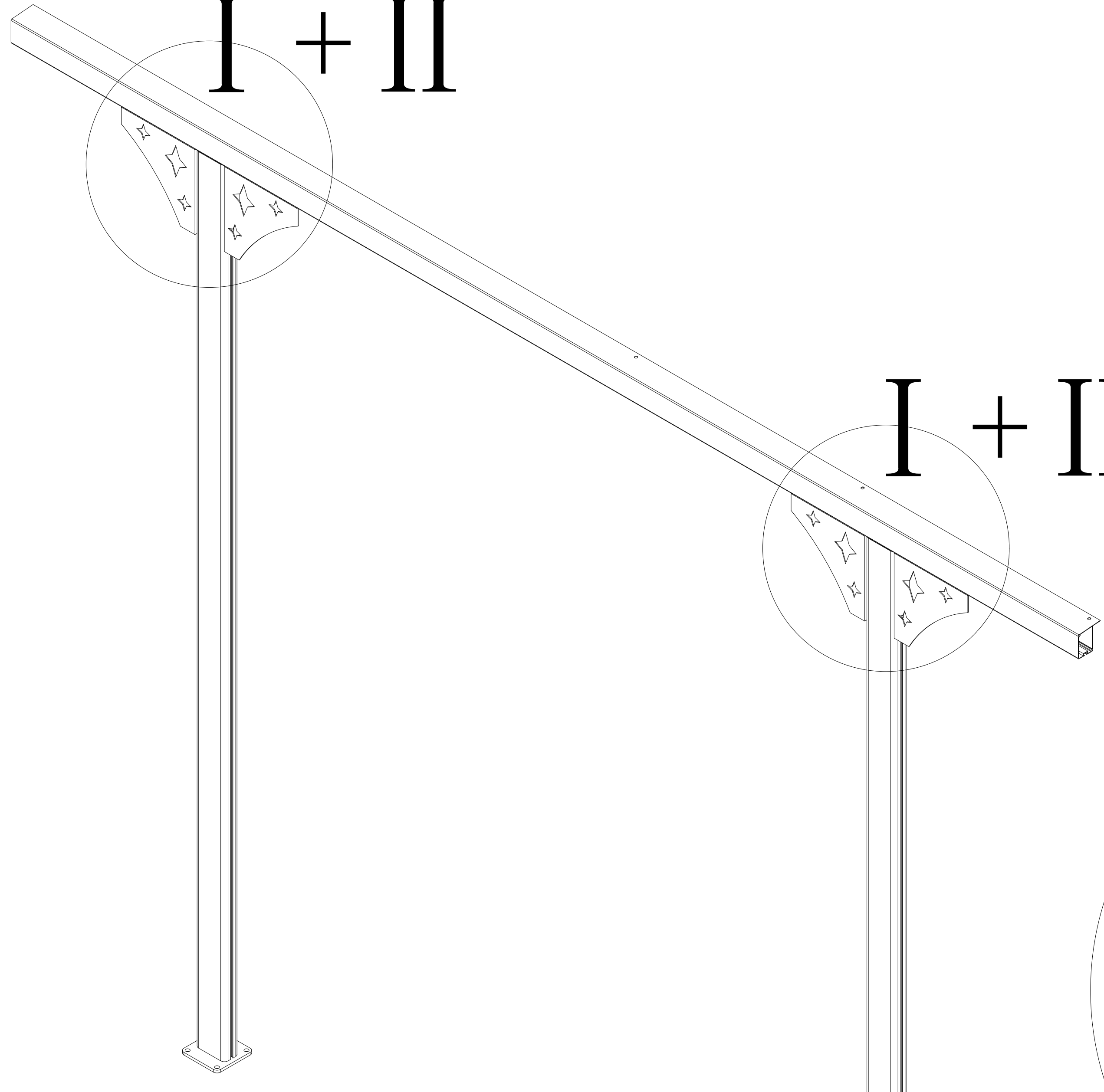


Fd-A12		1
Fd-F27		12

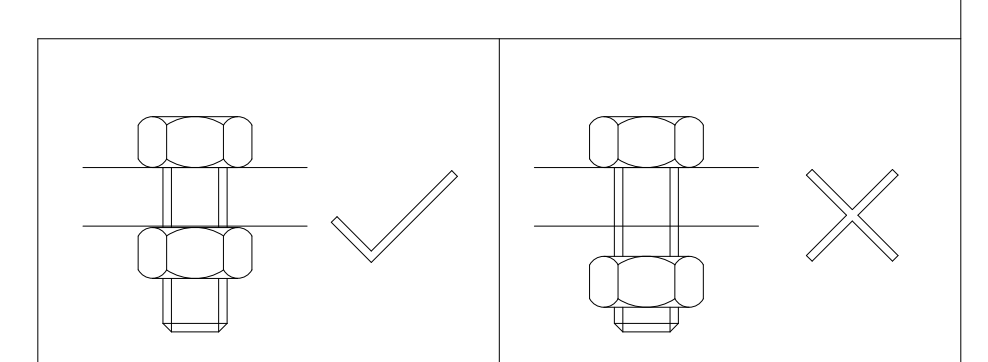
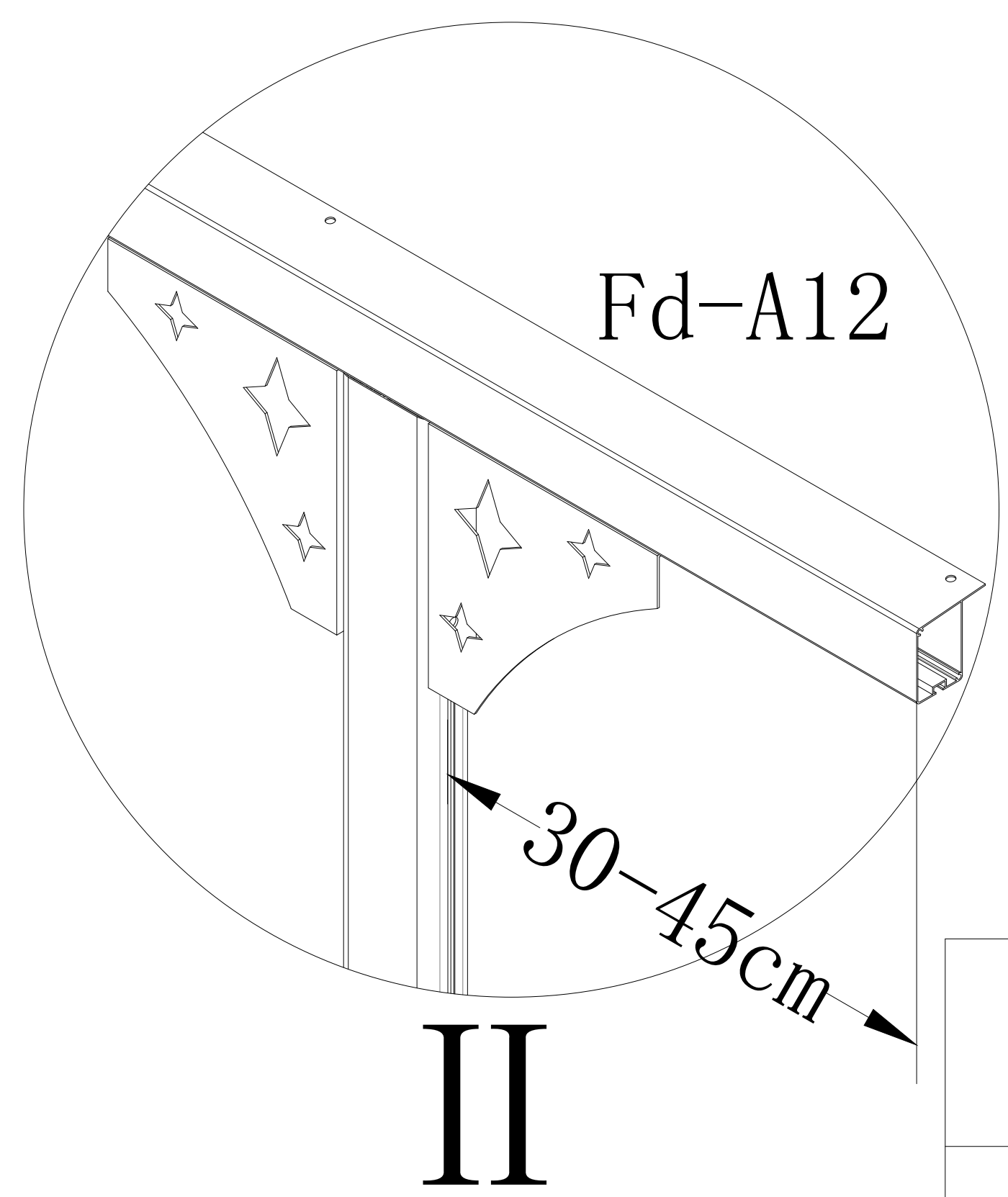
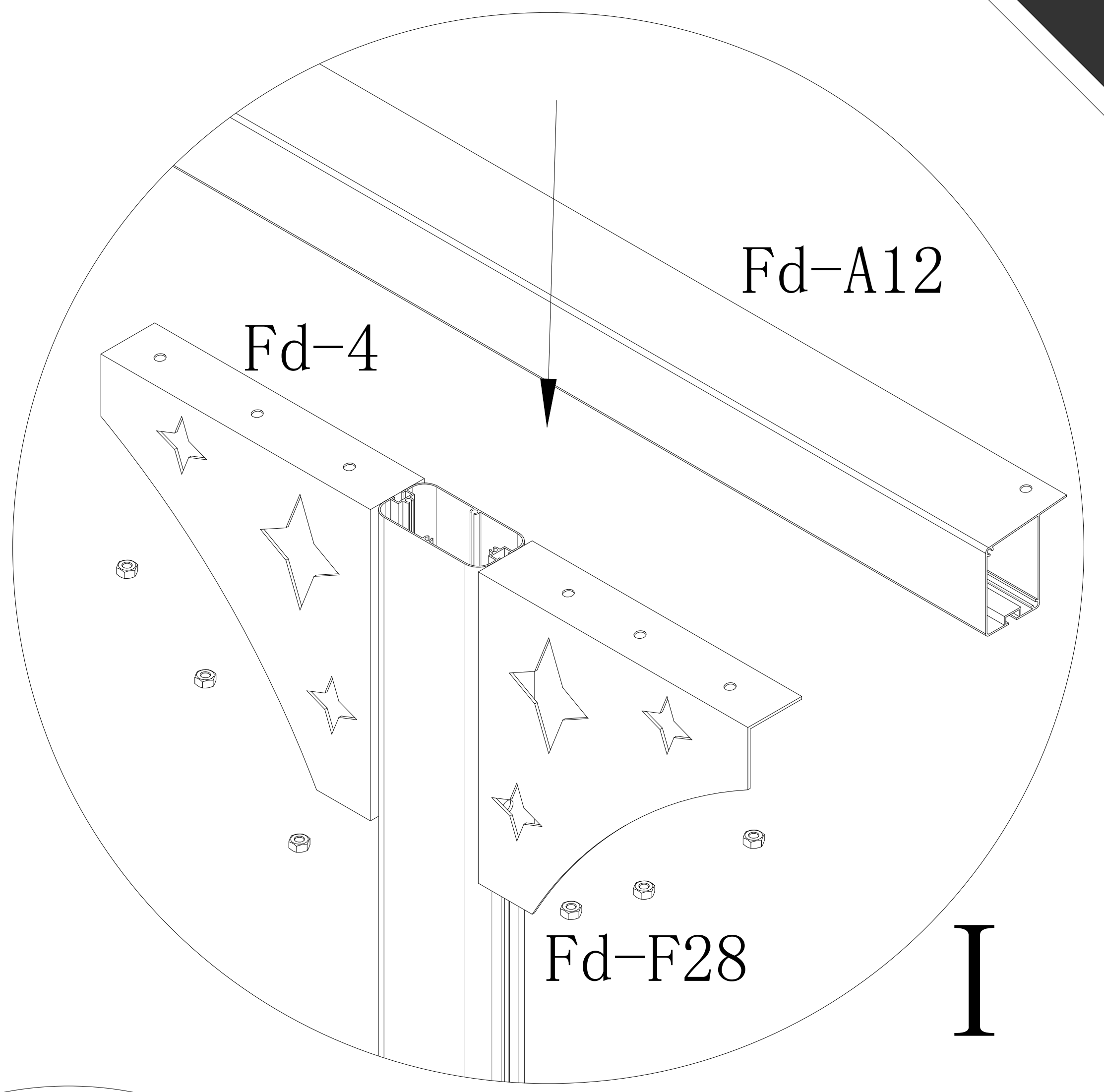




I + II

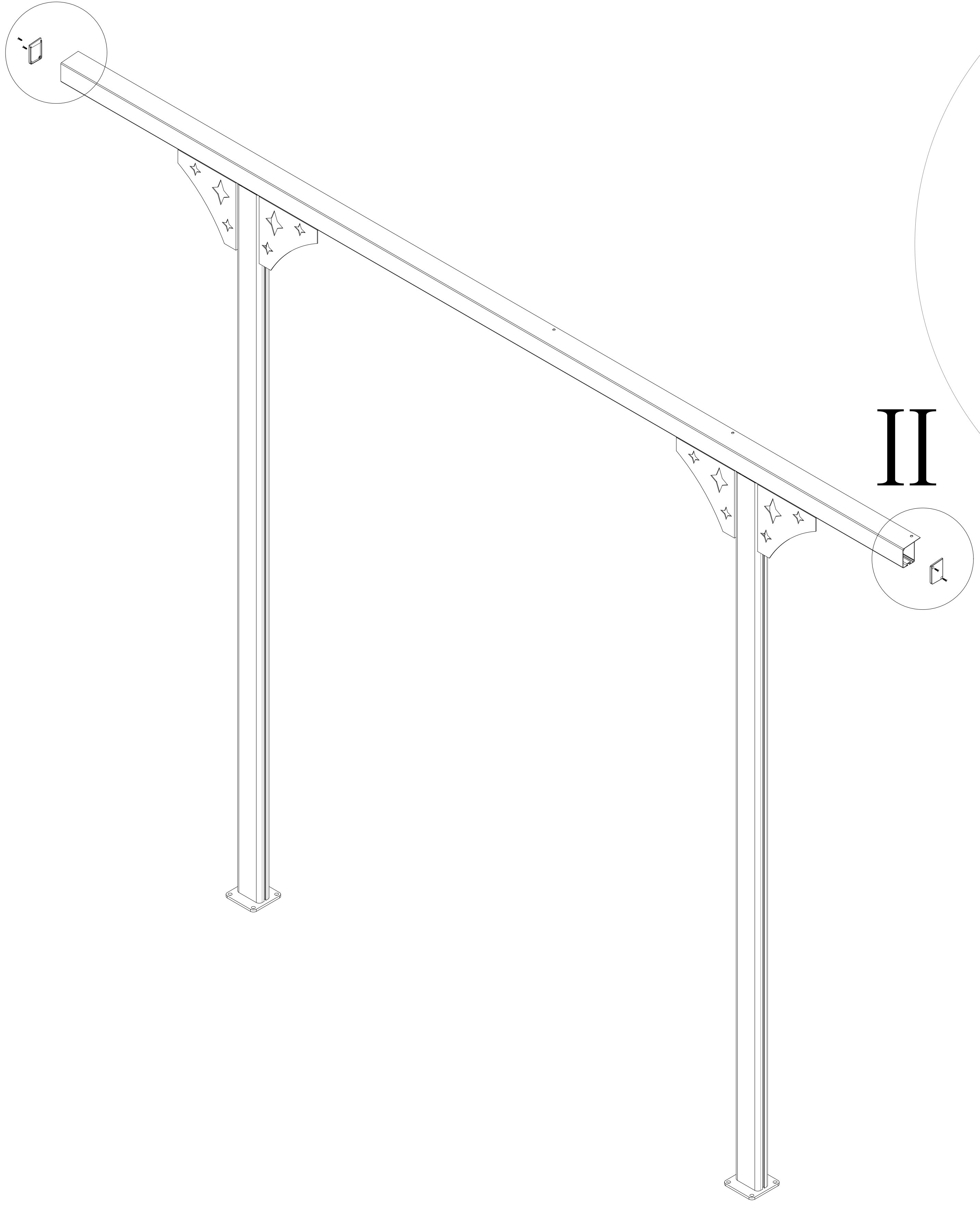


I + II

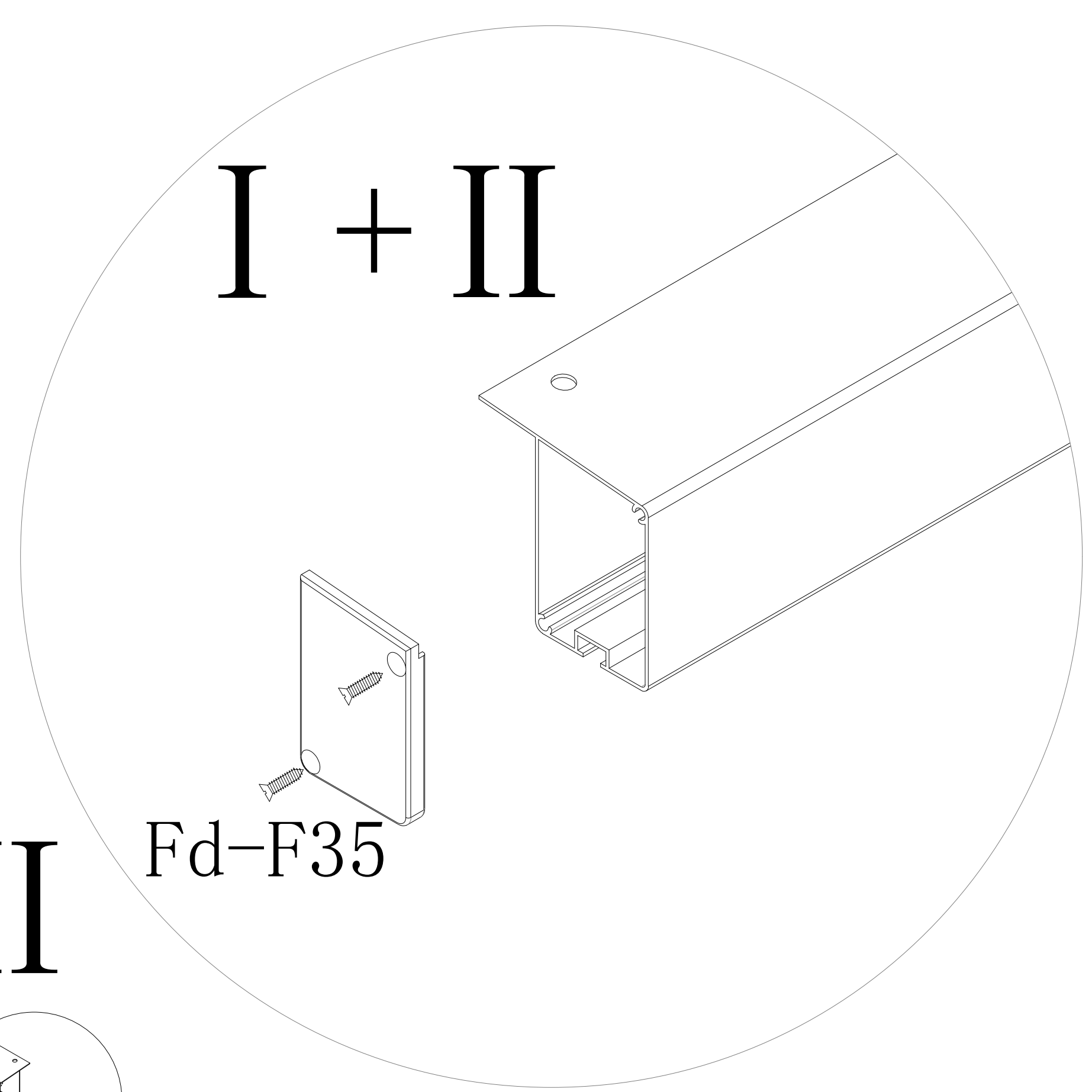


Fd-8		2
Fd-F28		12

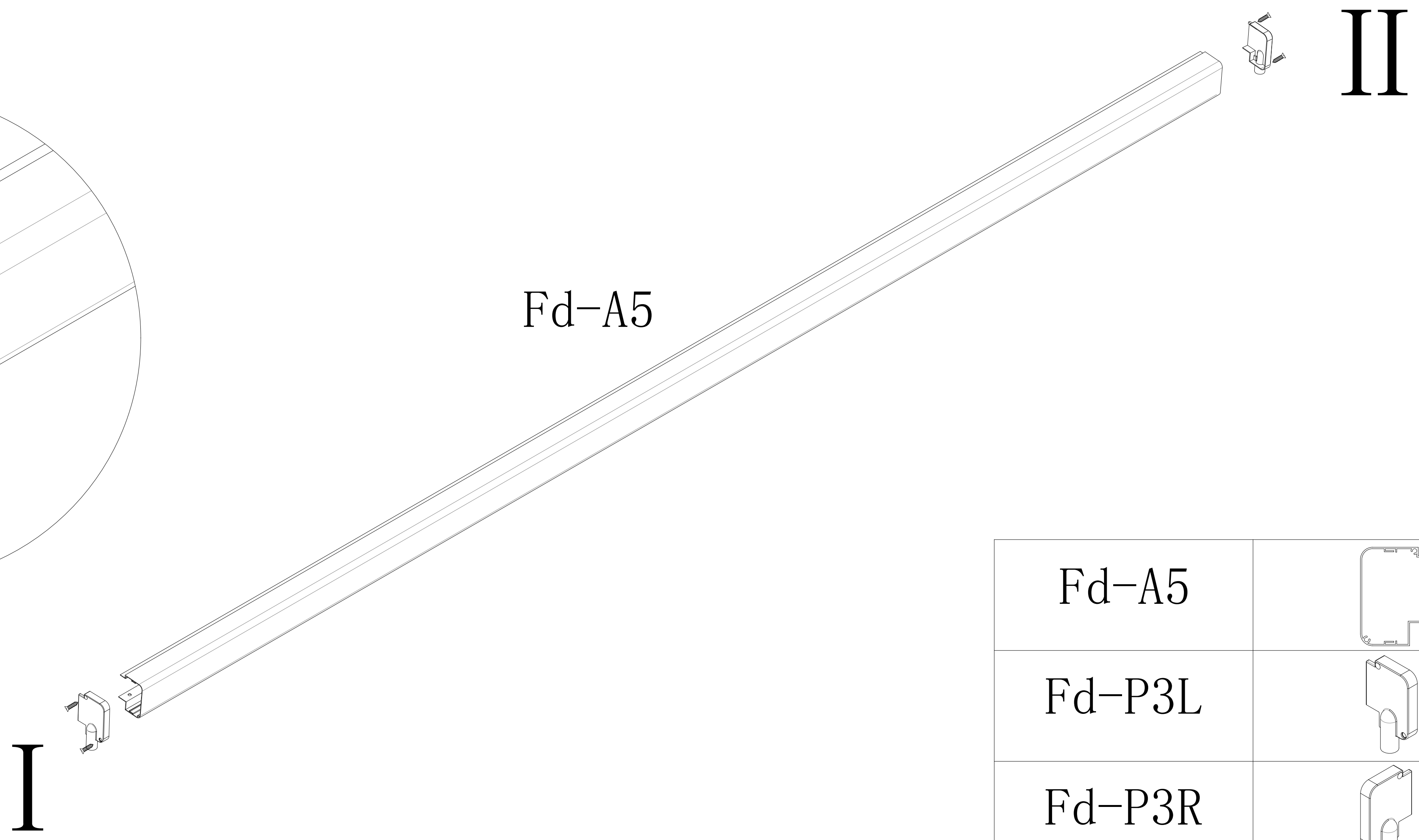
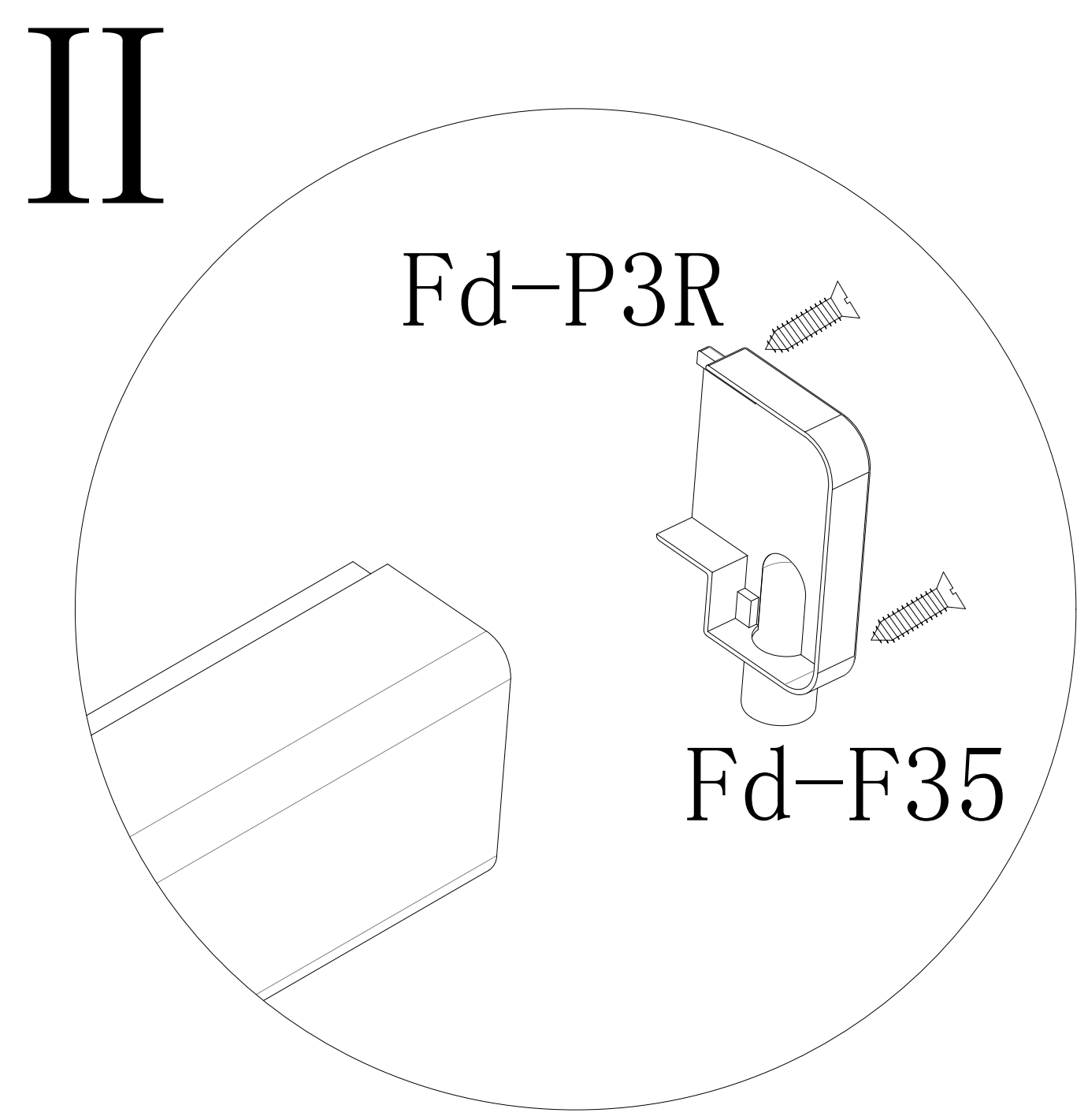
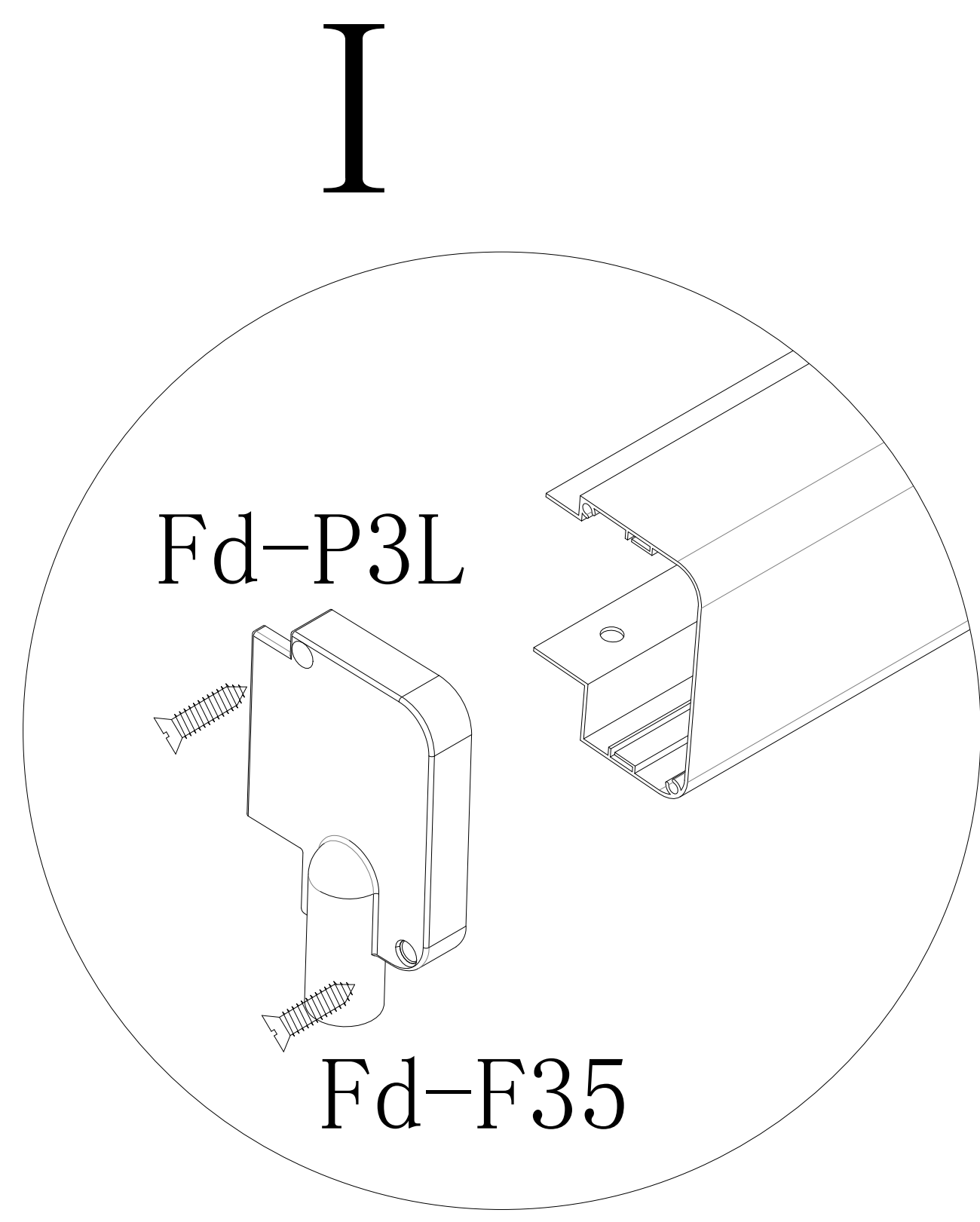
I



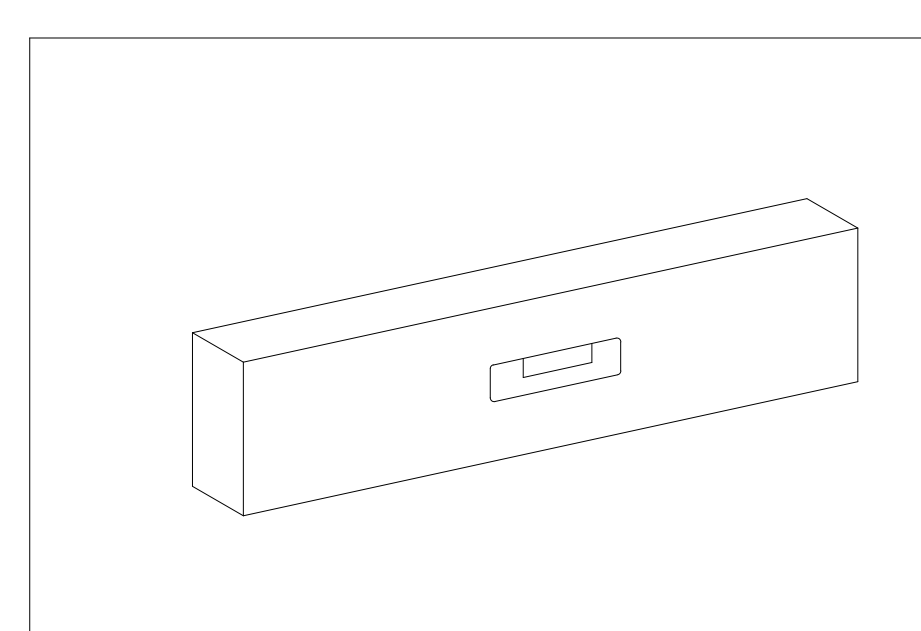
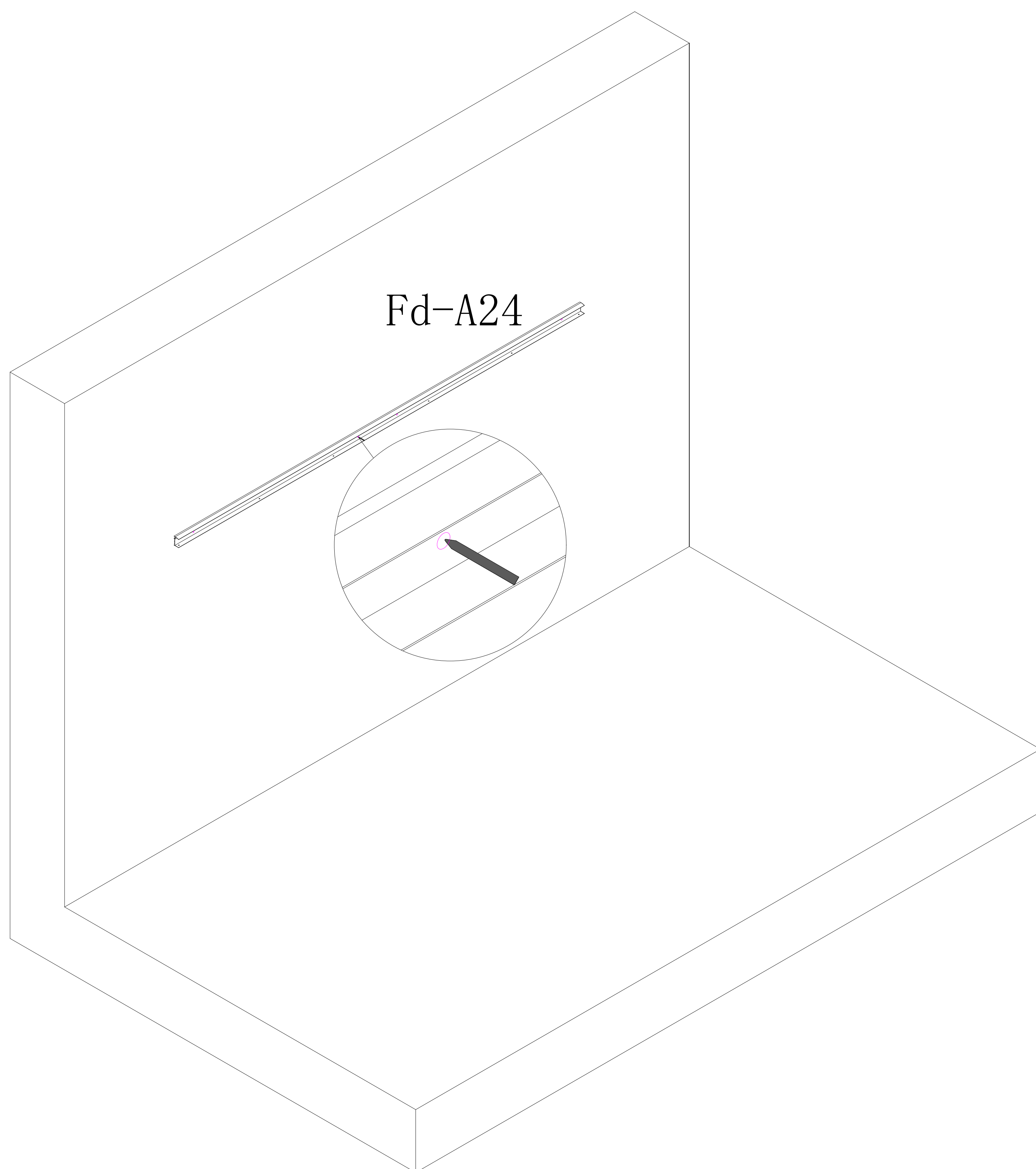
I + II



Fd-P1L		1
Fd-P1R		1
Fd-F35		4

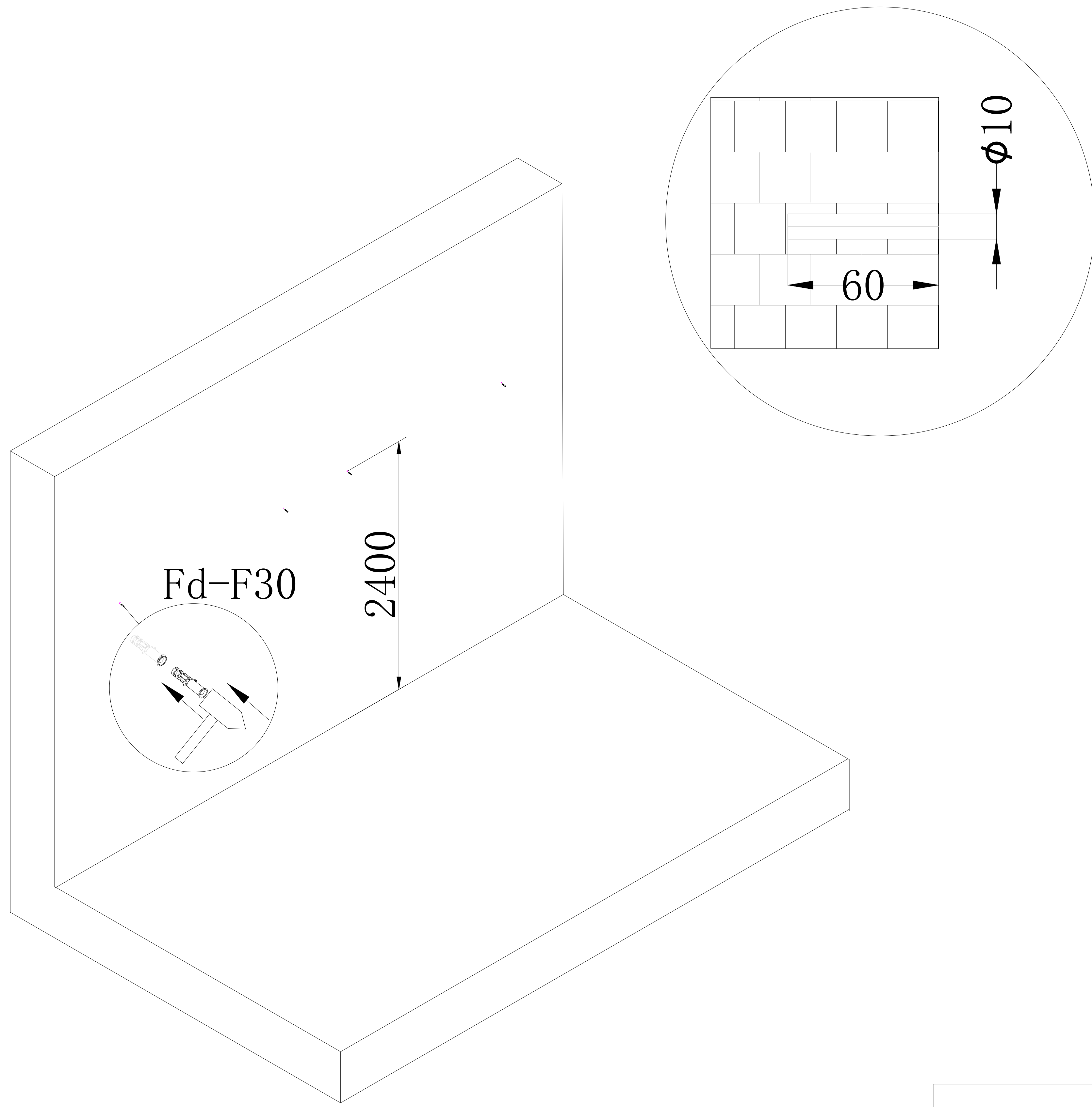


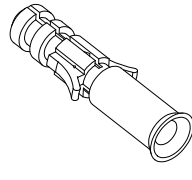
Fd-A5		1
Fd-P3L		1
Fd-P3R		1
Fd-F35		4

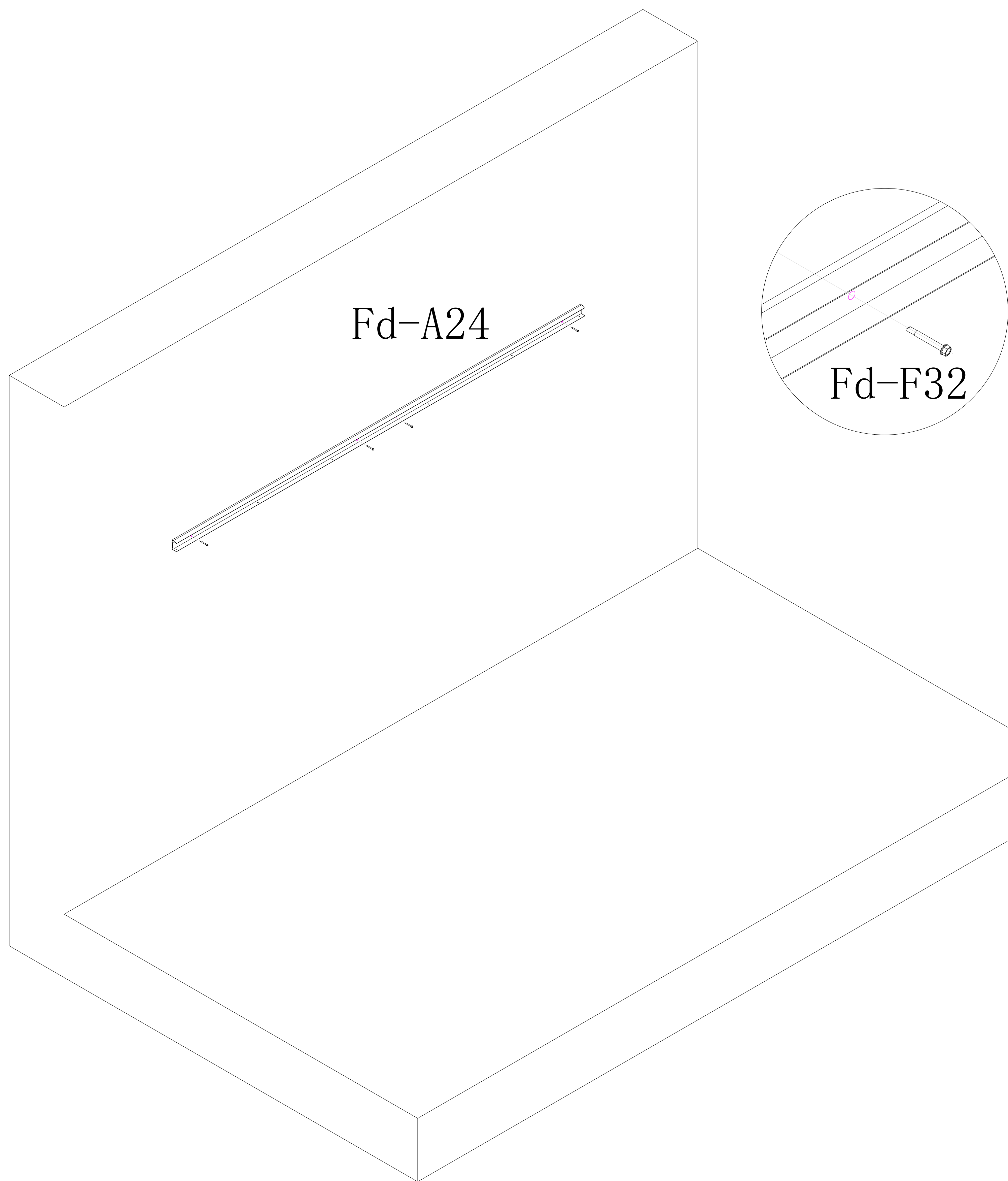


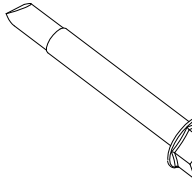
Fd-A24		1
--------	--	---

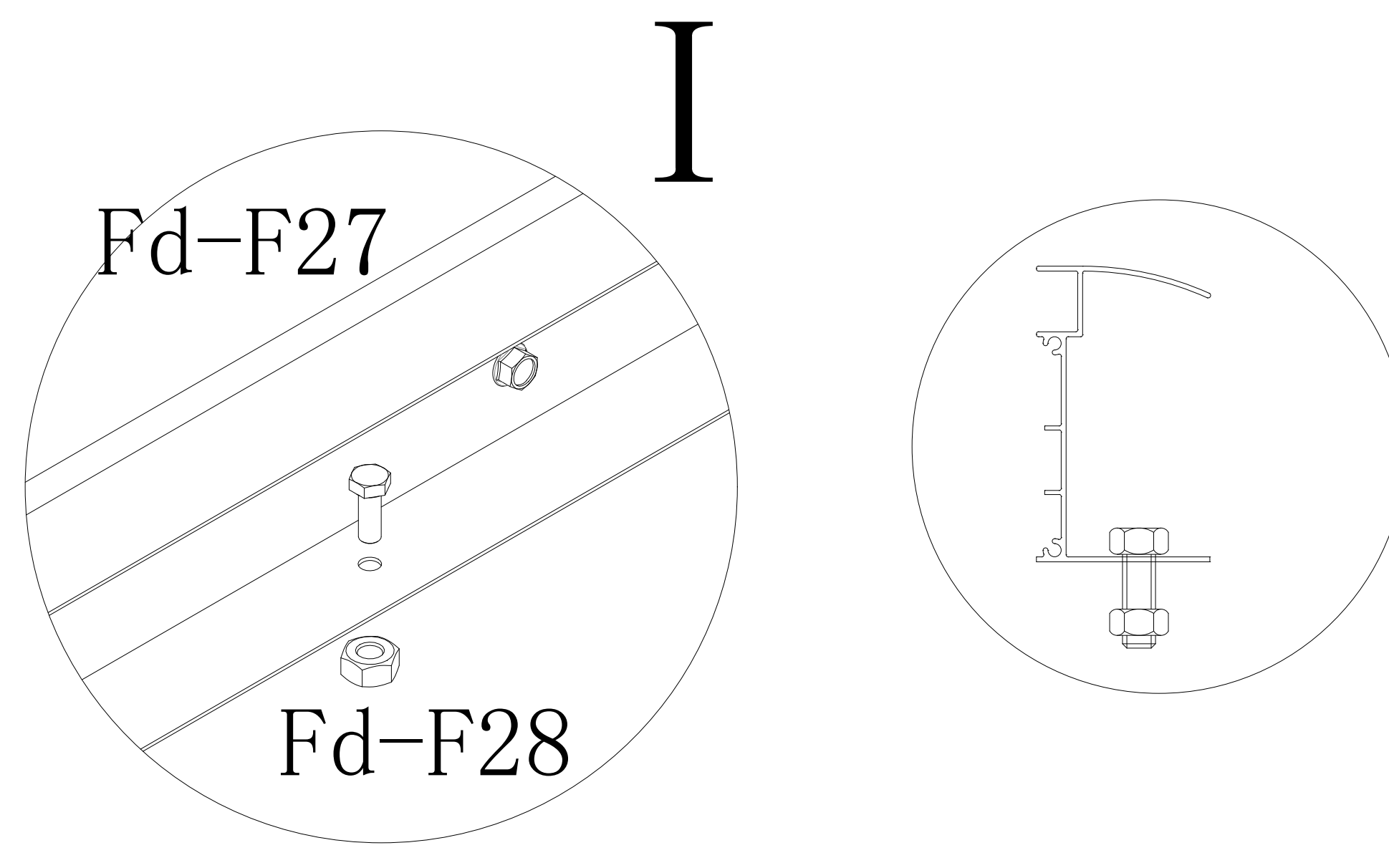
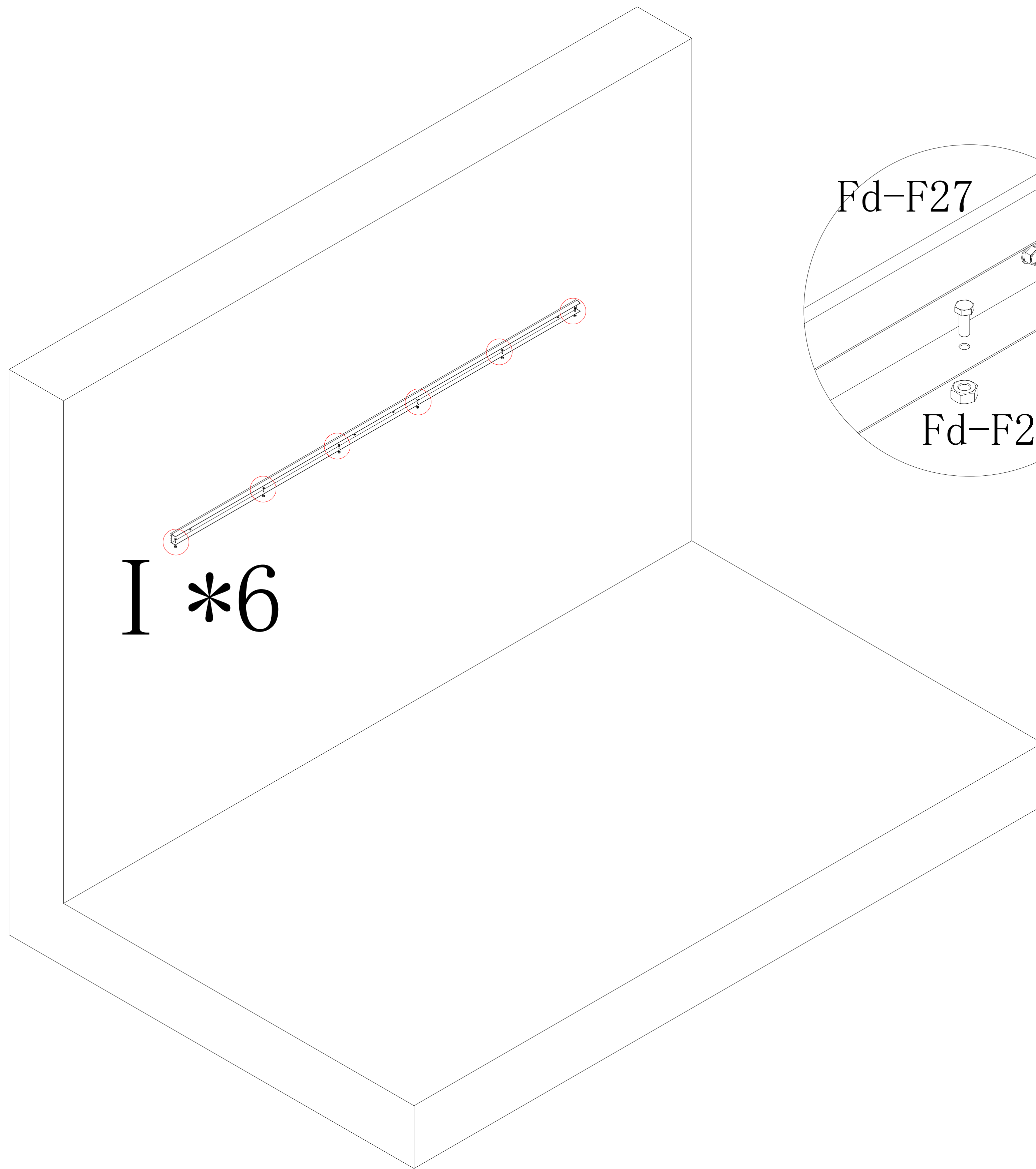


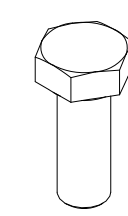
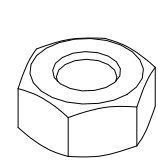


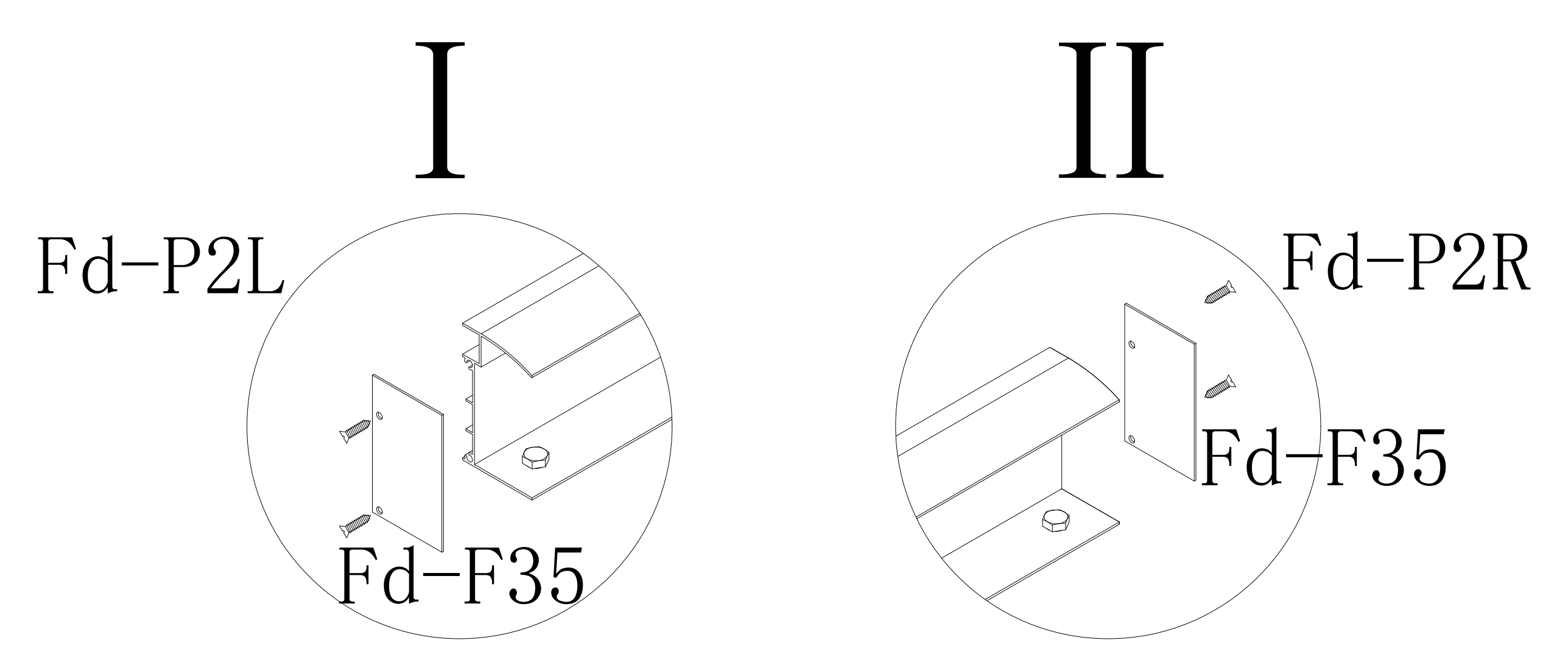
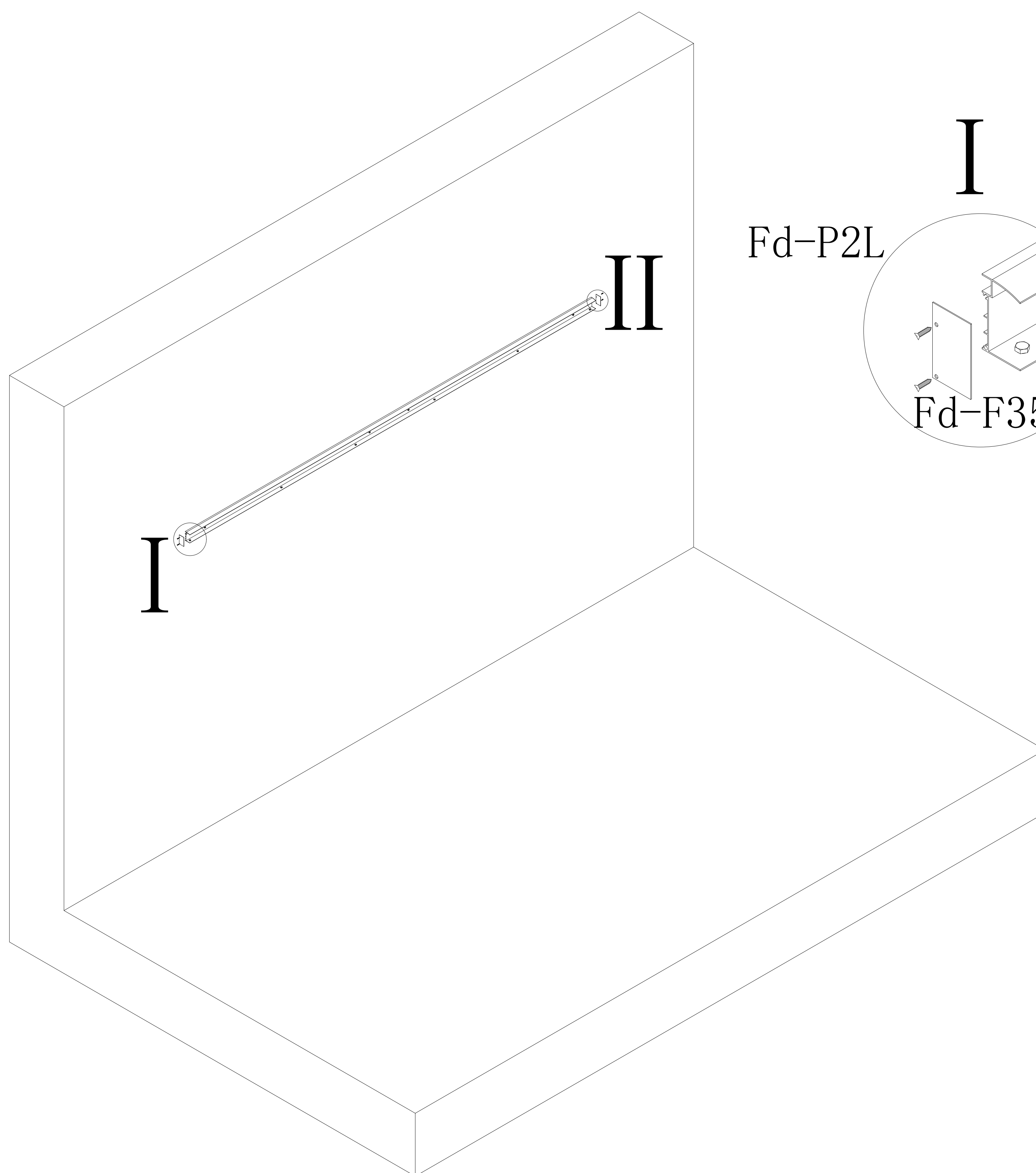
Fd-F30		4
--------	---	---

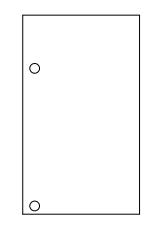
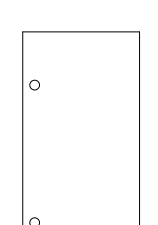
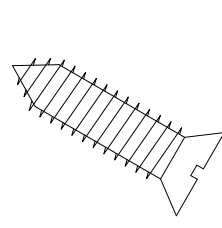


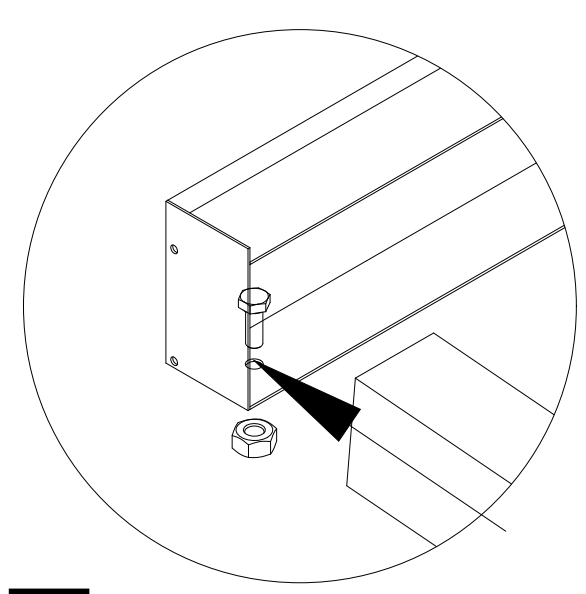
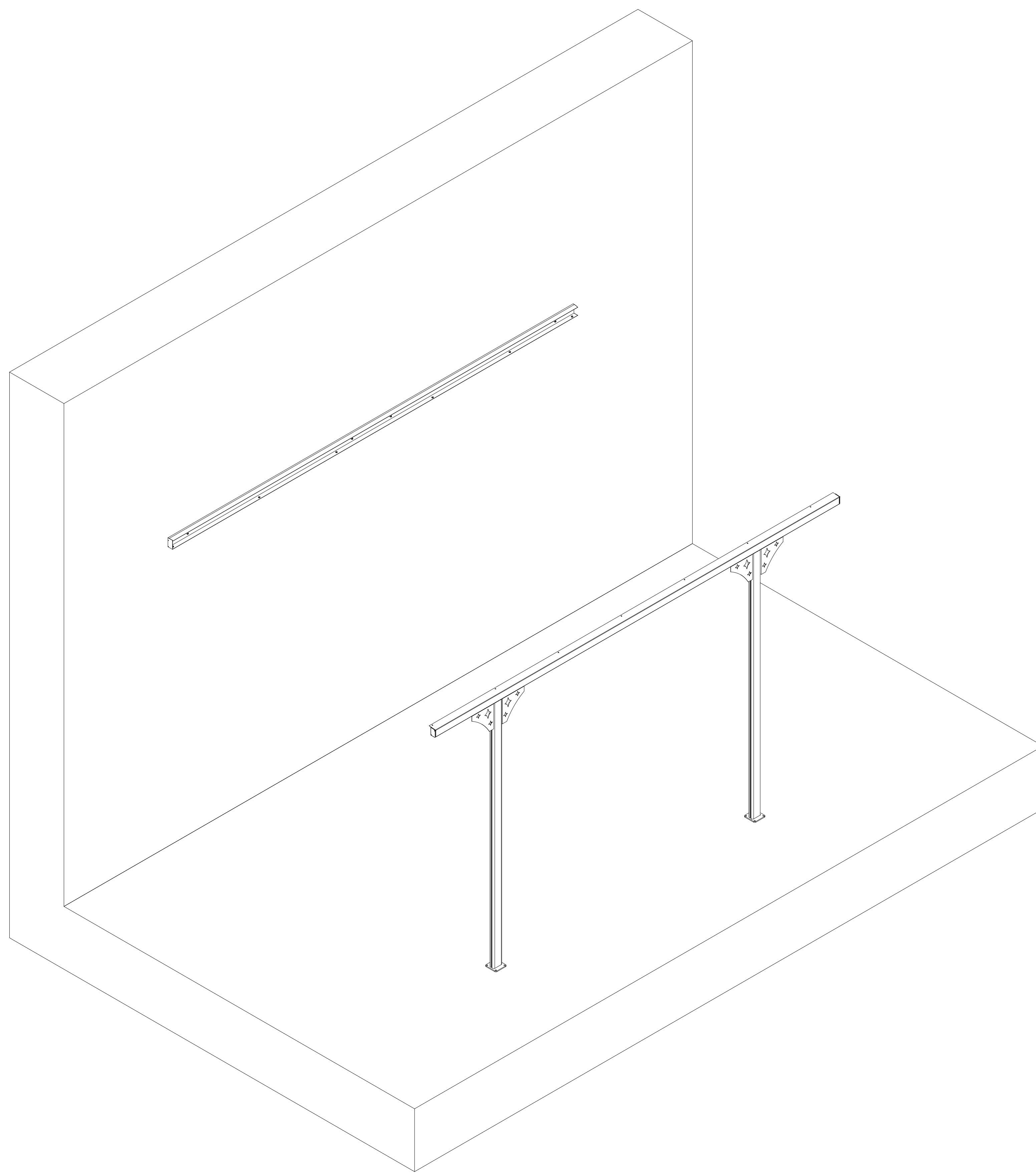
Fd-F32		4
--------	---	---



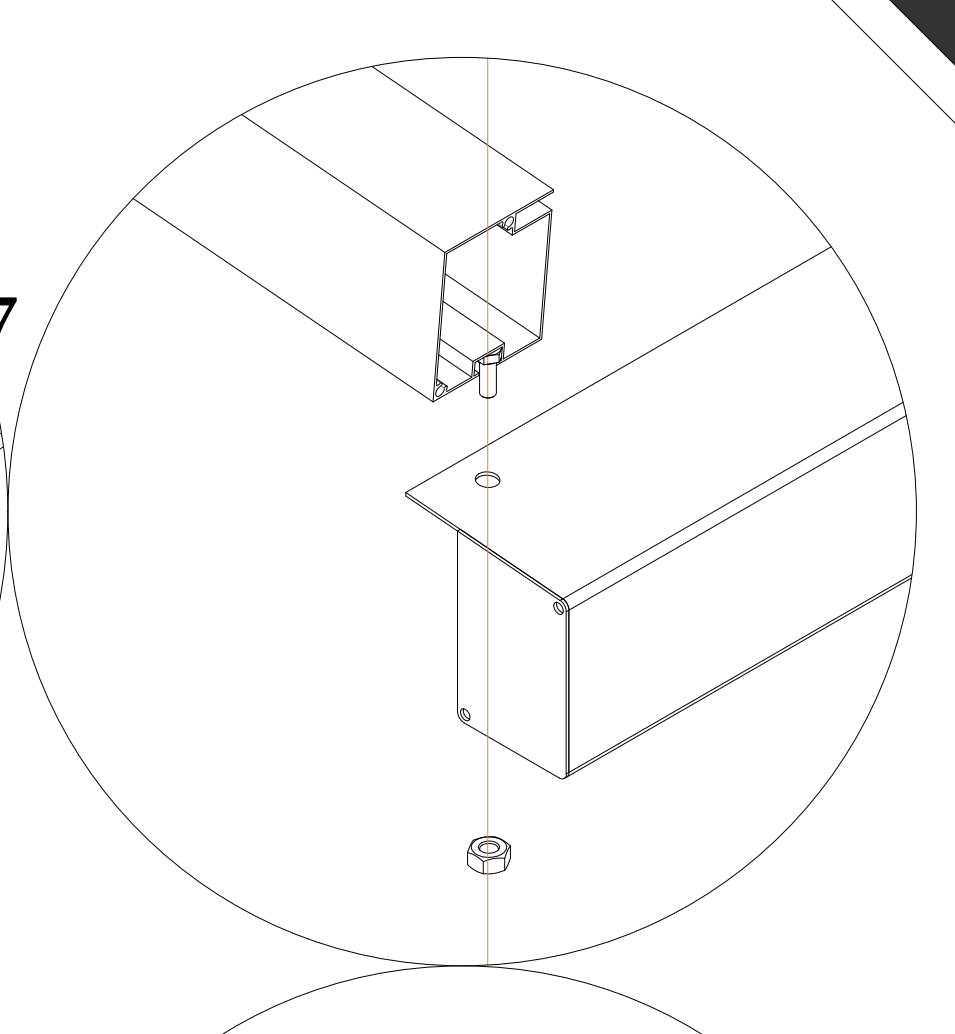
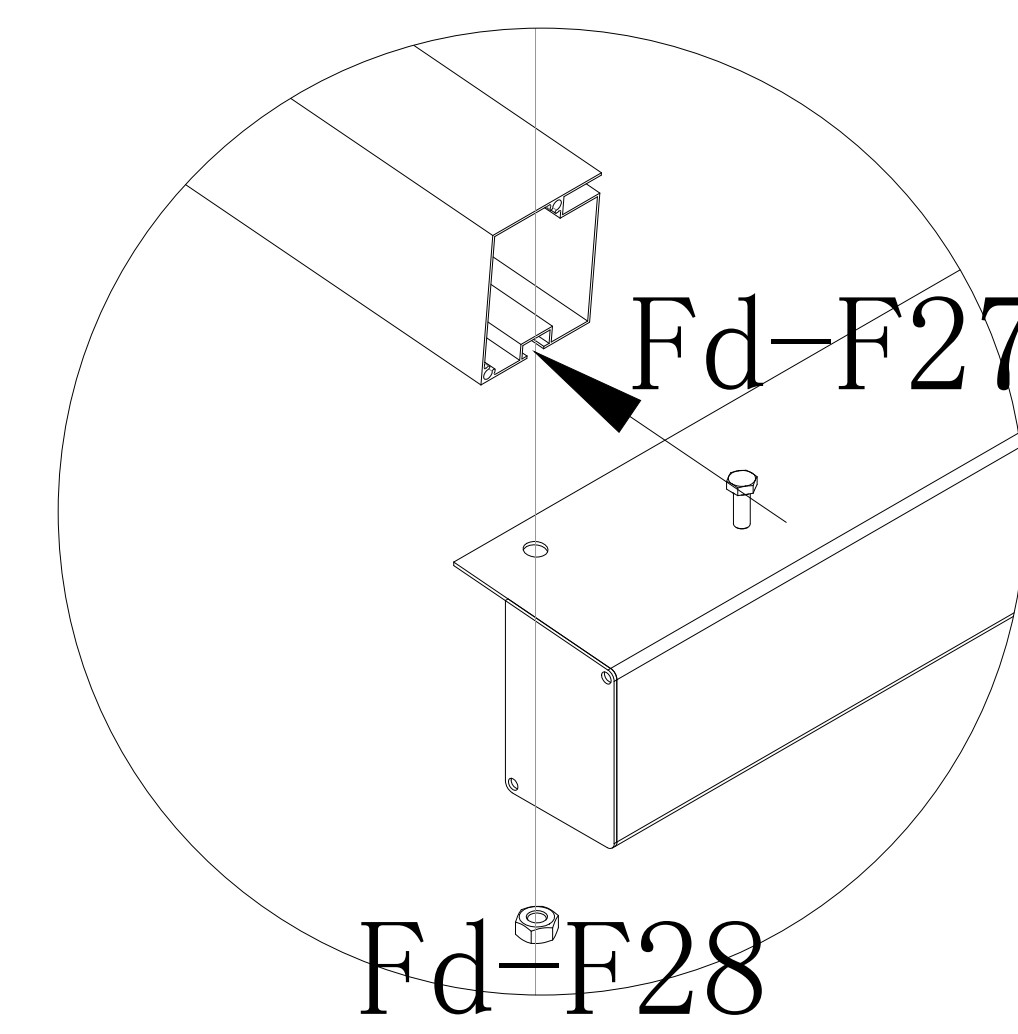
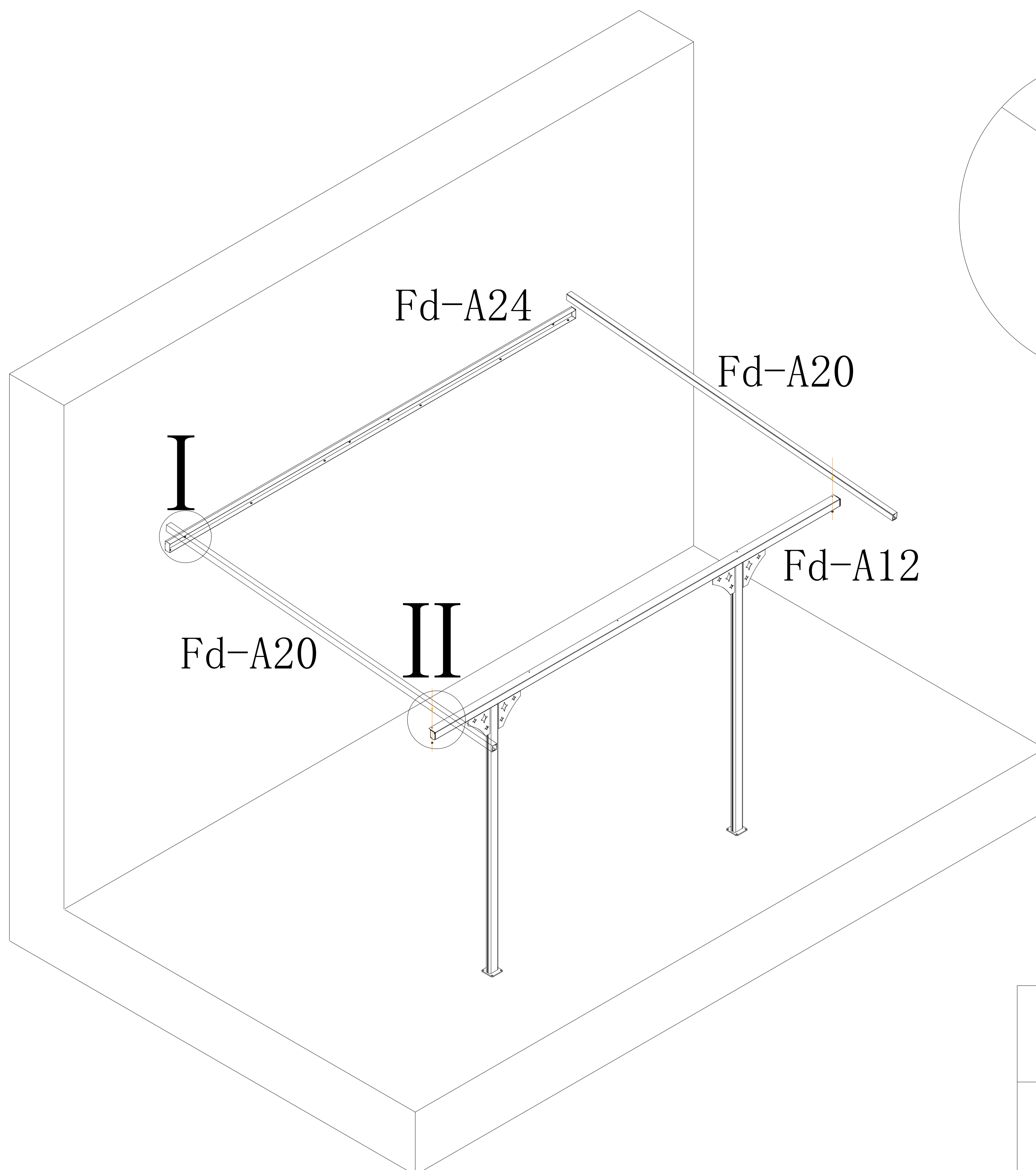
Fd-F27		6
Fd-F28		6



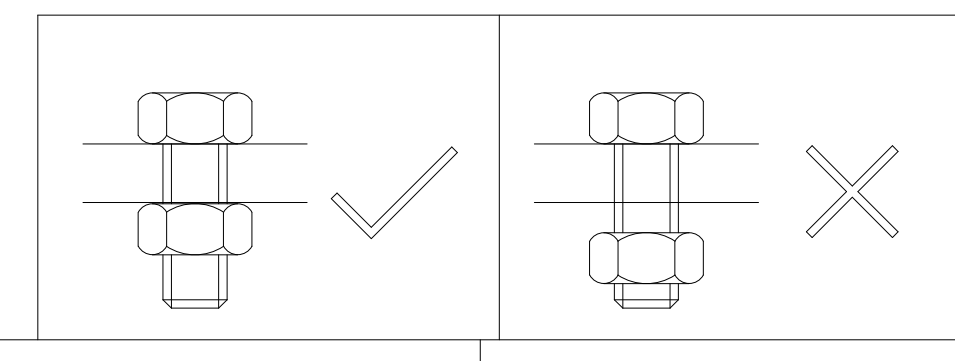
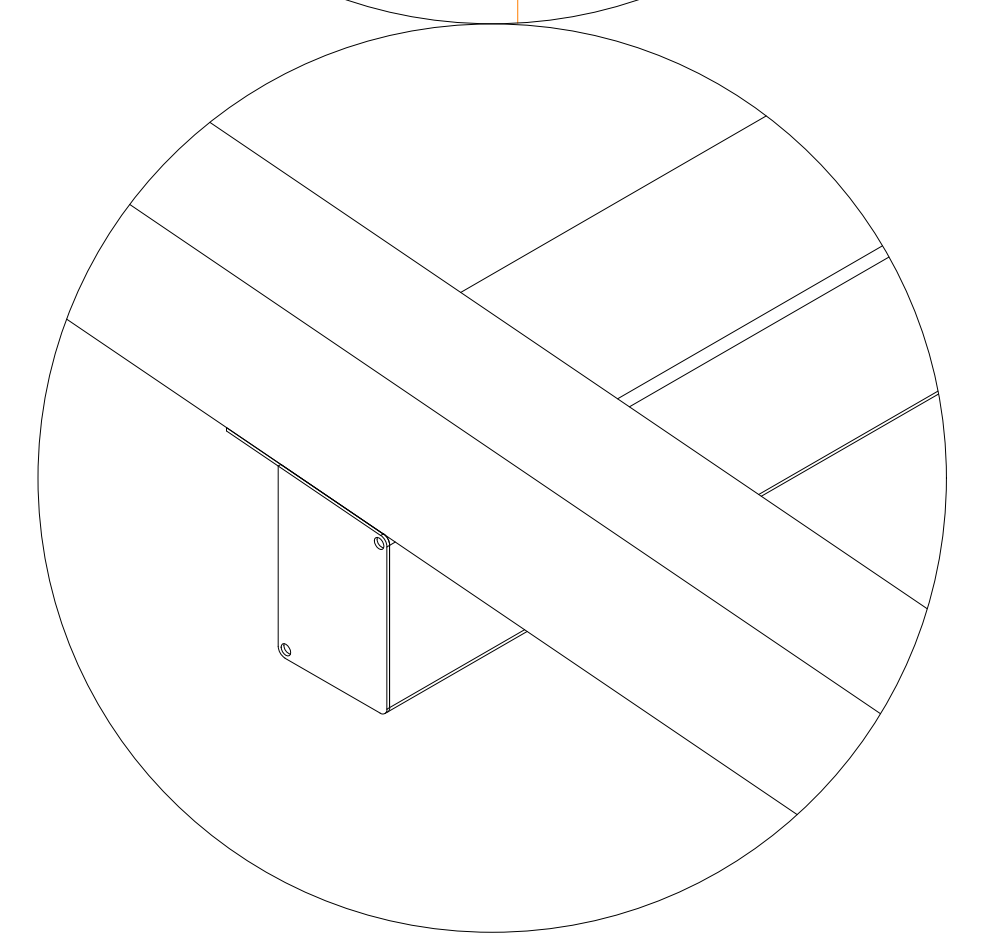
Fd-P2L		1
Fd-P2R		1
Fd-F35		4



I

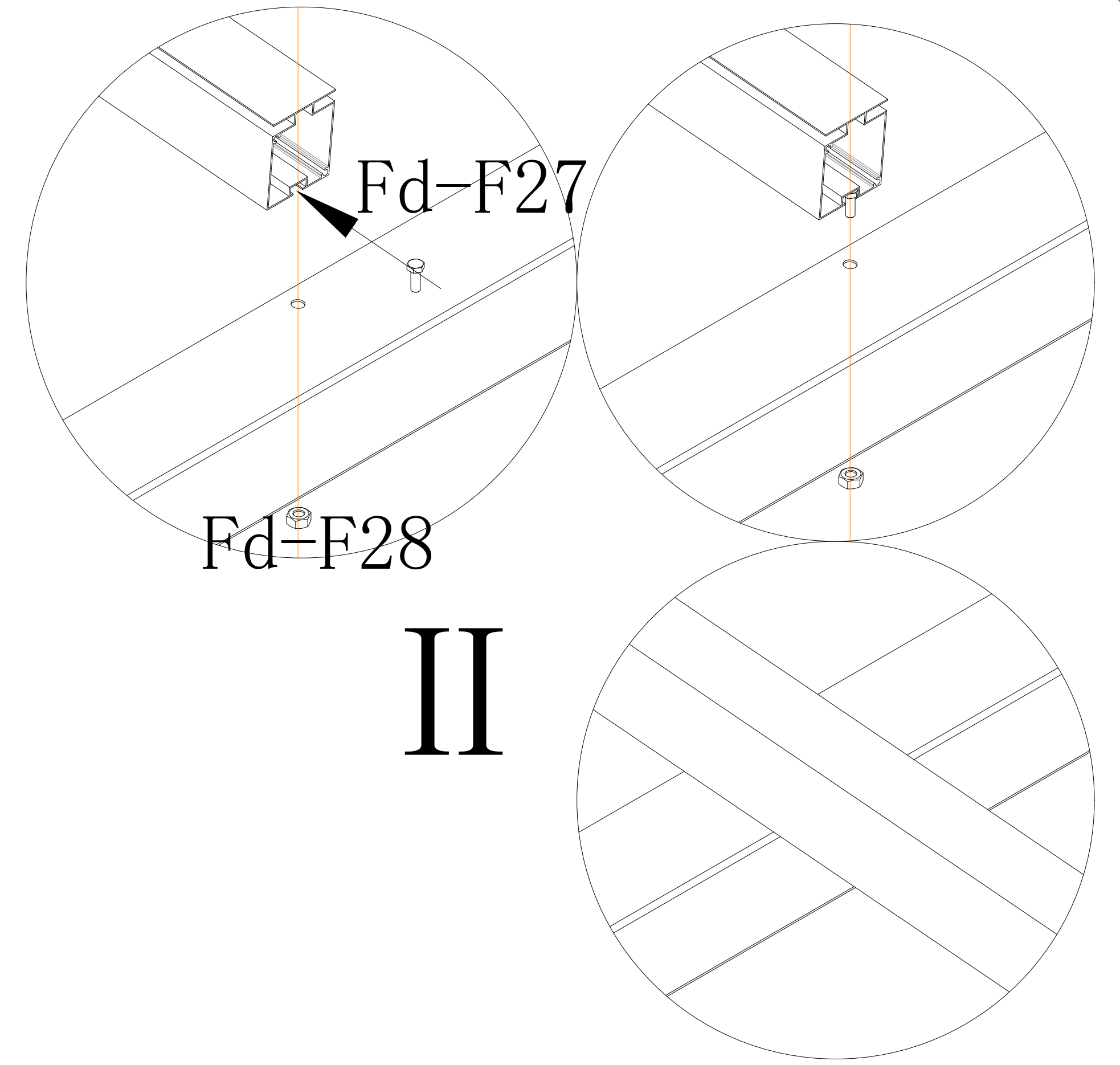
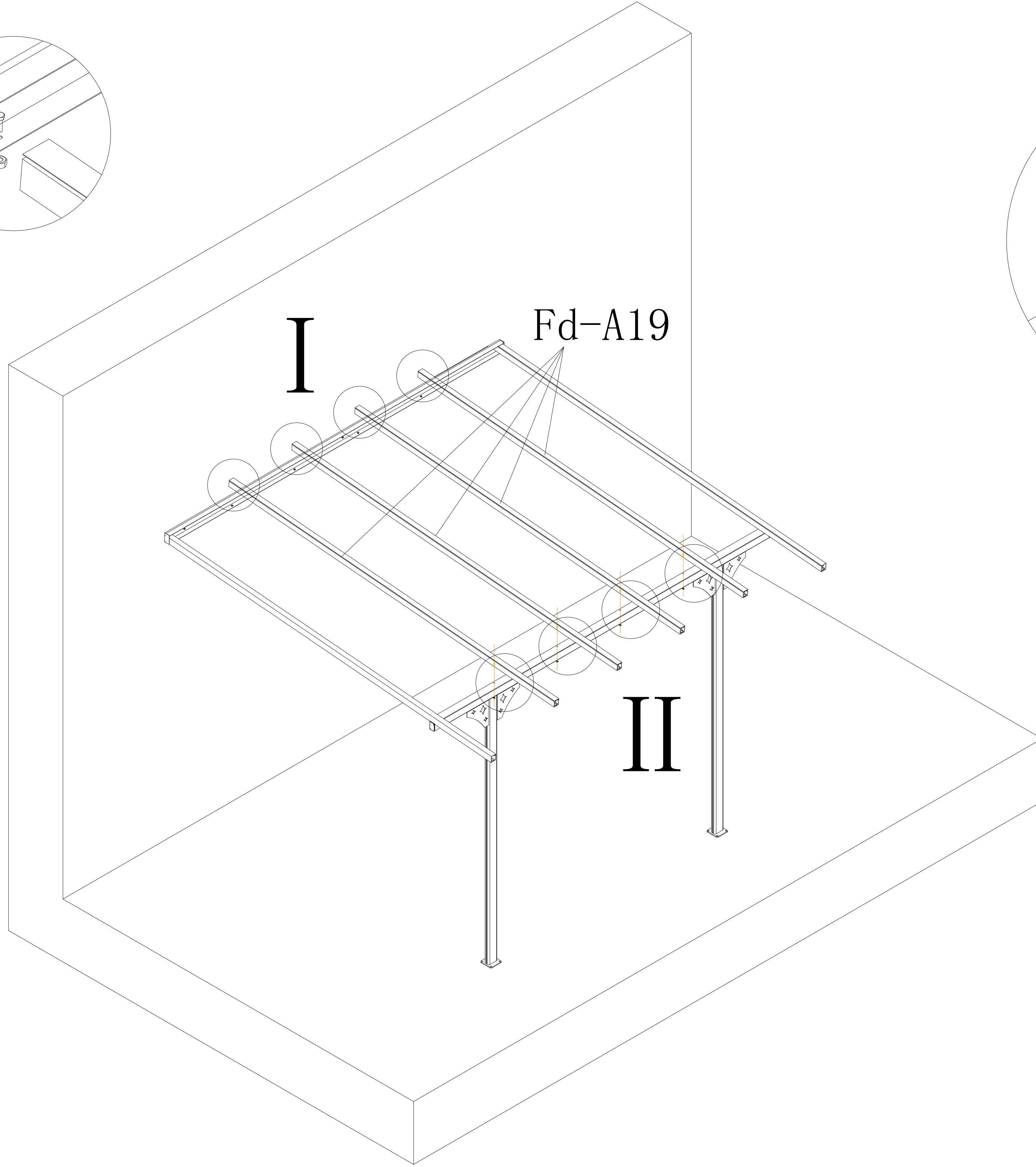
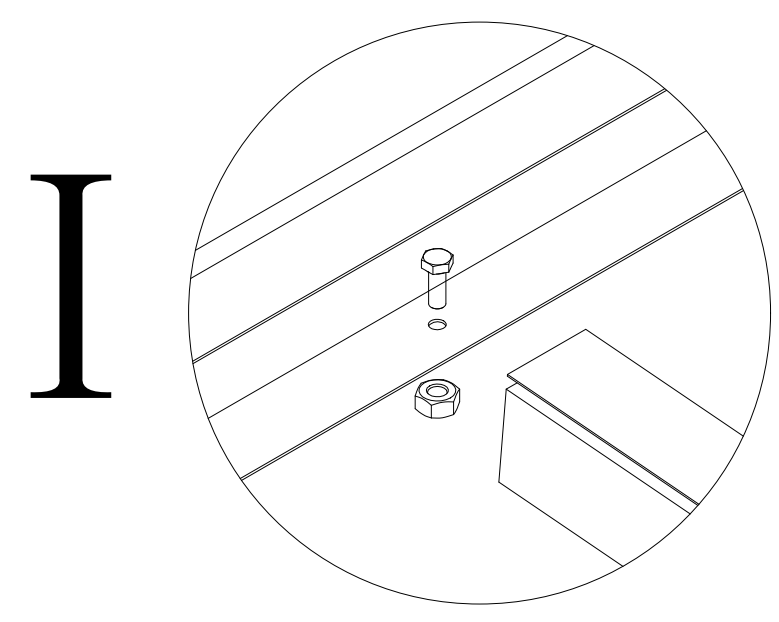


II

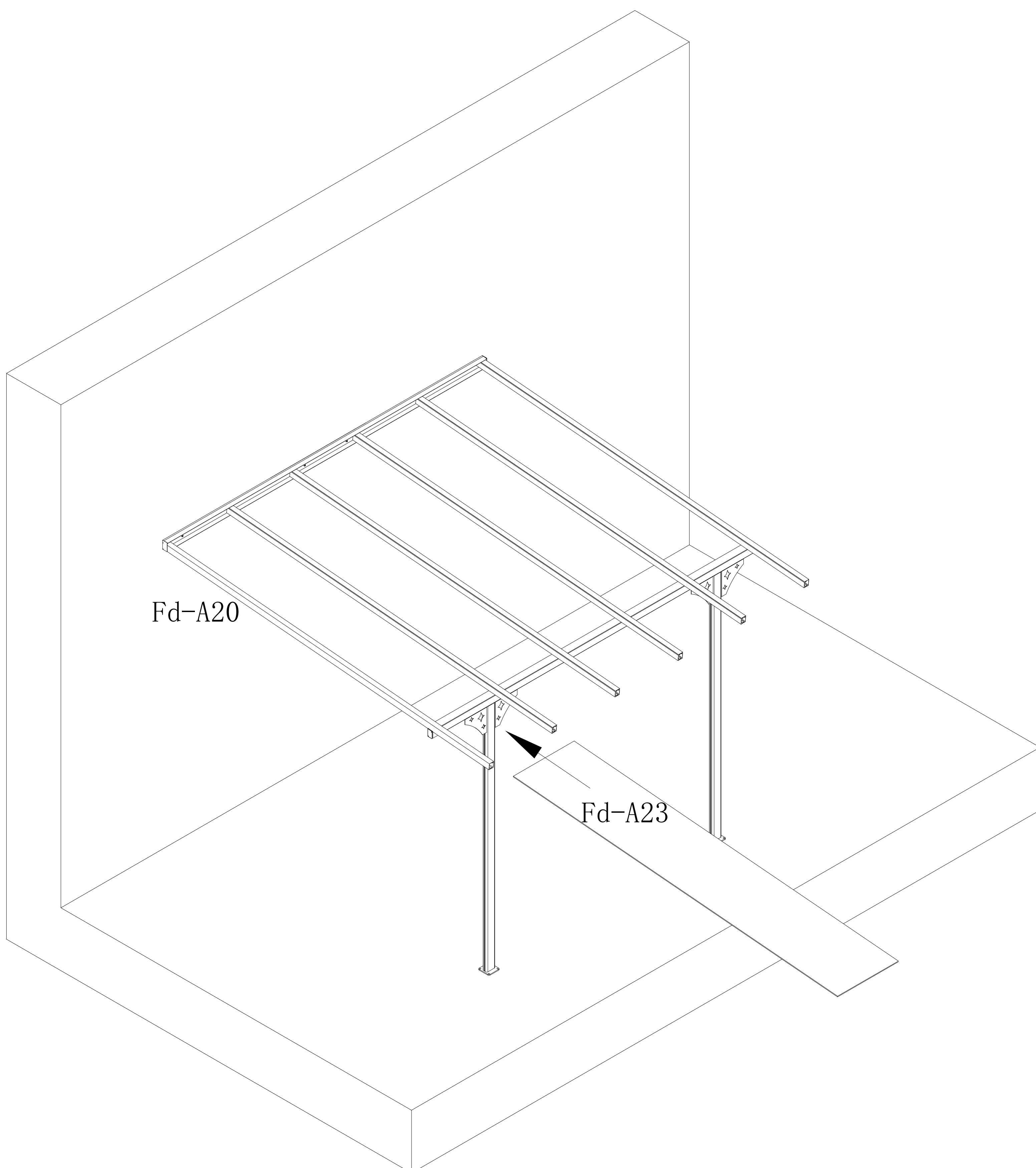


Fd-A20		2
Fd-F27		2
Fd-F28		2

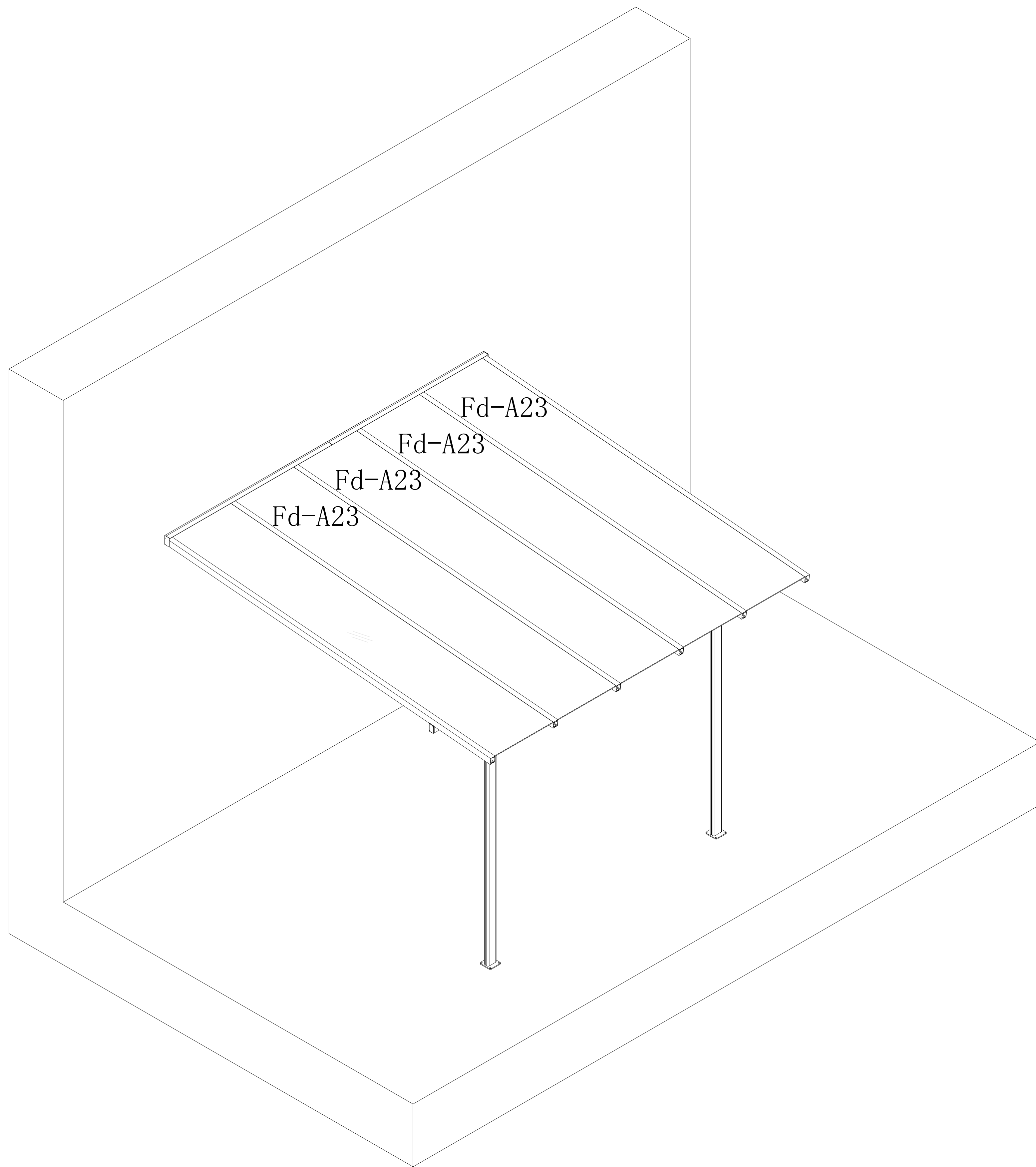




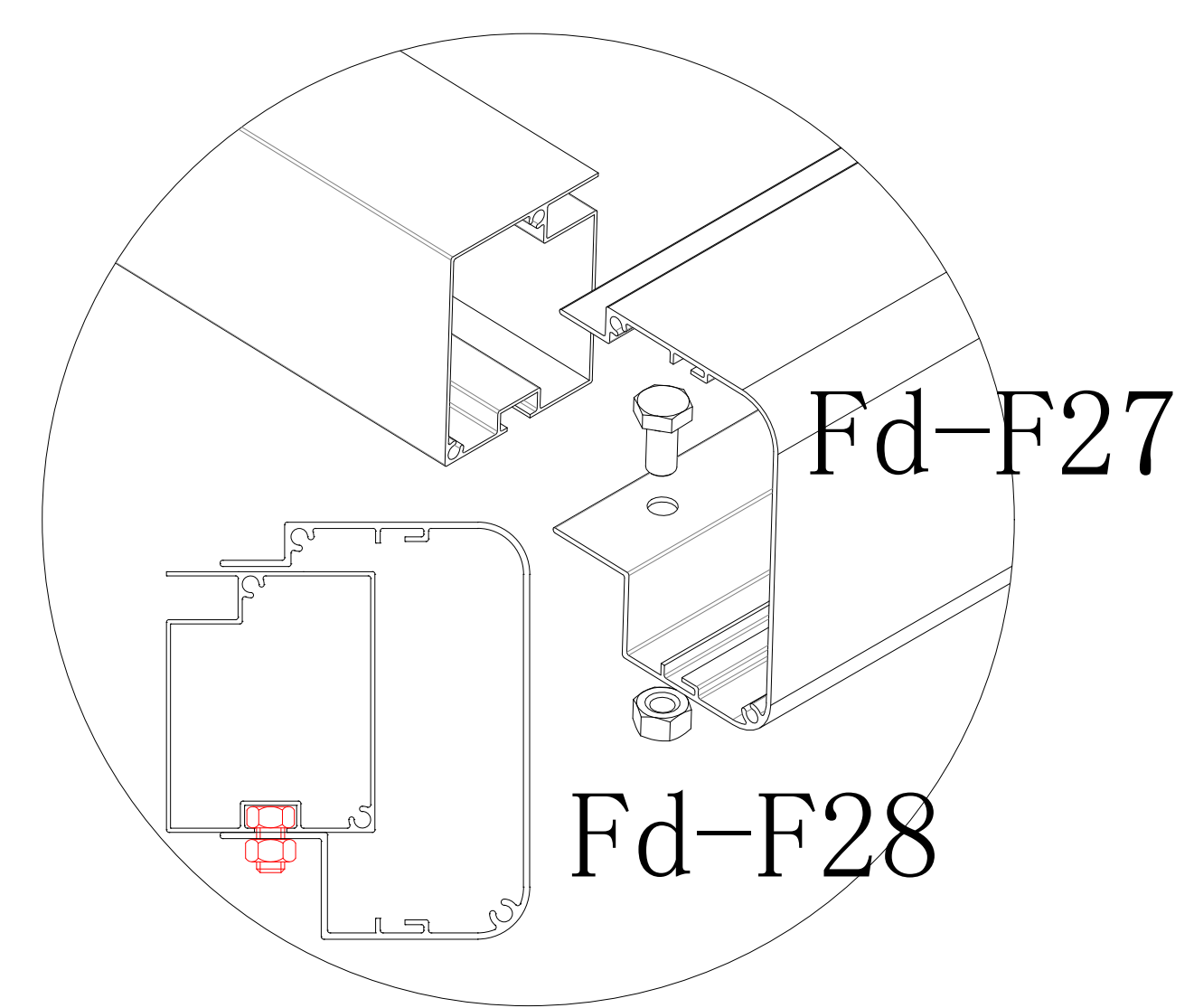
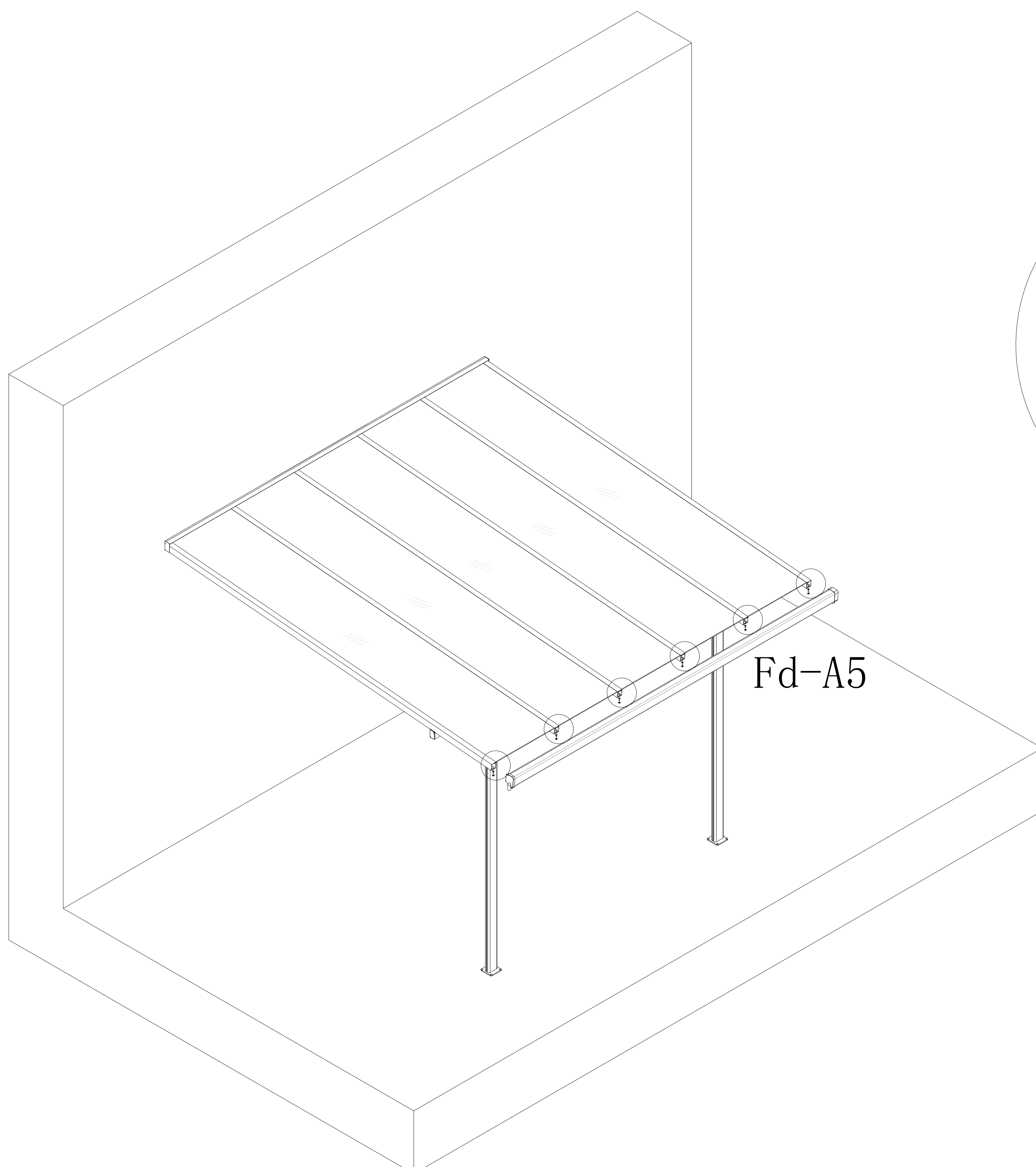
Fd-A19		4
Fd-F27		4
Fd-F28		4



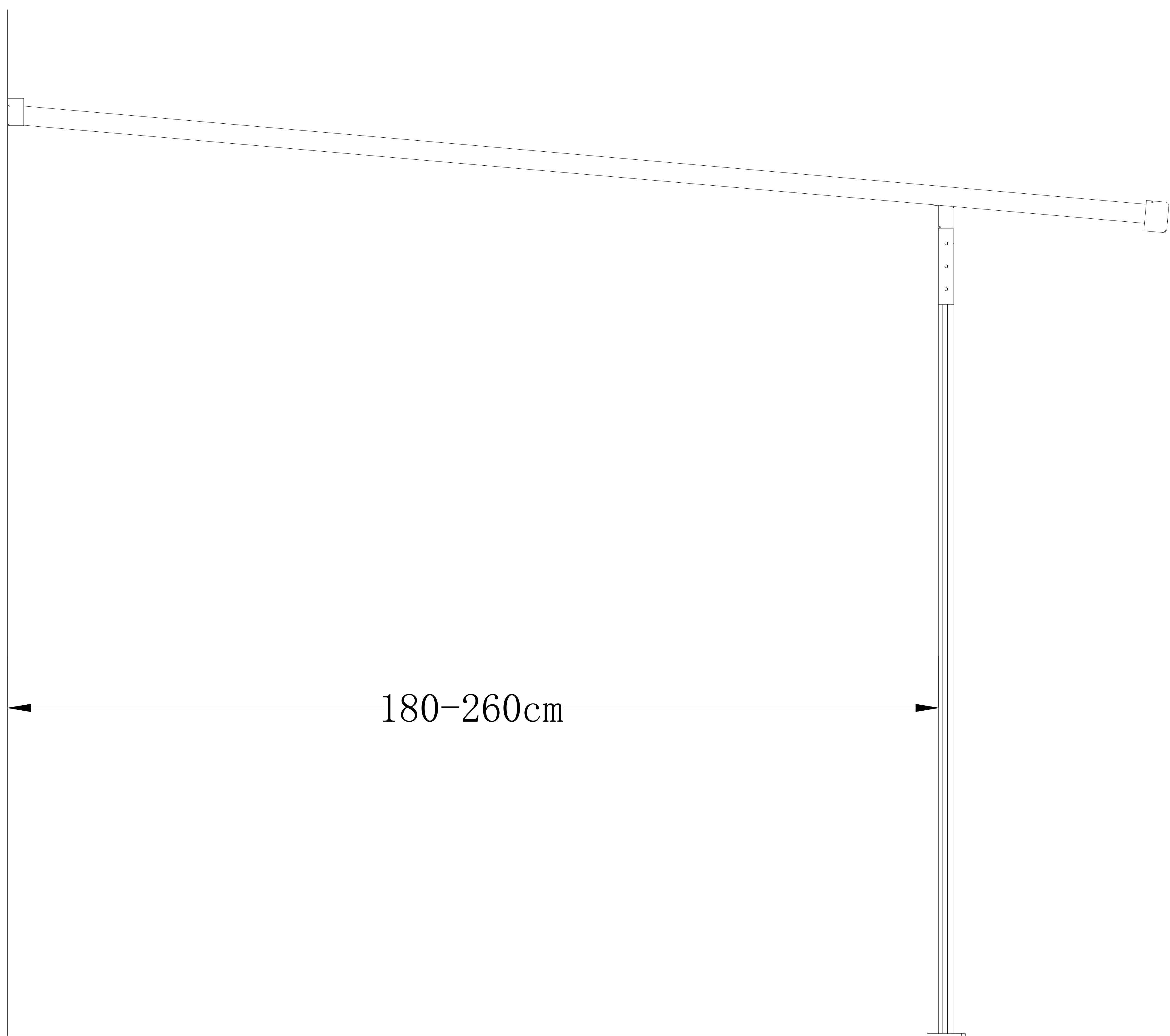
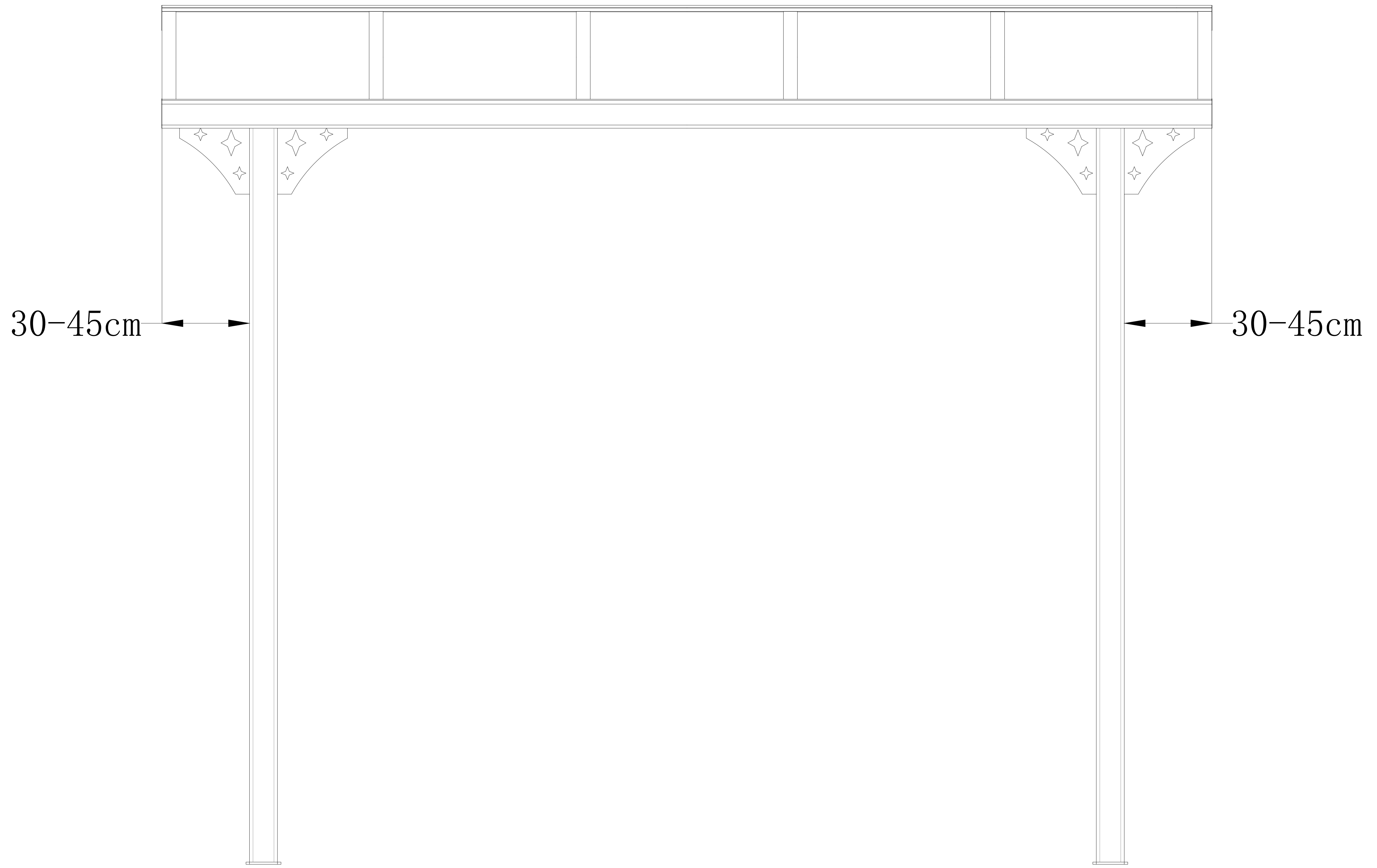
Fd-A23		1
--------	--	---



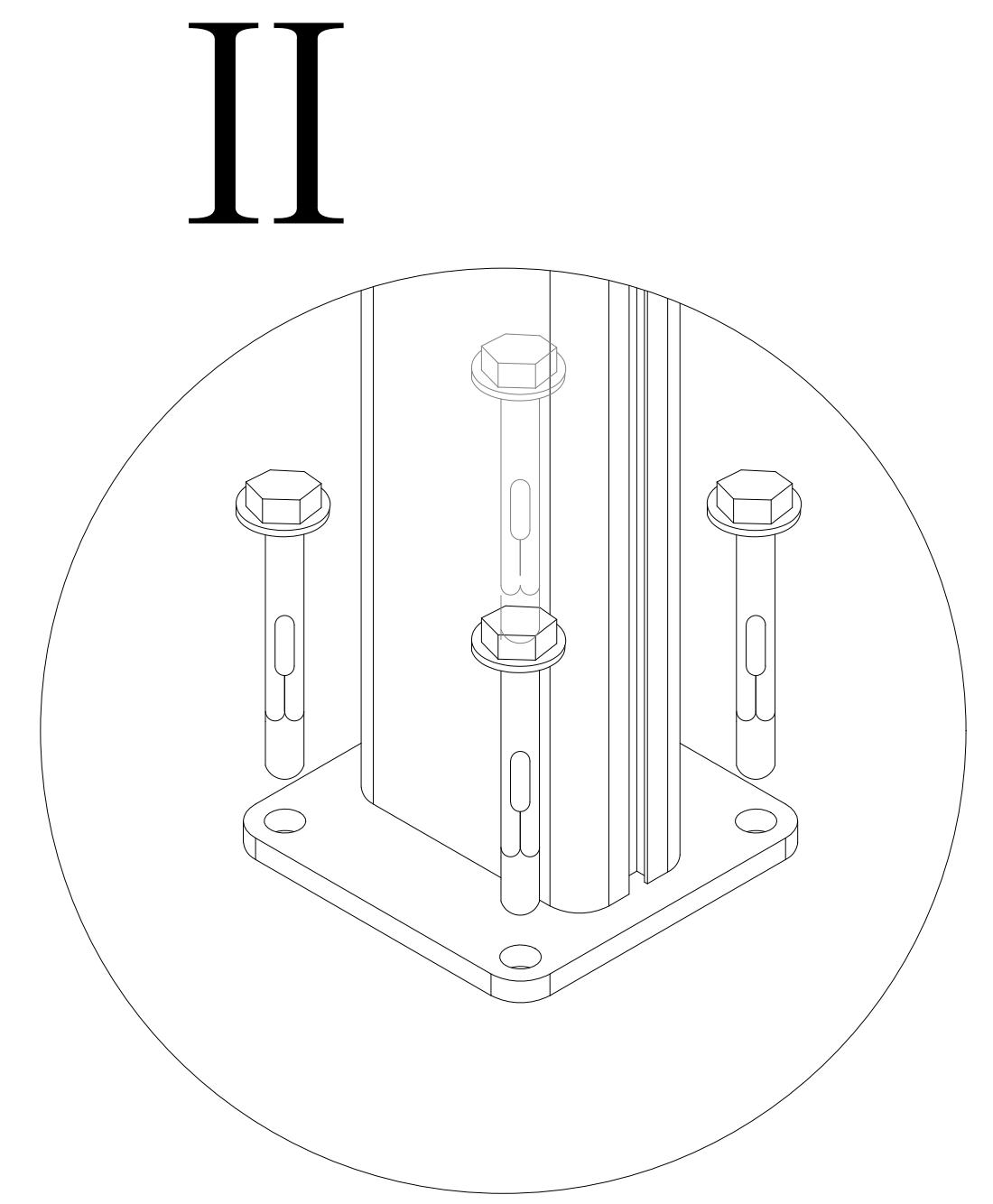
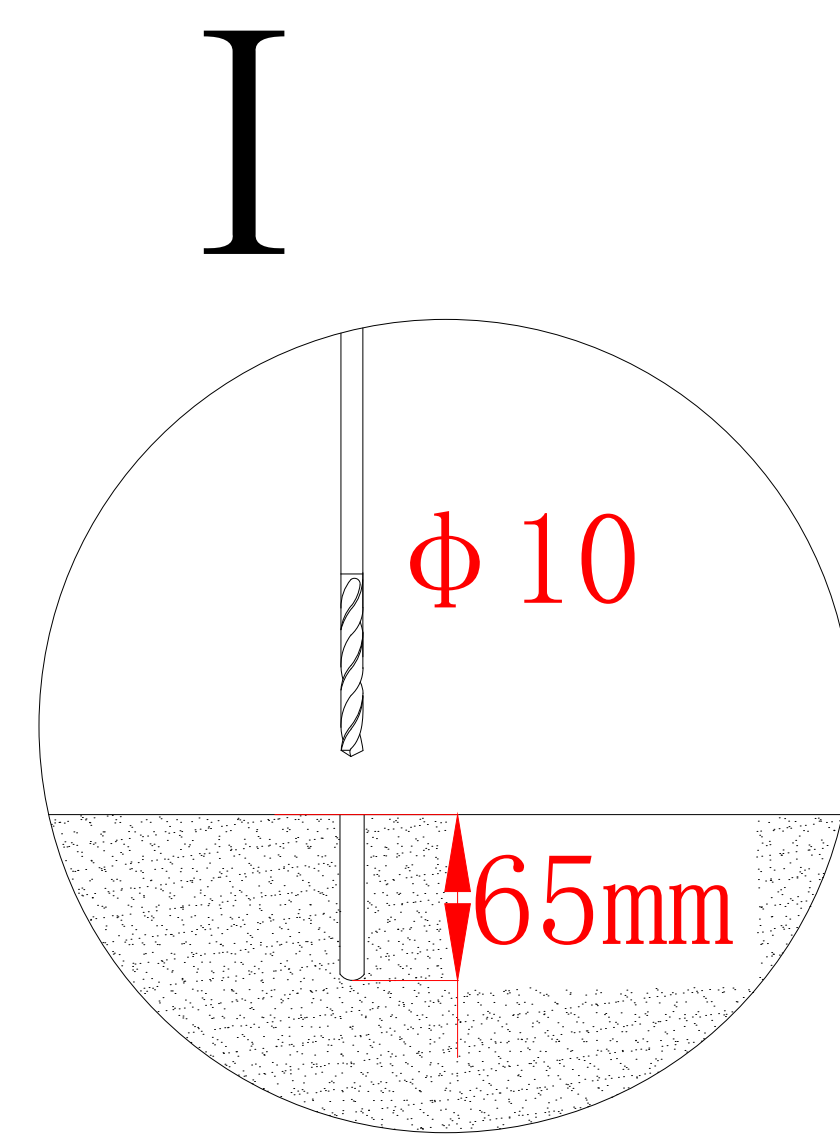
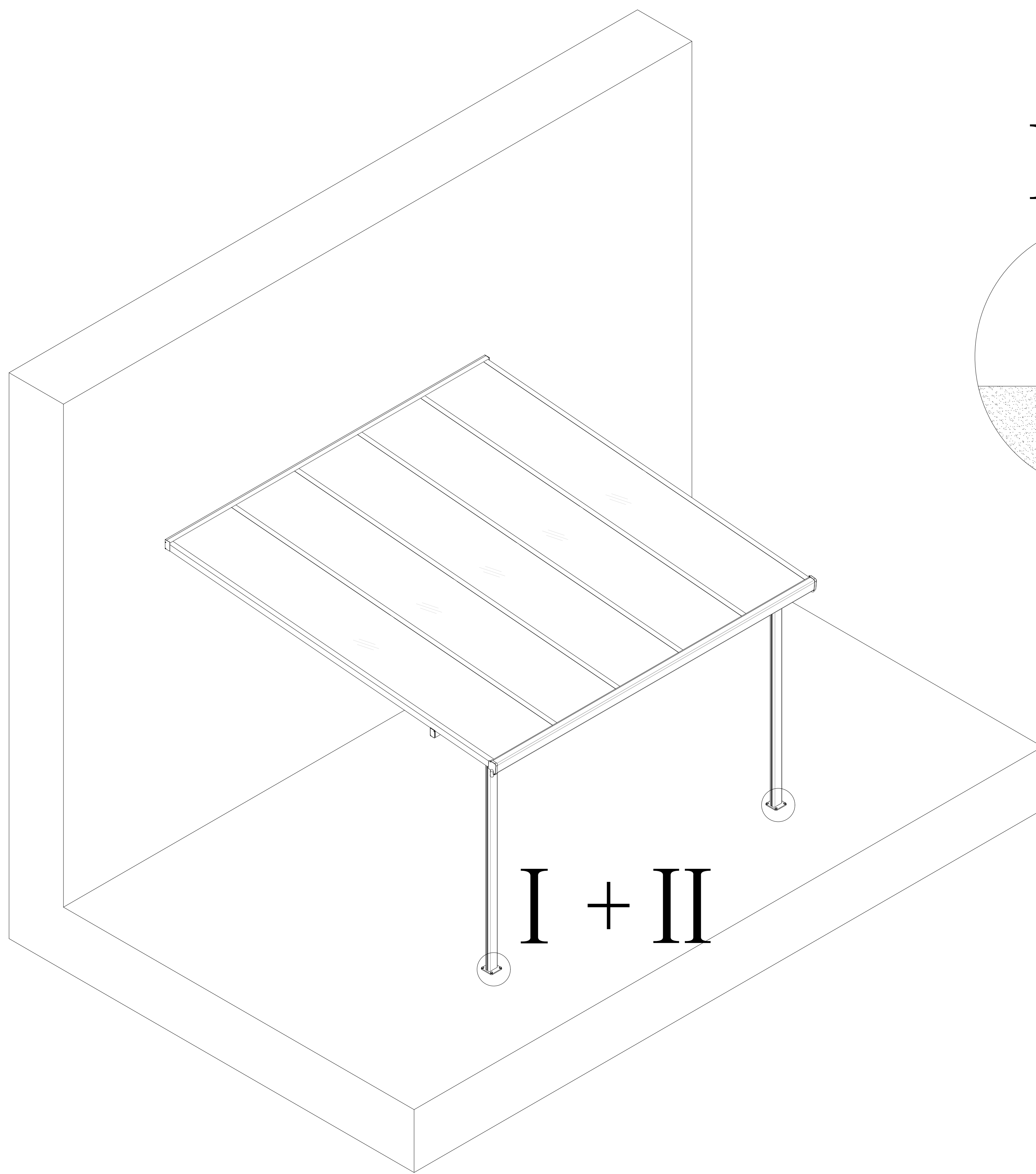
Fd-A23		4
--------	--	---

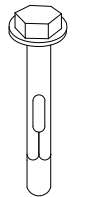


Fd-A5		1
Fd-F27		6
Fd-F28		6







Fd-F31		8
--------	---	---

