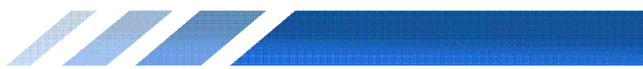
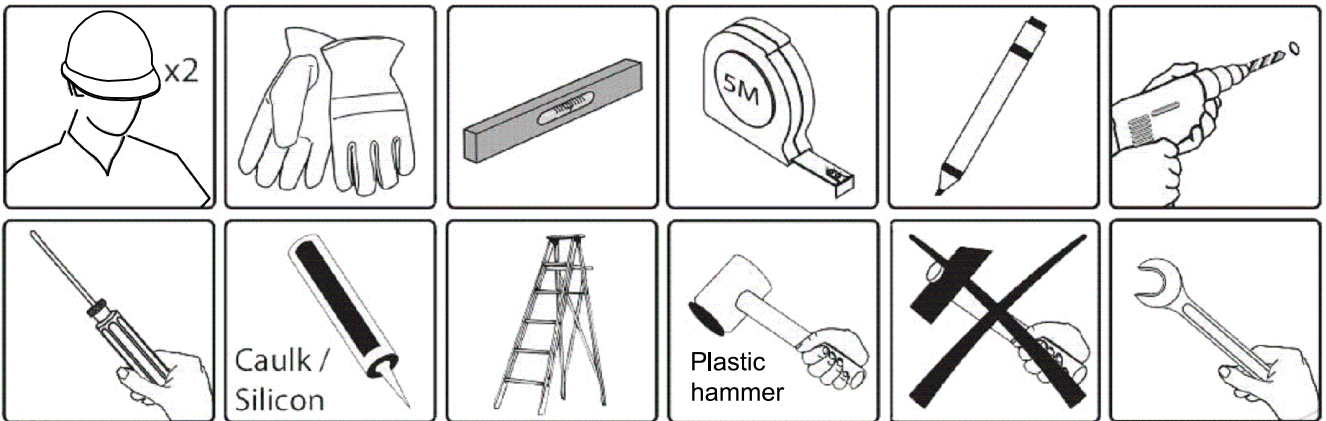
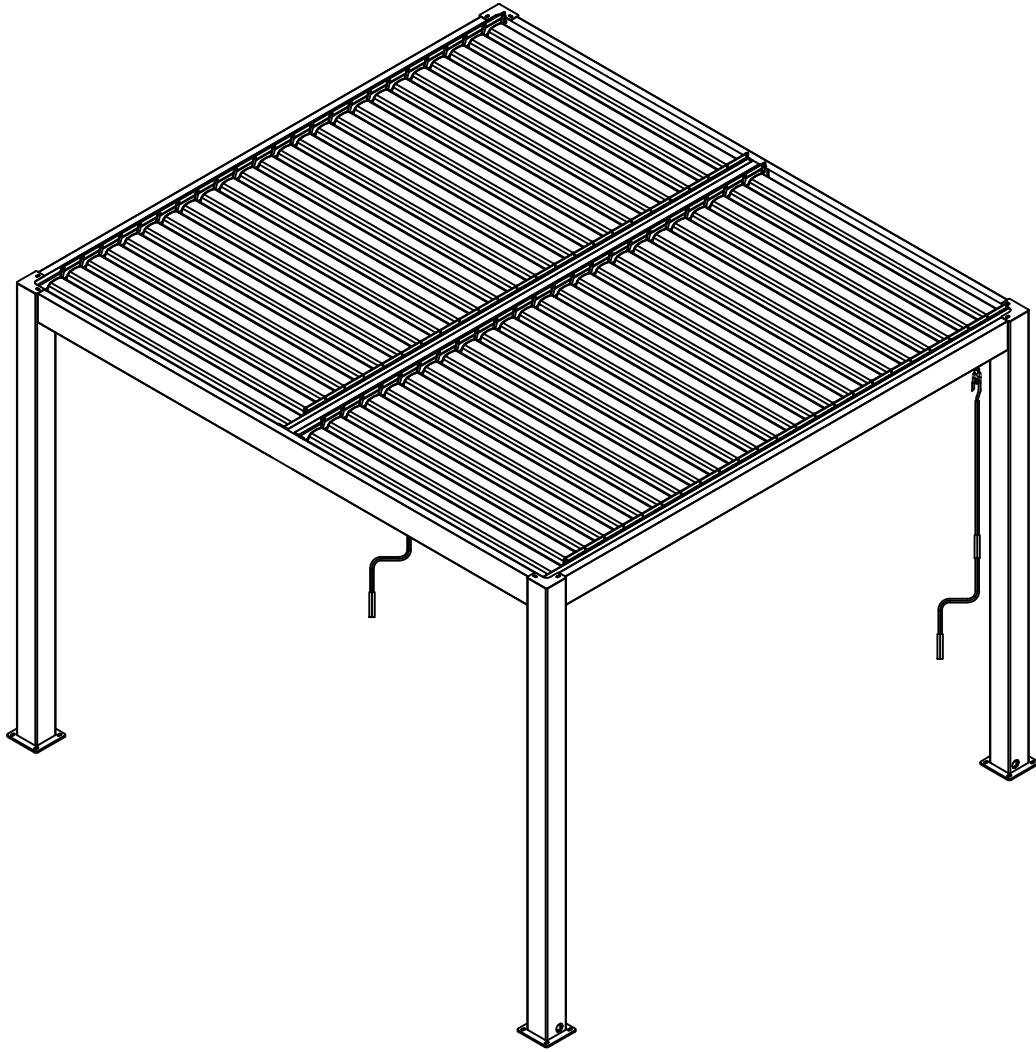


# BIOCLIMATIC PERGOLA FREE STANDING 4 POSTS

**4x4m**



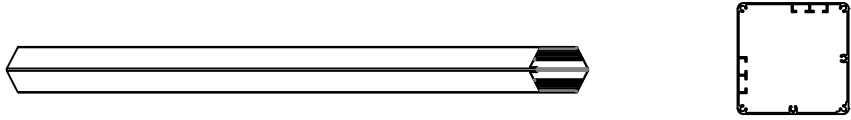
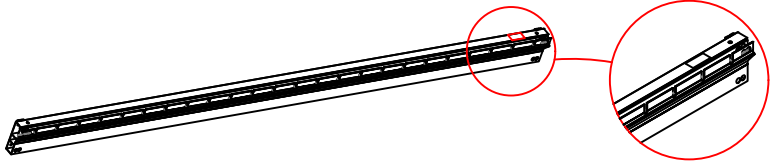
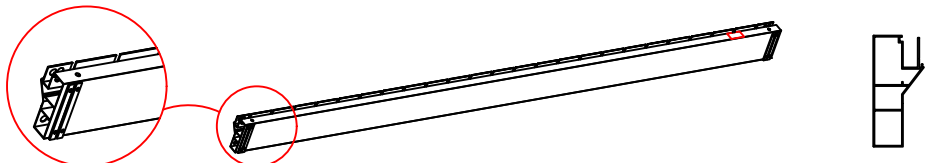
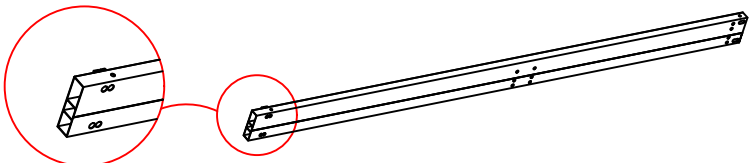

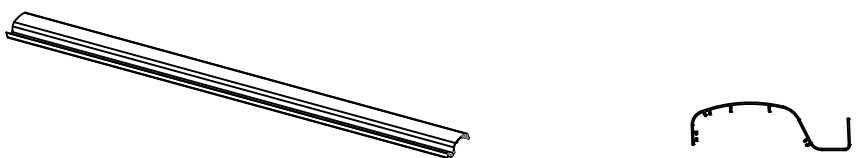
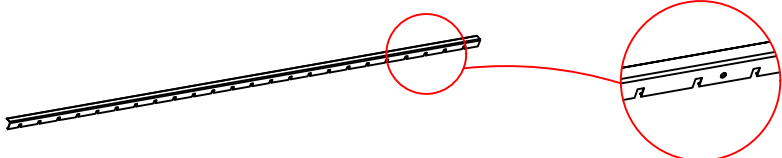
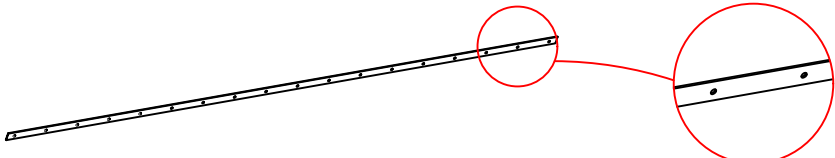
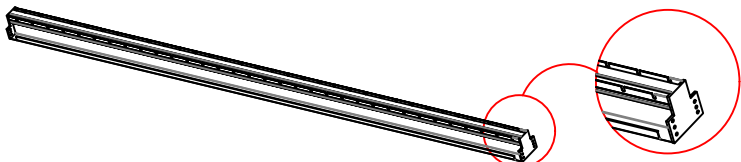


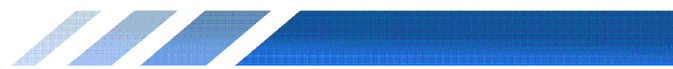


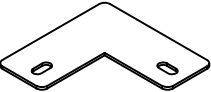
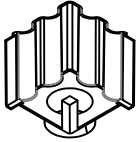
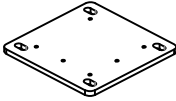
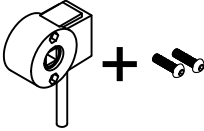

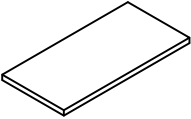
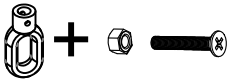

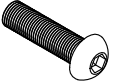
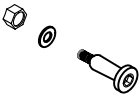

	Item	Qty	Item	Qty	Item	Qty
Carton 1/4	1B-01	4	1B-11	4	1B-12	4
	1B-13	4	1B-14	2	1B-15	2
	1B-18	1	1B-19	8	1B-20	132
	1B-21	16	1B-22	24	1B-23	42
	1B-24	1	1B-25	12	1B-16	2
	1B-17	2	1B-48	66	1B-49	64
	1B-50	2	1B-51	264		
Carton 2/4	1B-02	1	1B-03	1	1B-04	2
	1B-05	6	1B-08	4	1B-09	4
	1B-28	1				
Carton 3/4	1B-06	33				
Carton 4/4	1B-06	33				

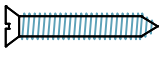


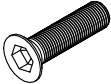
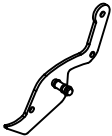





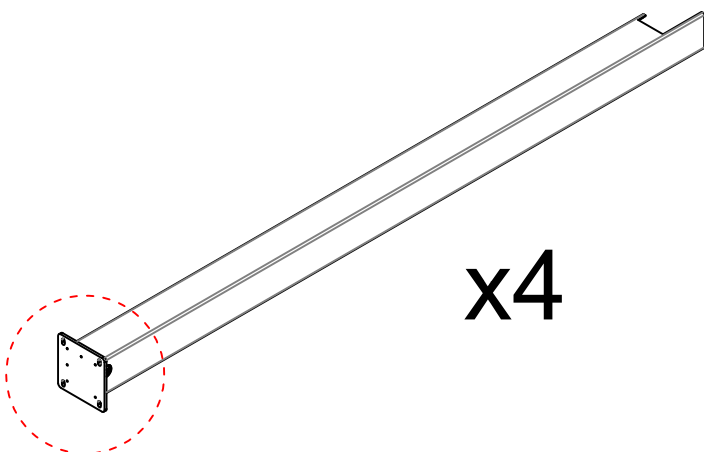
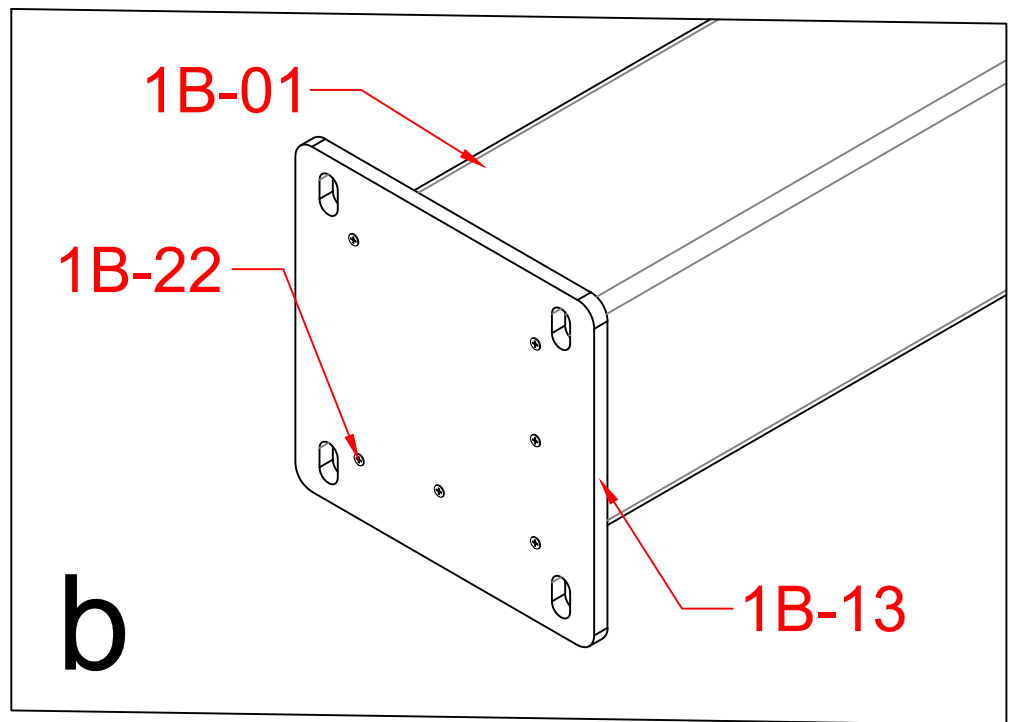
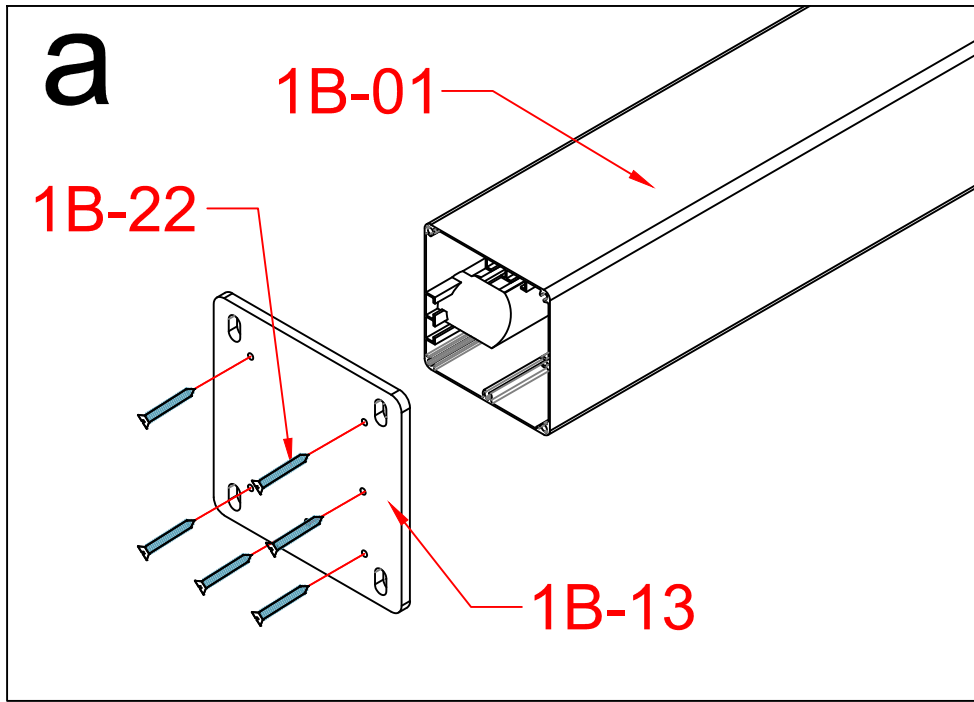


Item	Drawings	Qty
1B-01		4
1B-02		1
1B-03		1
1B-04		2
1B-05		6
1B-06		66
1B-08		4
1B-09		4
1B-28		1

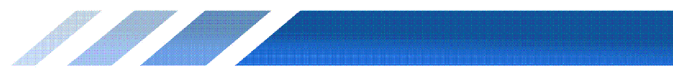


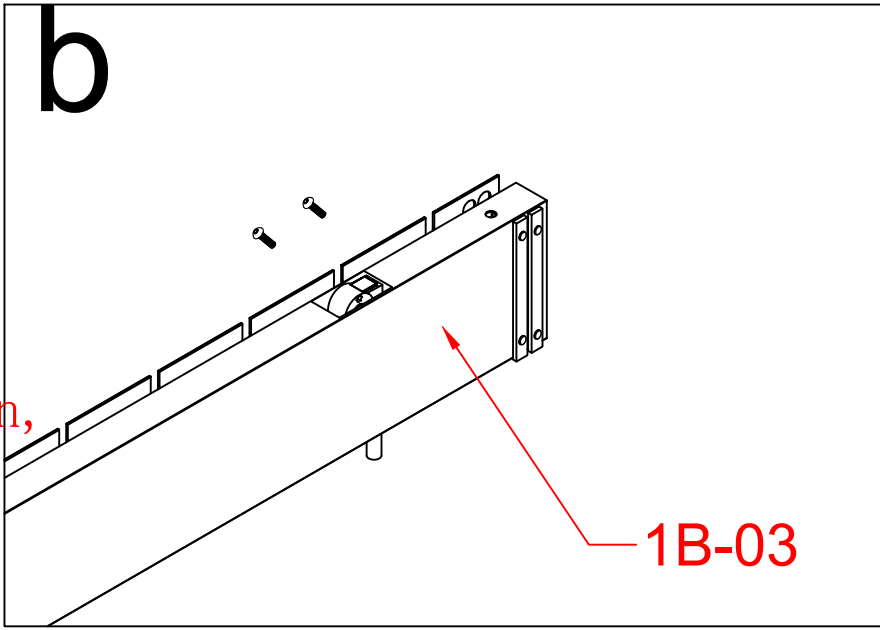
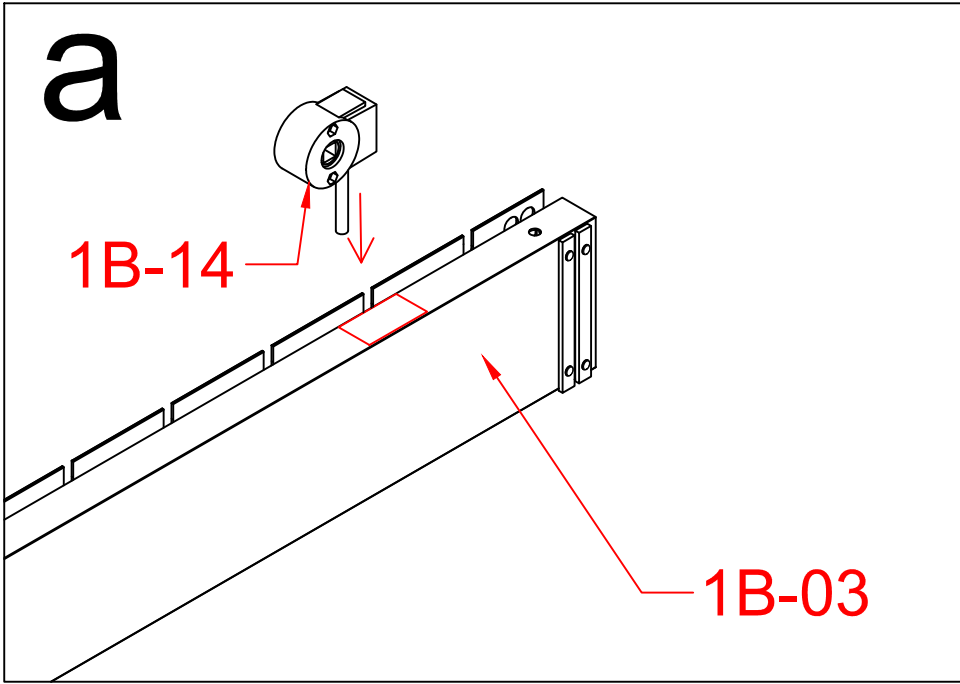
Item	Drawings	Qty
1B-11		4
1B-12		4
1B-13		4
1B-14		2
1B-15		2
1B-16		2
1B-17		2
1B-18		1
1B-19	 M8*20	8
1B-20		132+2
1B-21		16

Item	Drawings	Qty
1B-22		24+2
1B-23		42+2
1B-24		1
1B-25	 M8*25	12
1B-48		66+2
1B-49		64+2
1B-50		2
1B-51	 M3.5*25	264

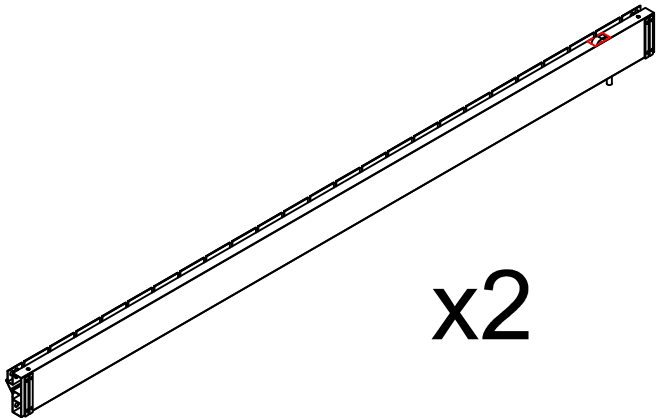


1B-01		4
1B-13		4
1B-22		24



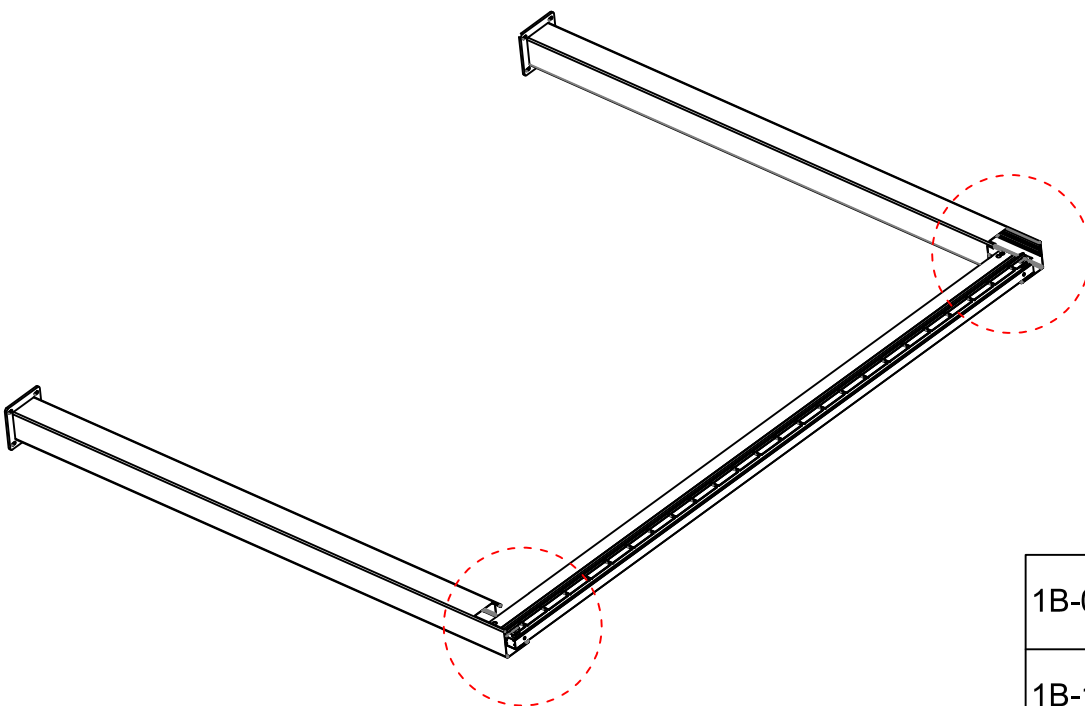
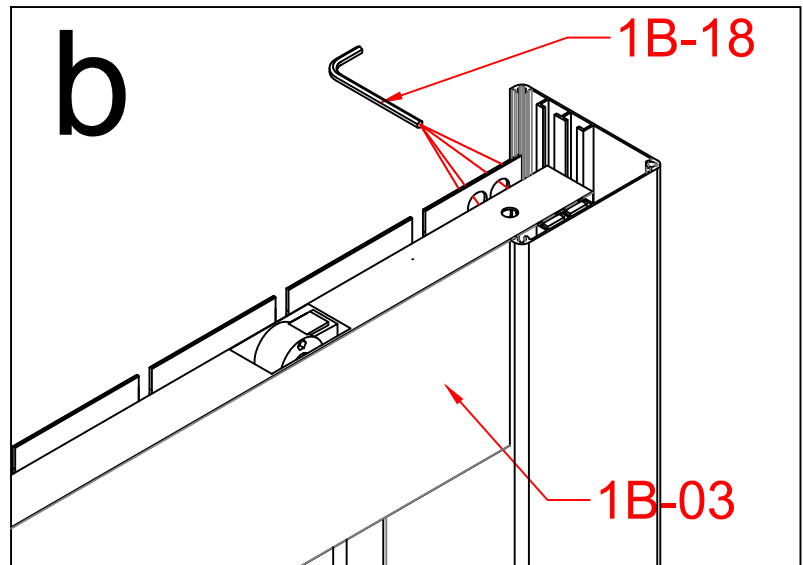
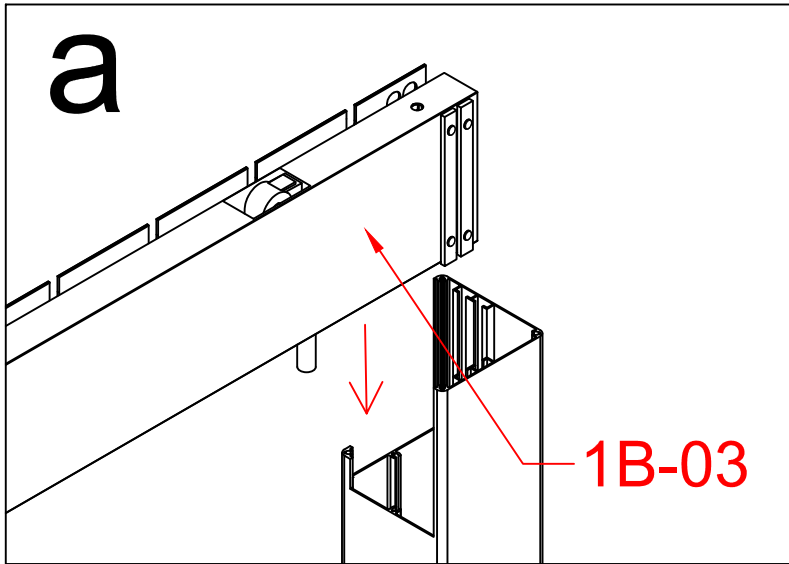


Warning:  
The manual operation nose on both sides need symmetrical installation, please pay attention to distinguish

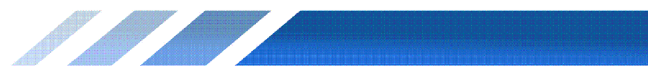


1B-02			1
1B-03			1
1B-14			2

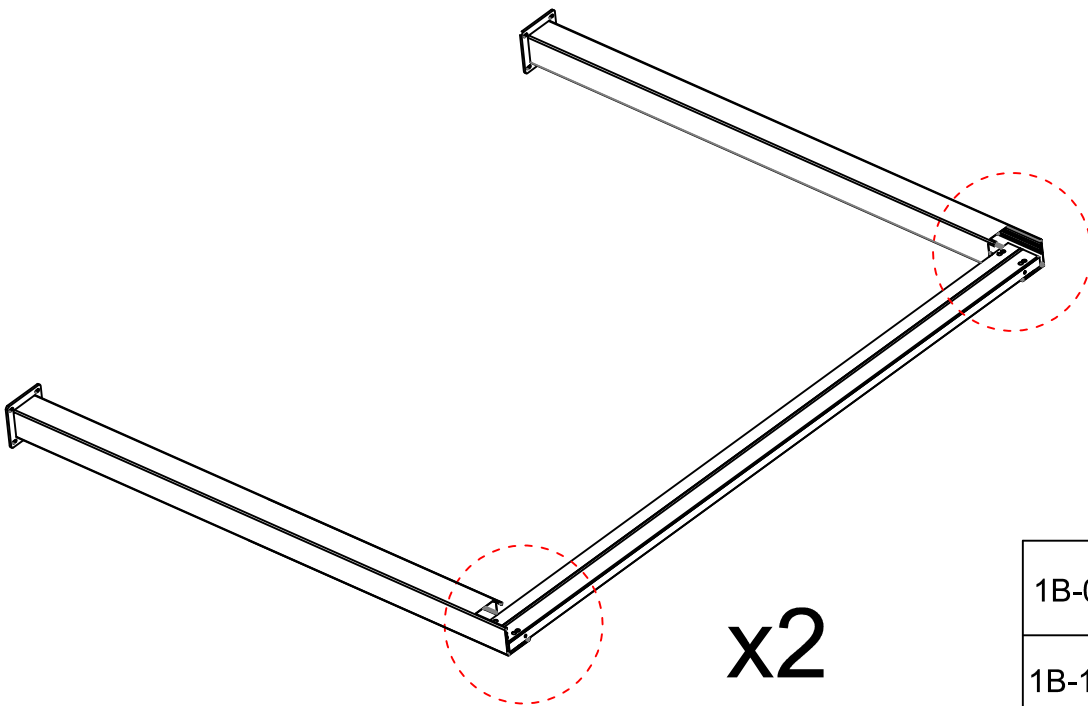
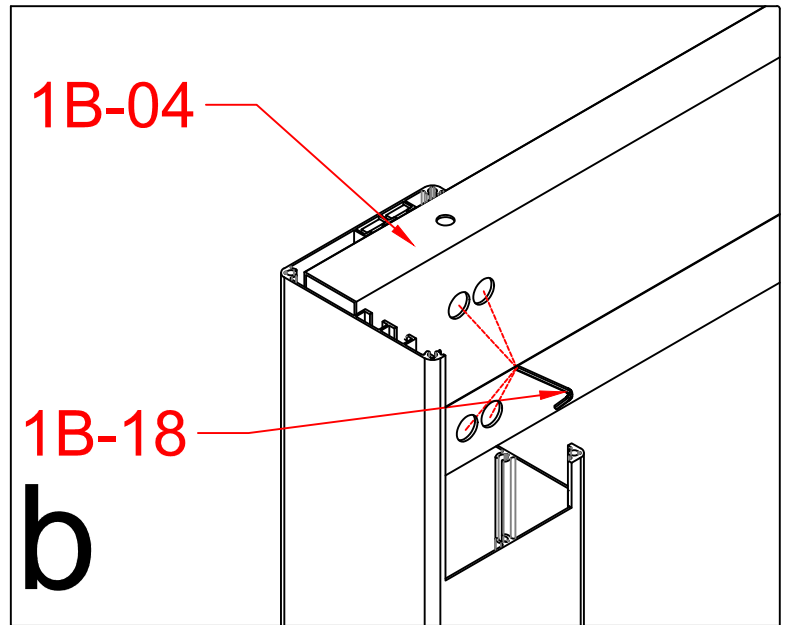
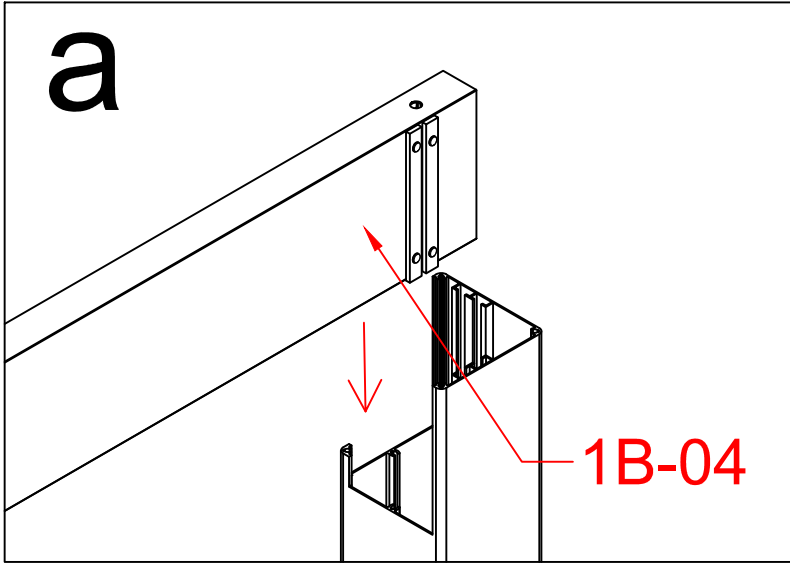




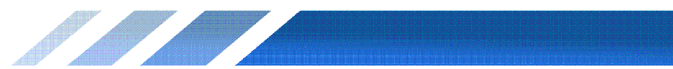
1B-03			1
1B-18			1

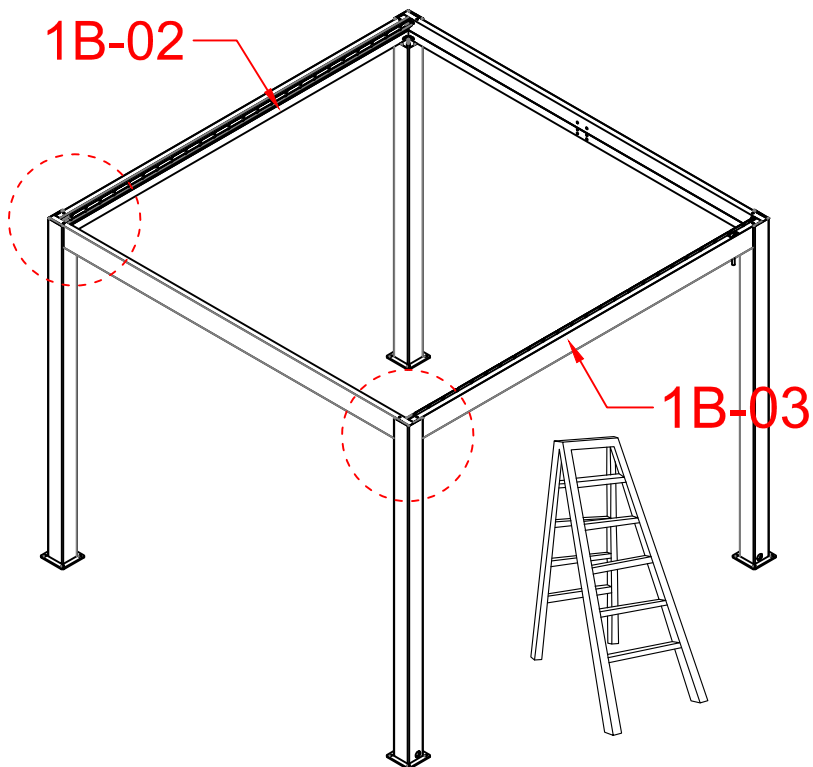
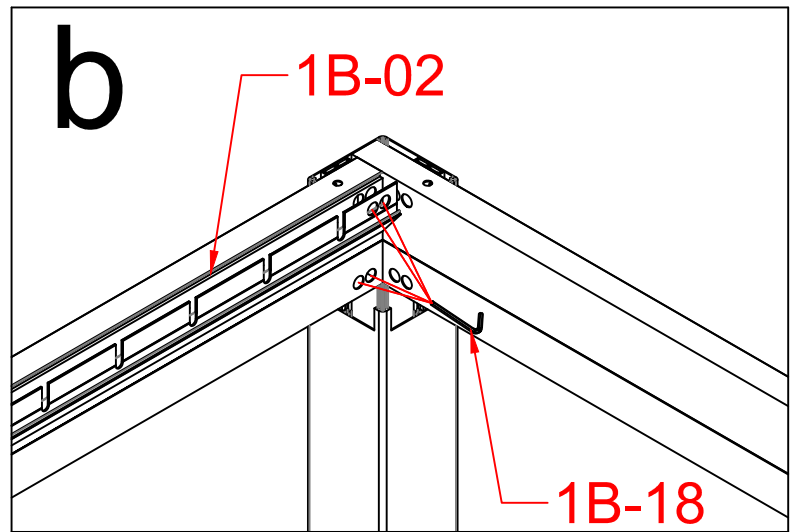
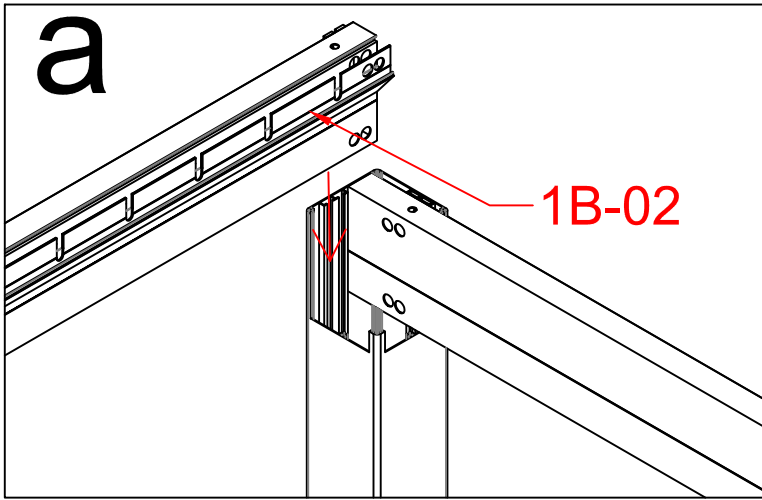




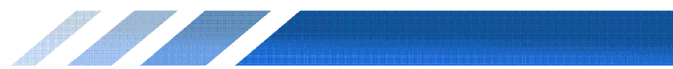


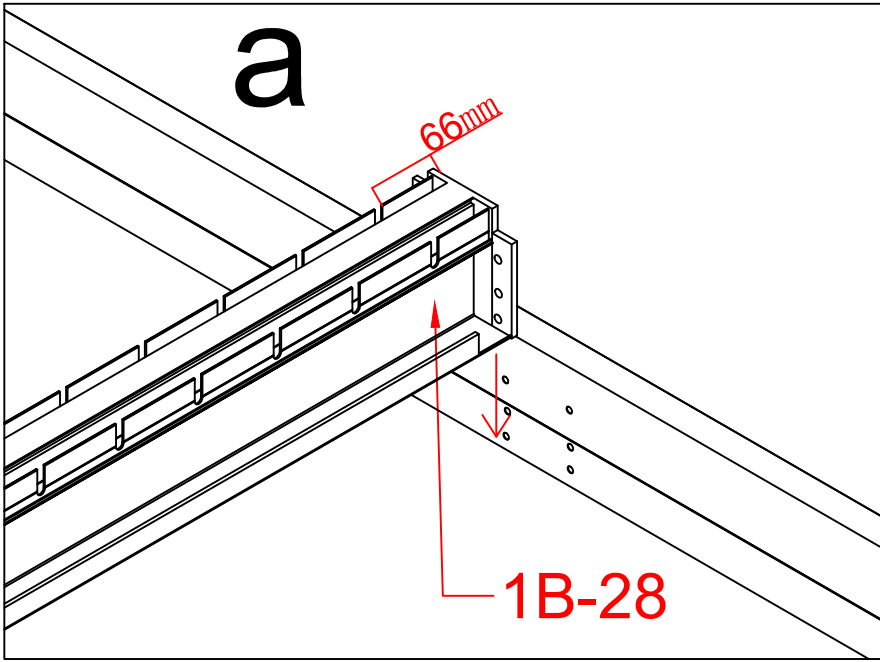
1B-04		2
1B-18		1



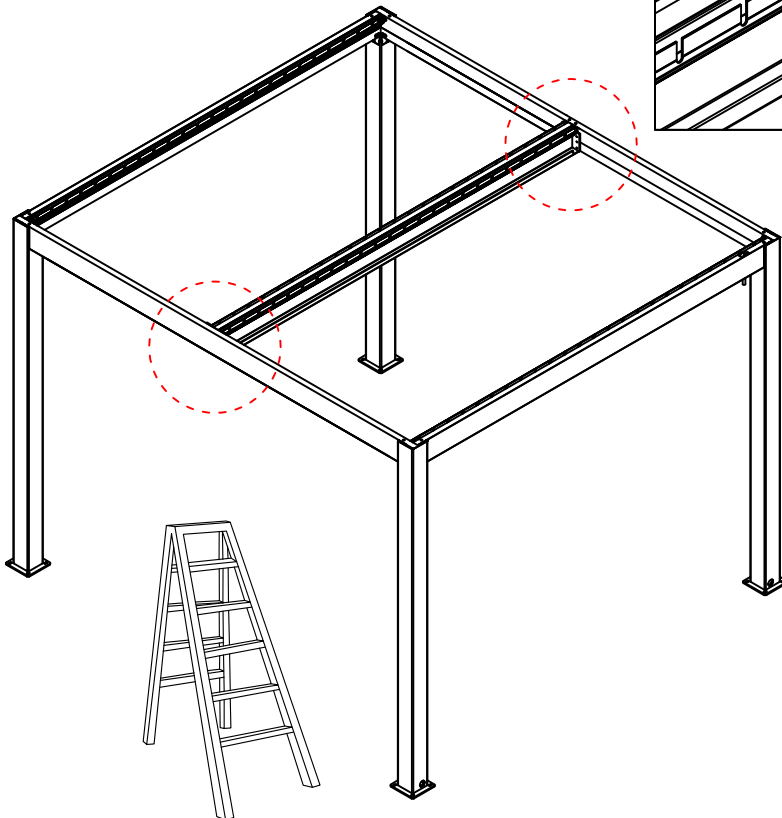
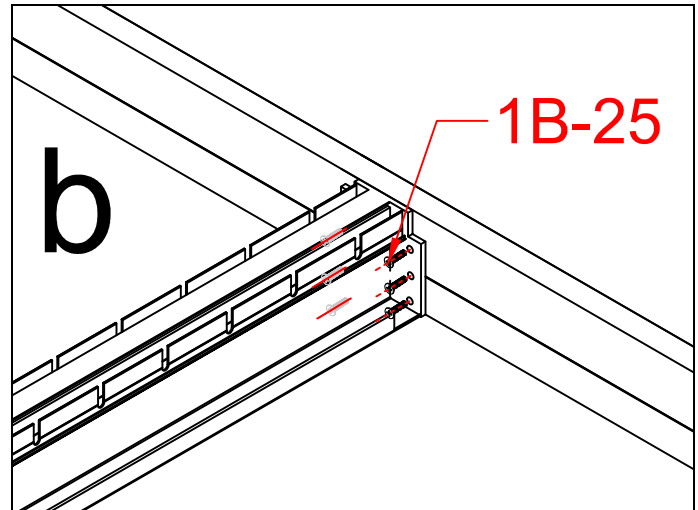


1B-02			1
1B-03			1
1B-18			1

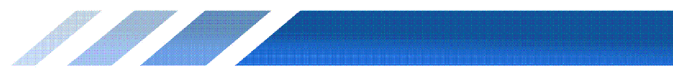




Warning:  
The 66mm end of the middle beam is on the same side as the manual operation nose



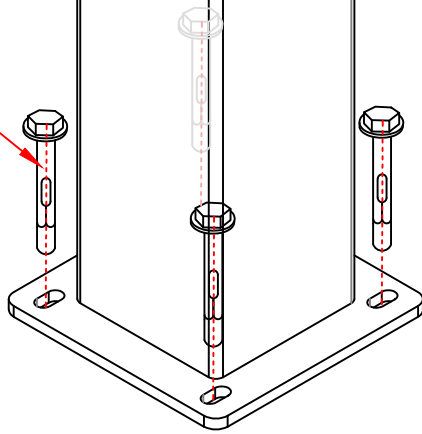
1B-28		1
1B-25		12





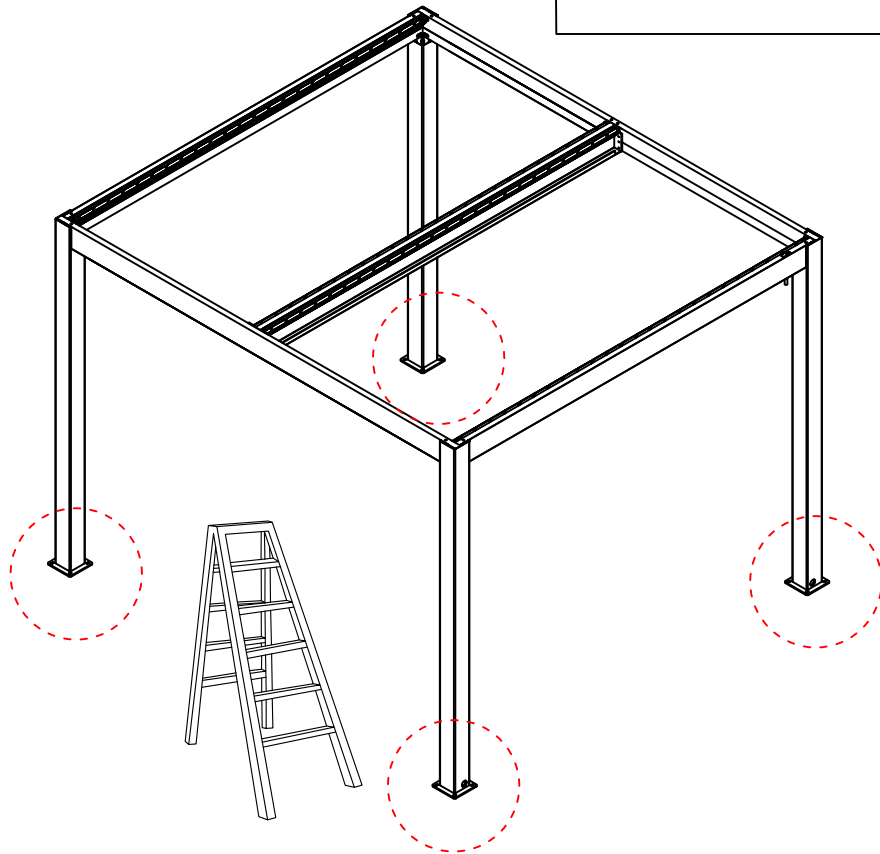
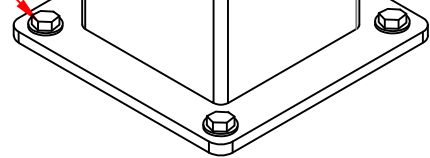
**a**


1B-21

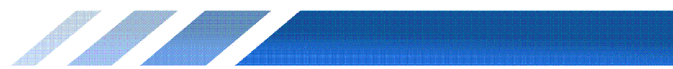


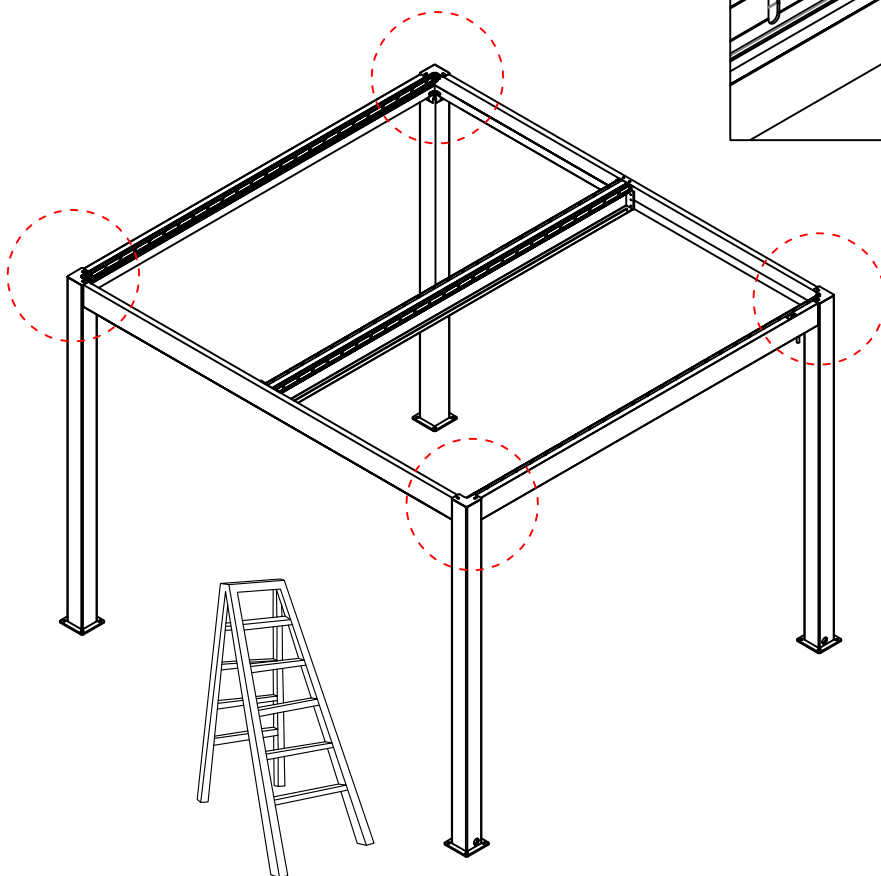
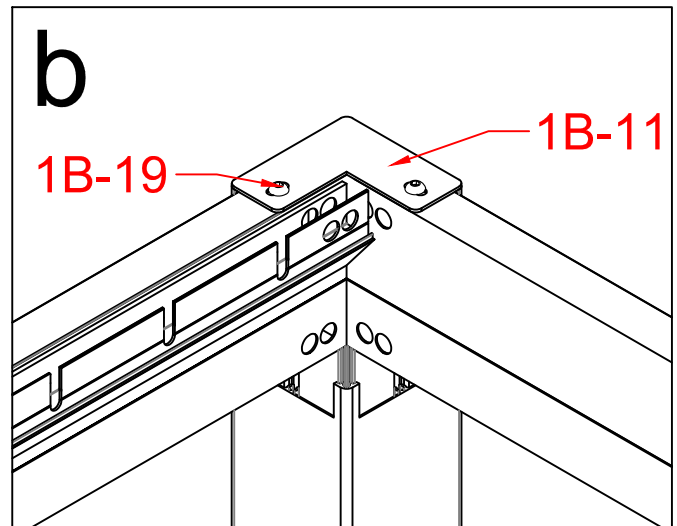
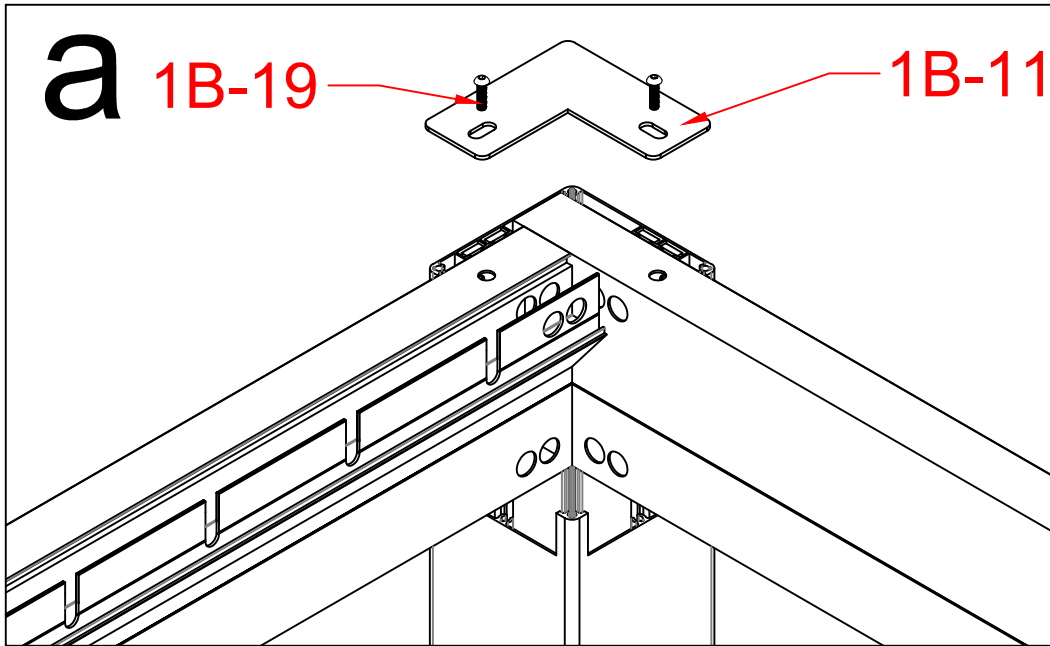
**b**

1B-21



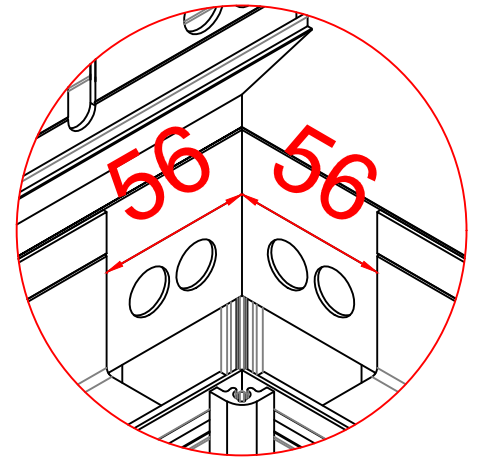
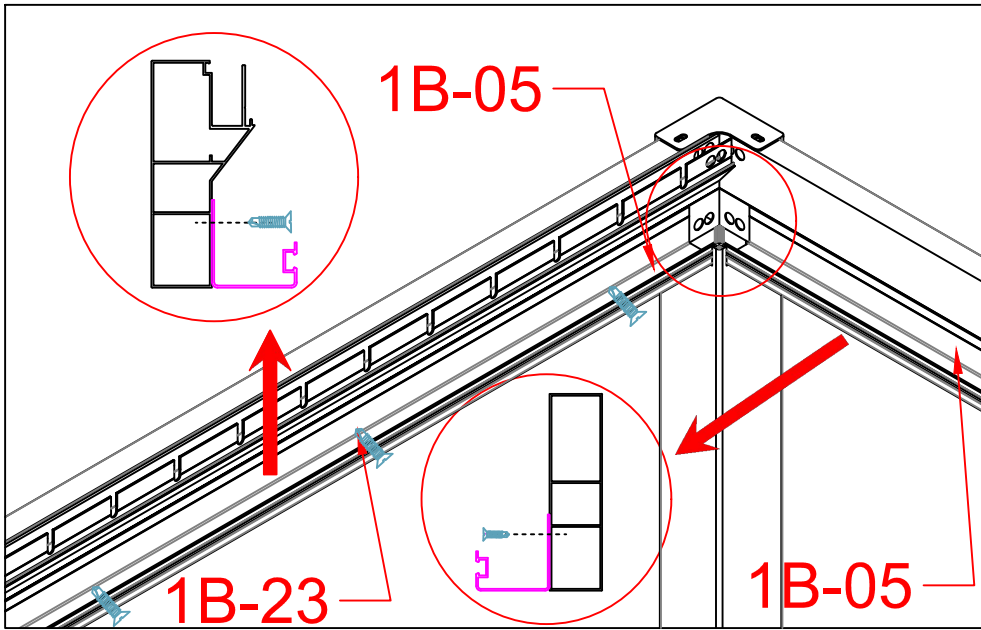
1B-21		16
-------	---	----



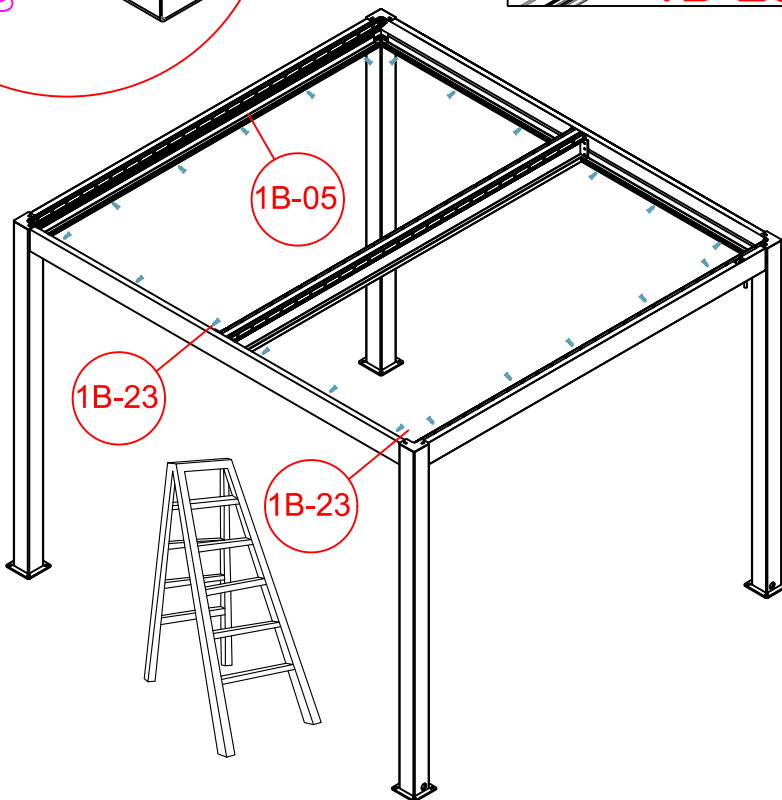
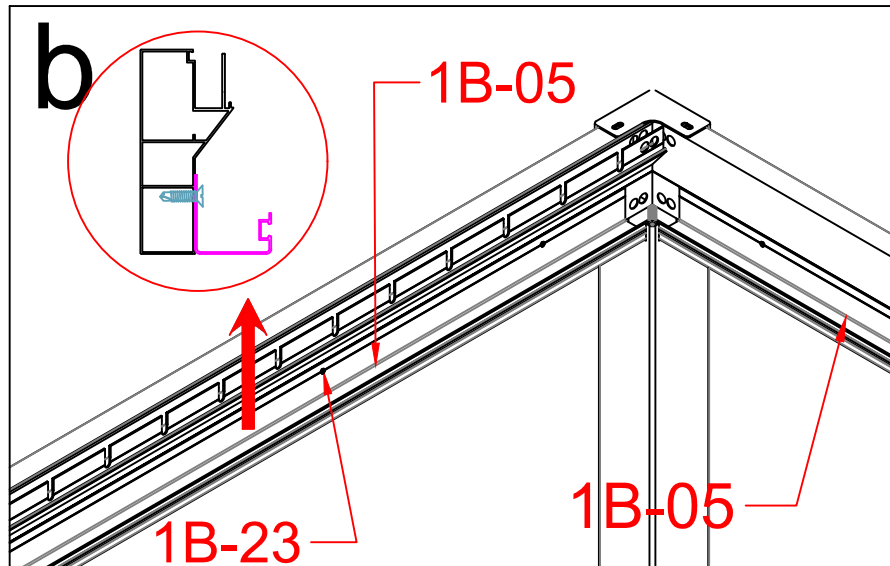
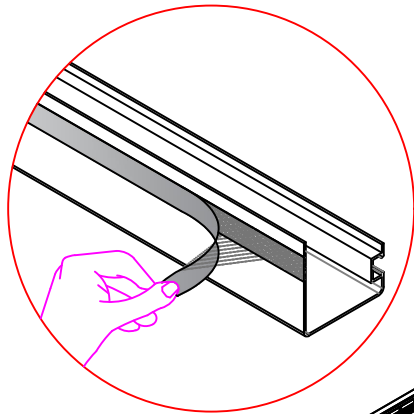


1B-11		4
1B-19		8

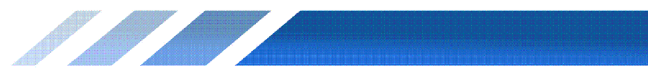


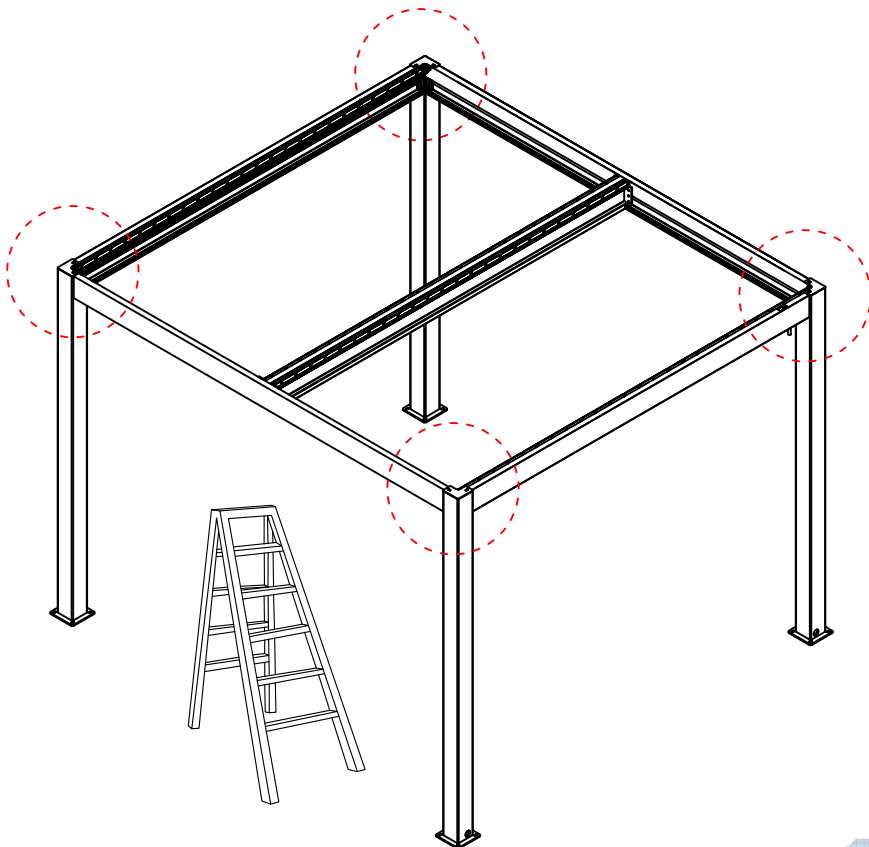
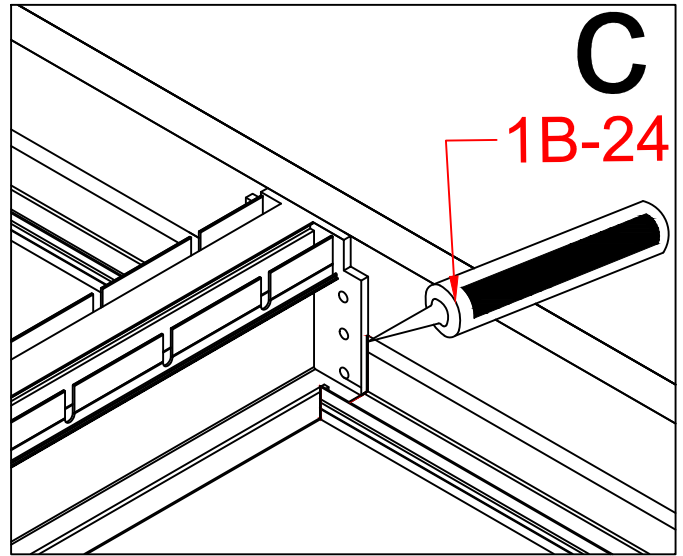
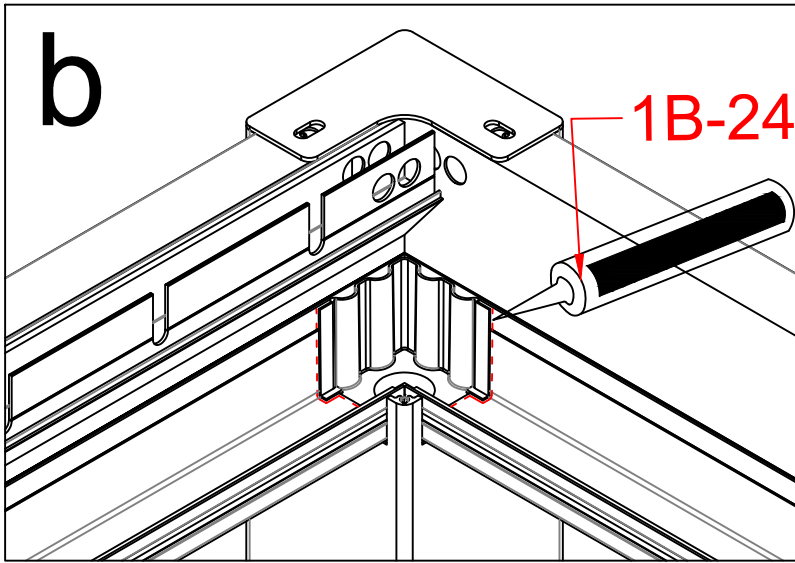
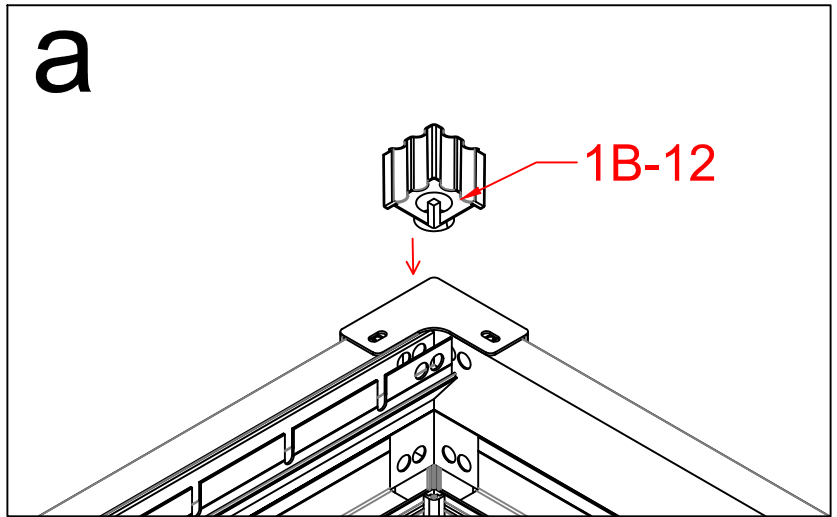




**Warning:**  
Before installation, tear off the protective film of the tape on the back side of Gutter.

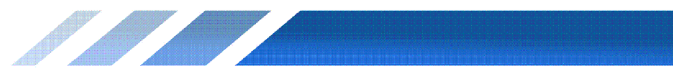


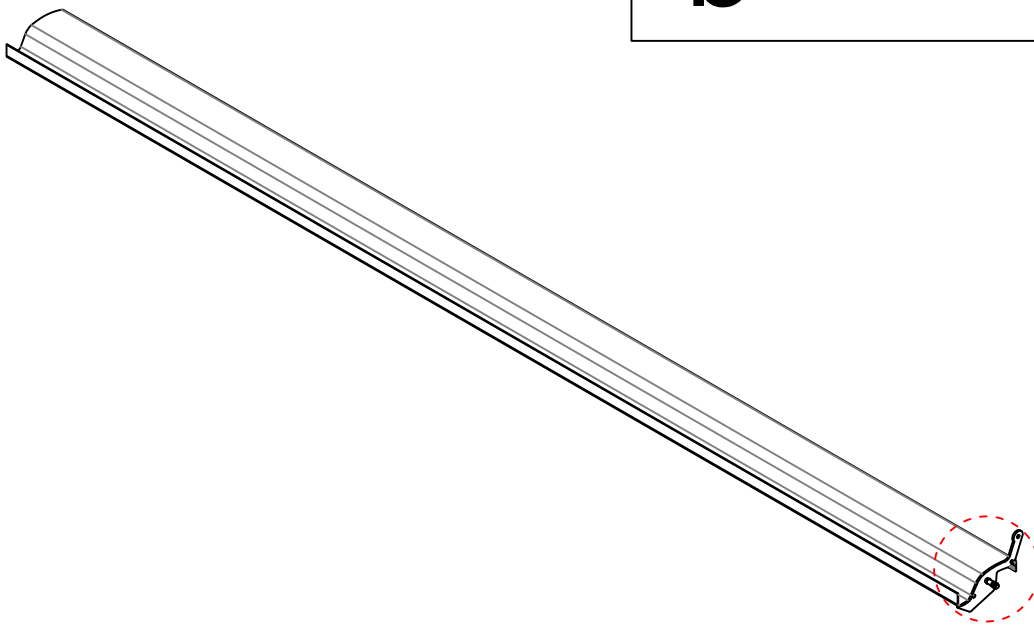
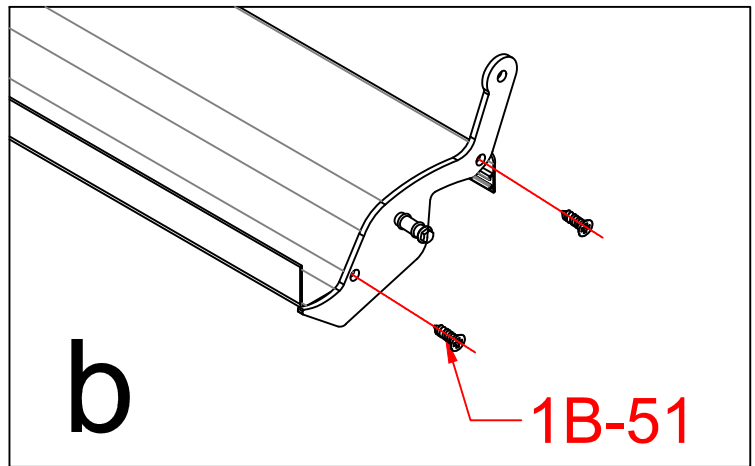
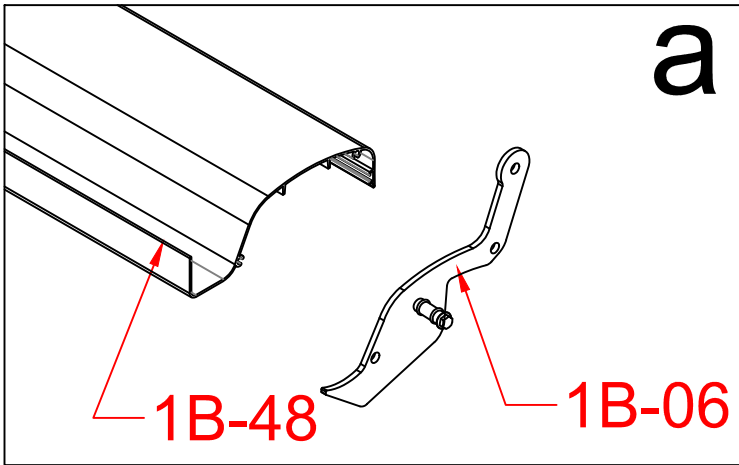
1B-05		6
1B-23		22






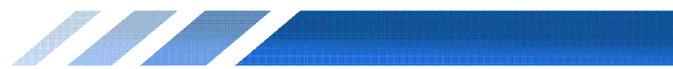


1B-24		1
1B-12		4

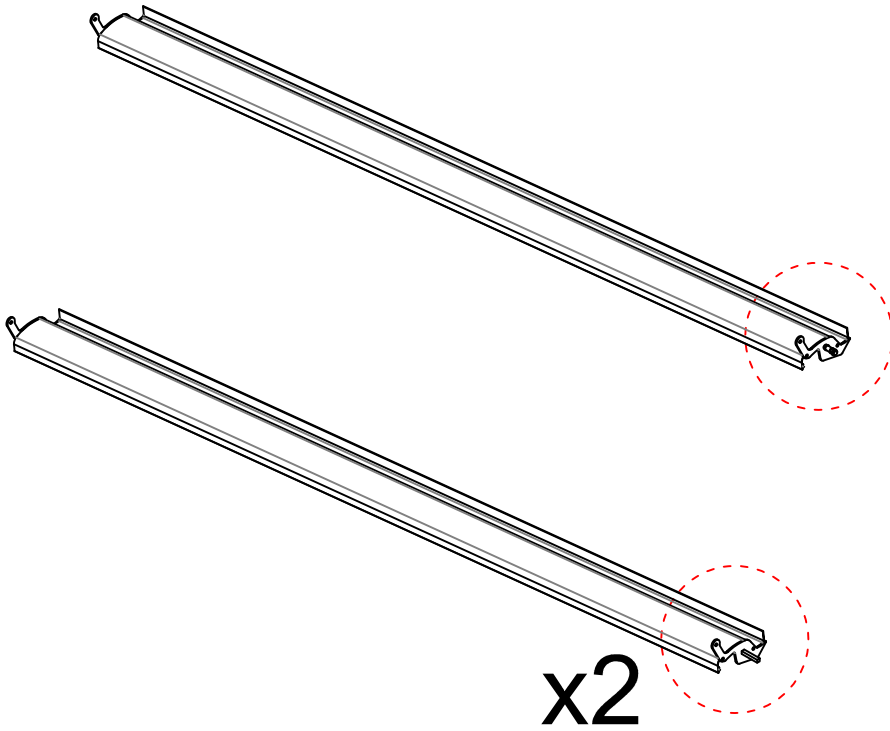
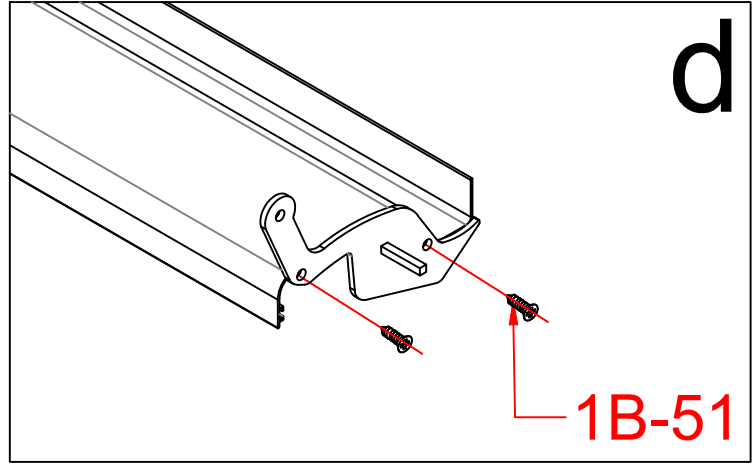
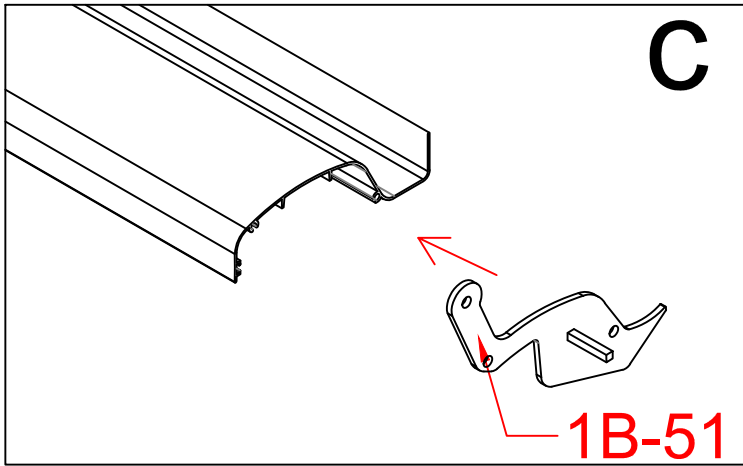
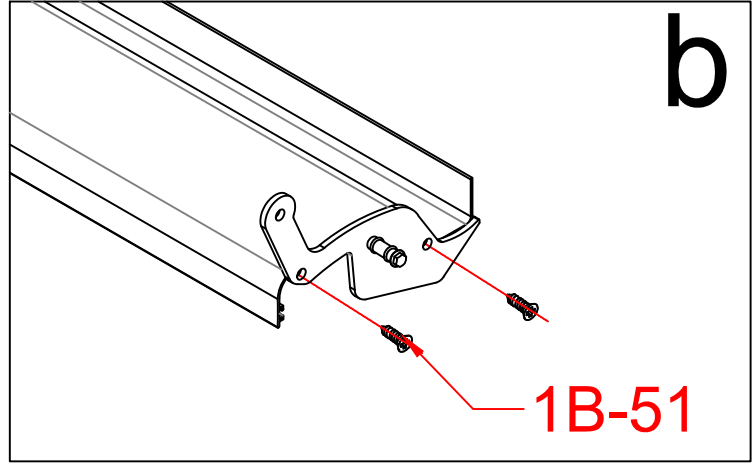
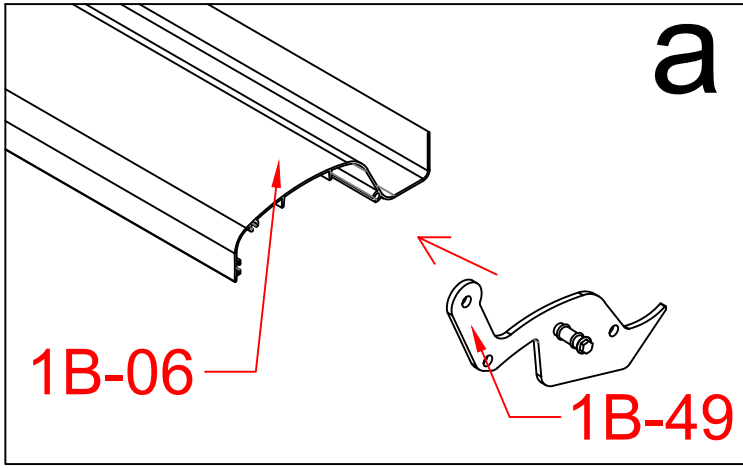







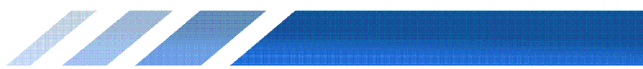
1B-51		X*2
1B-06		X
1B-48		X

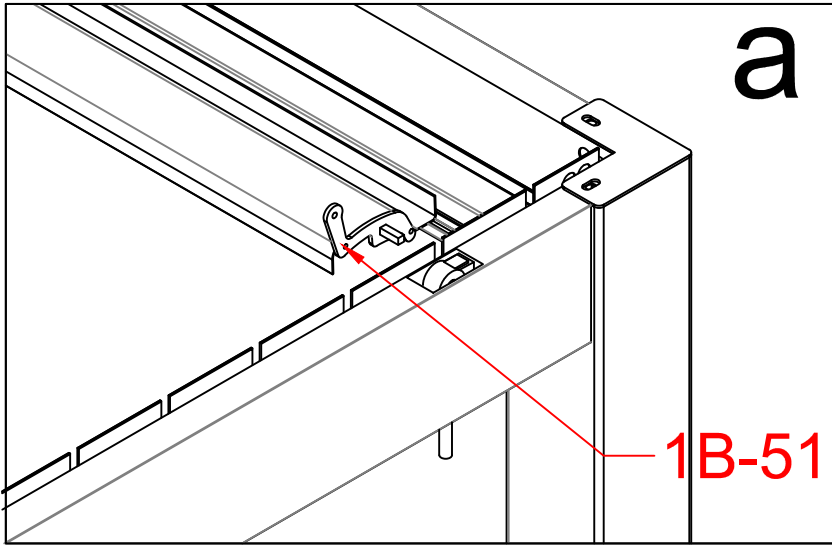




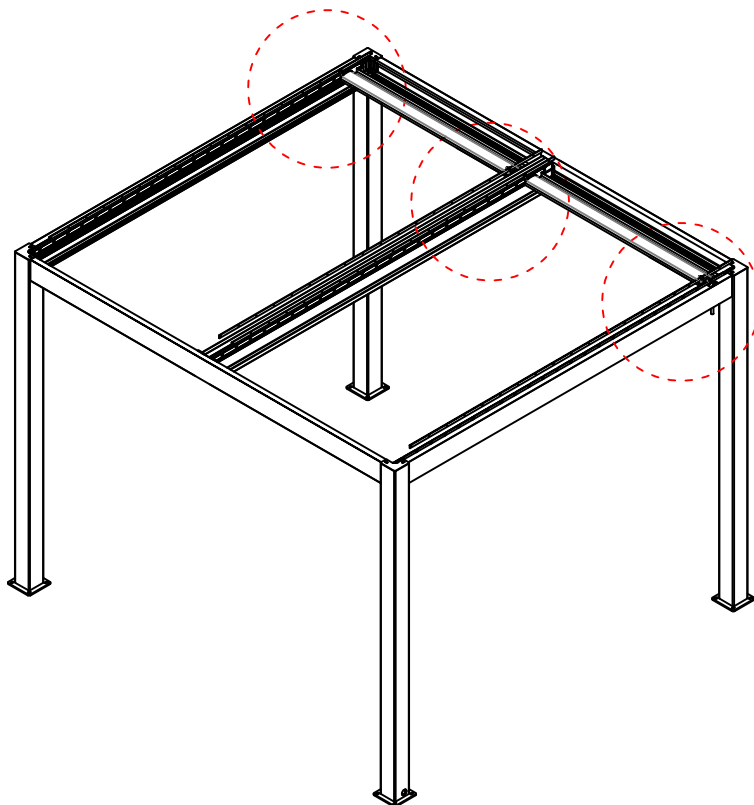
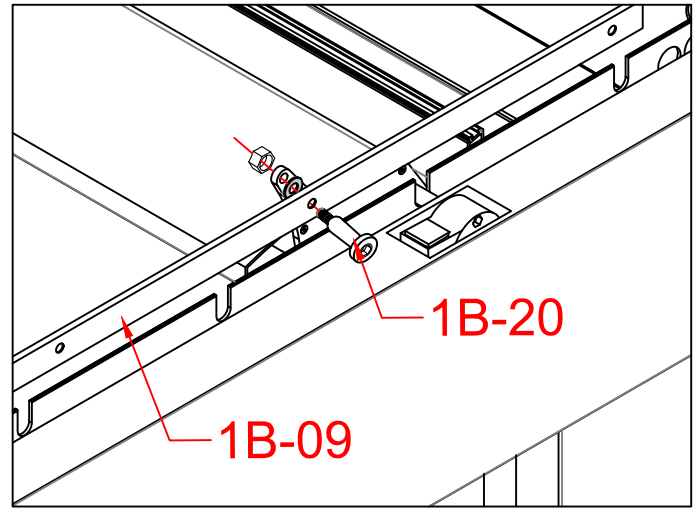


1B-49		X
1B-50		2
1B-51		X

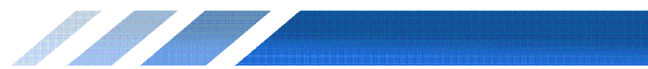


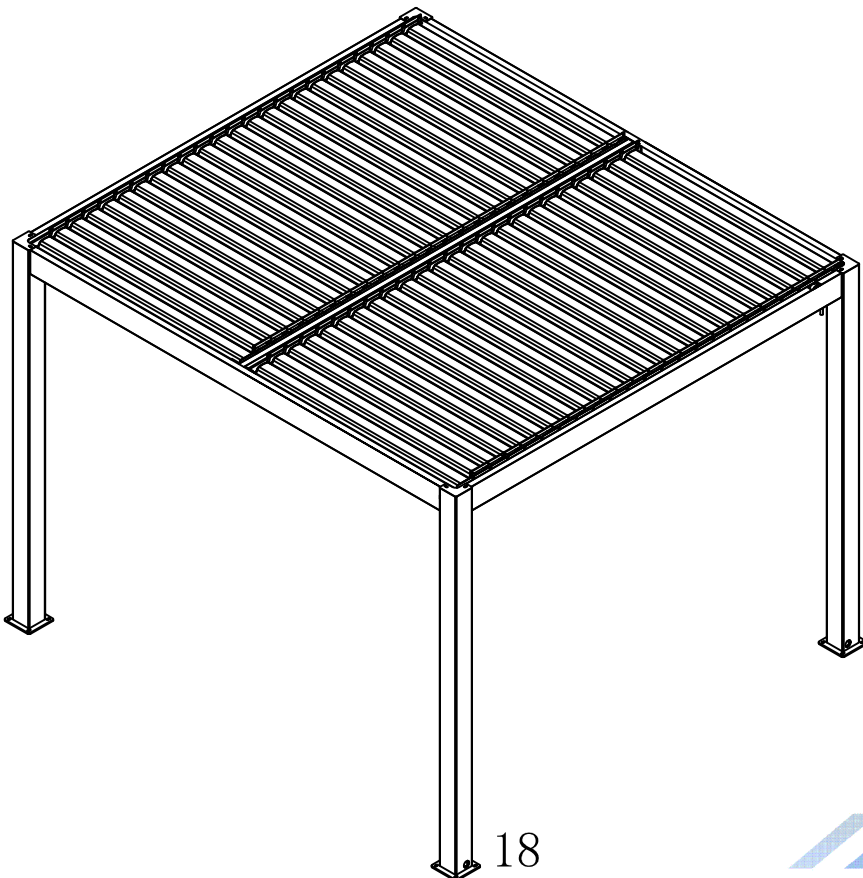
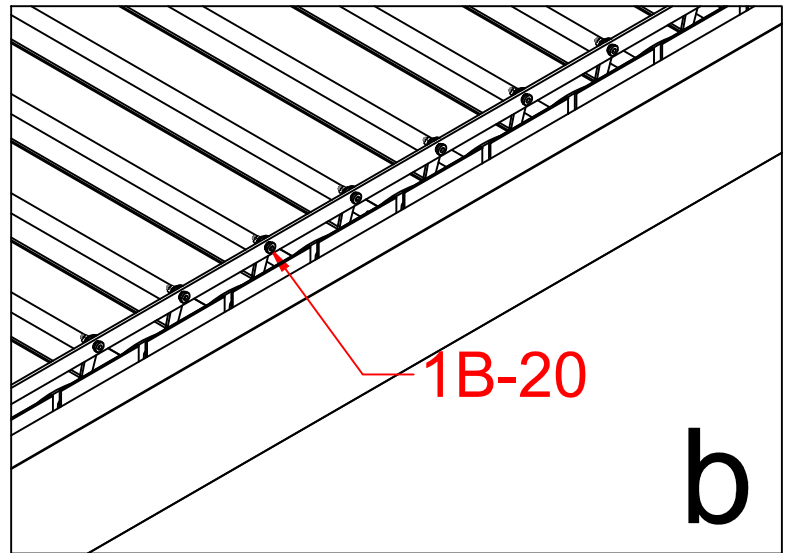
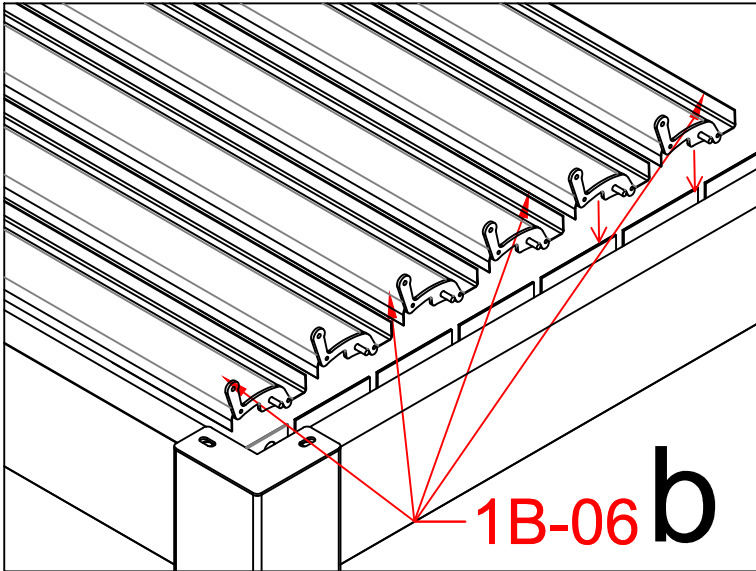


Warning:  
 Simultaneous installation  
 of driving louvres on both  
 sides, and bolts must be  
 tightened.

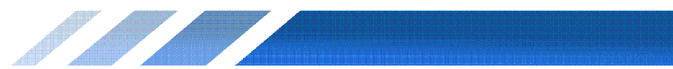


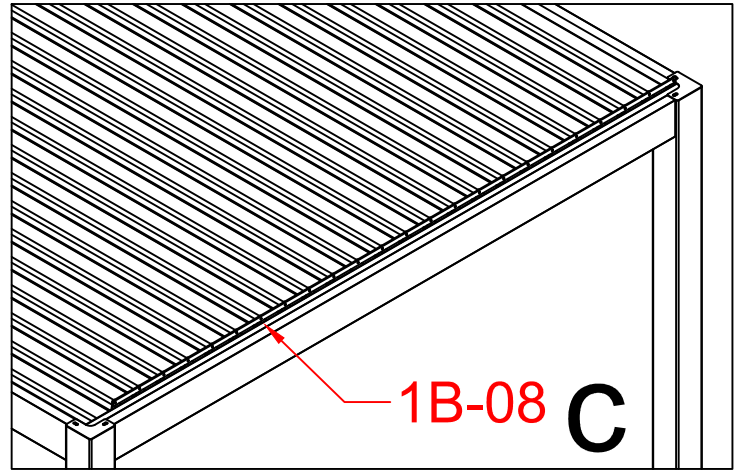
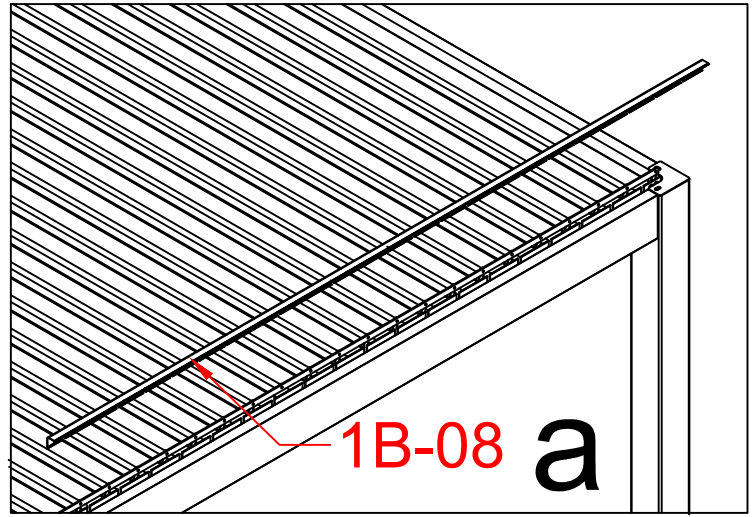
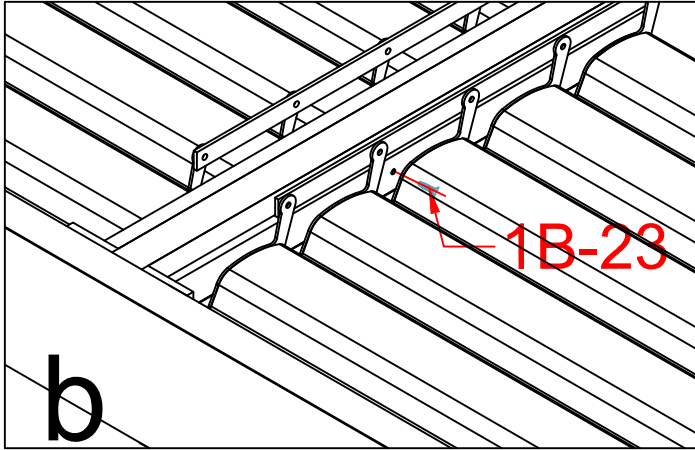
1B-09		4
1B-20		4
1B-06		2



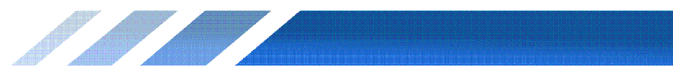


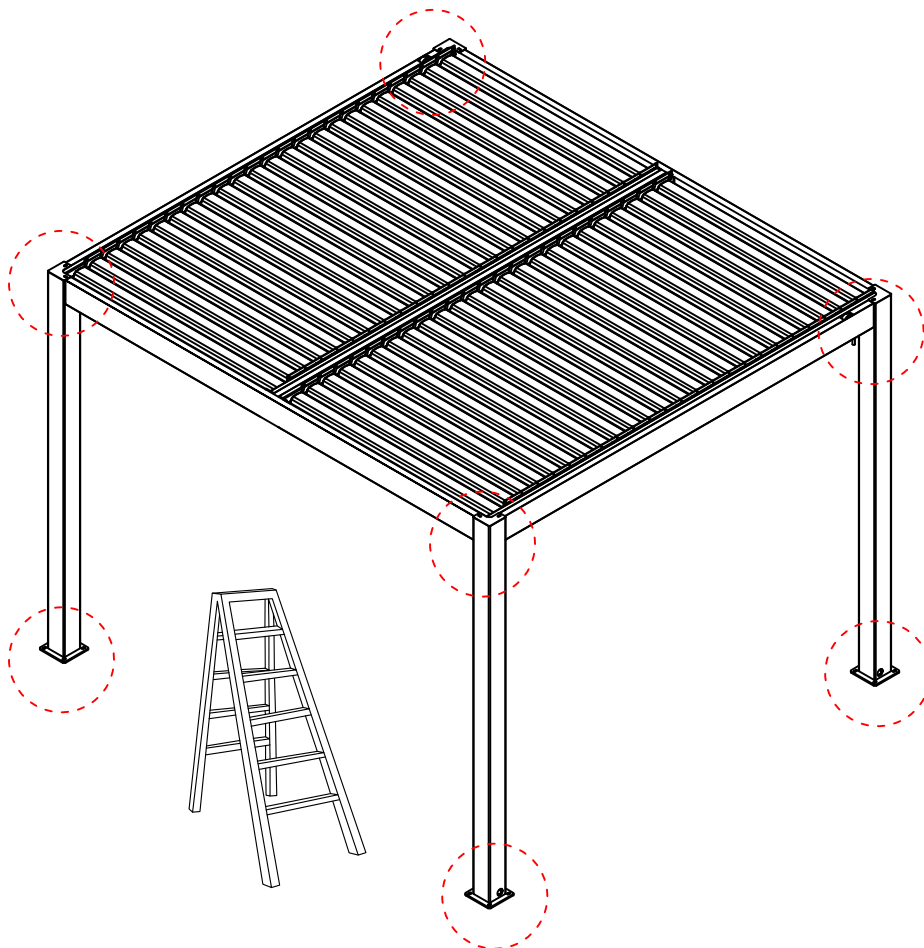
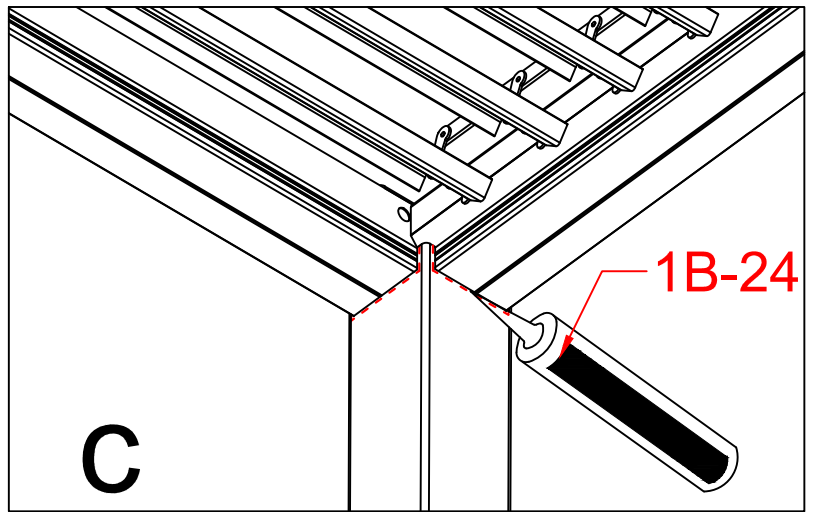
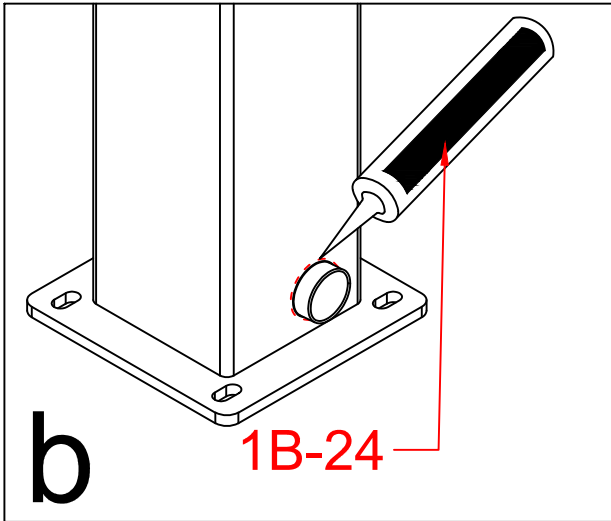
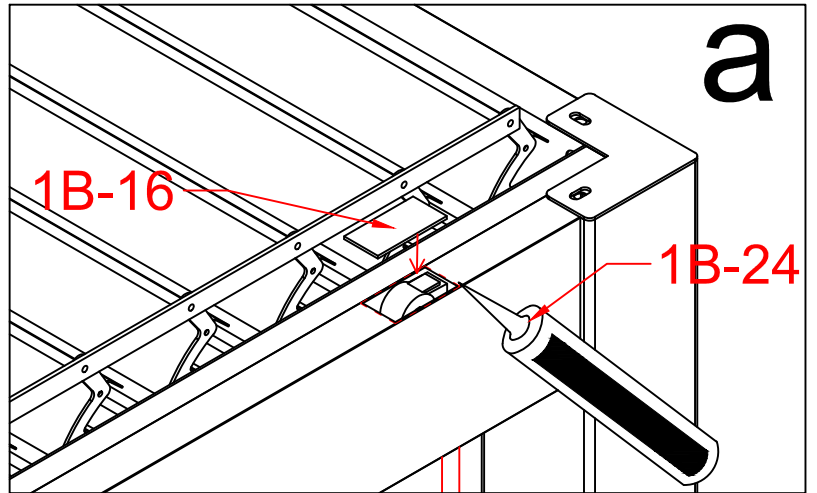
1B-20		128
1B-07		64



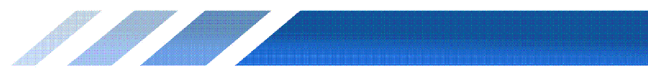


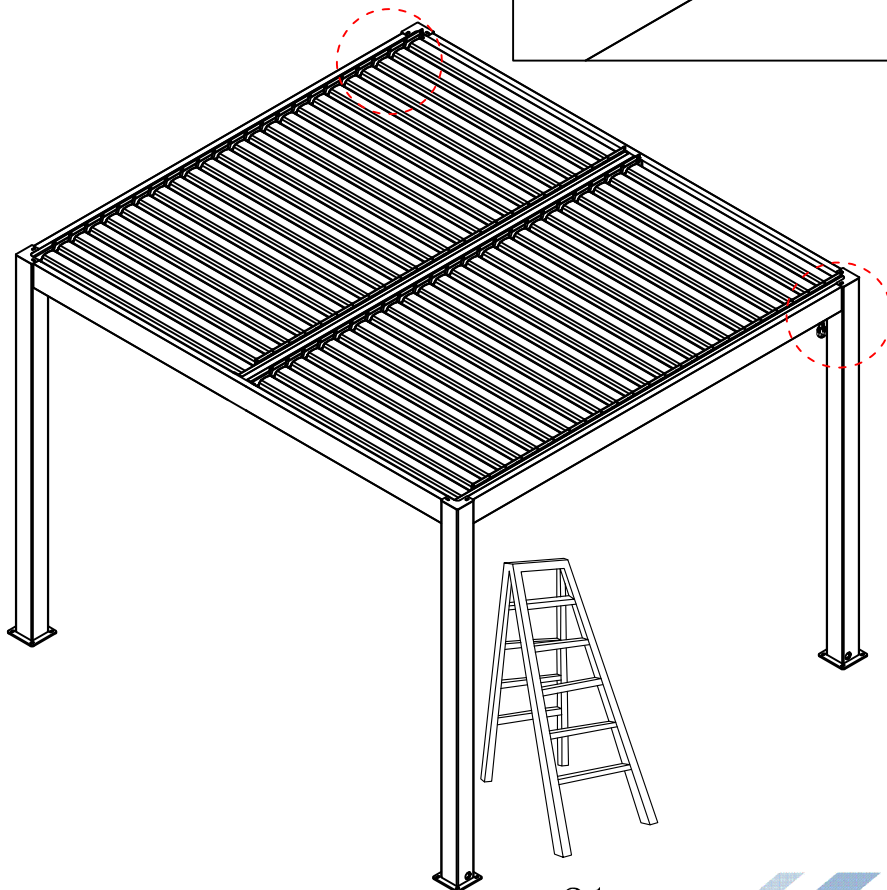
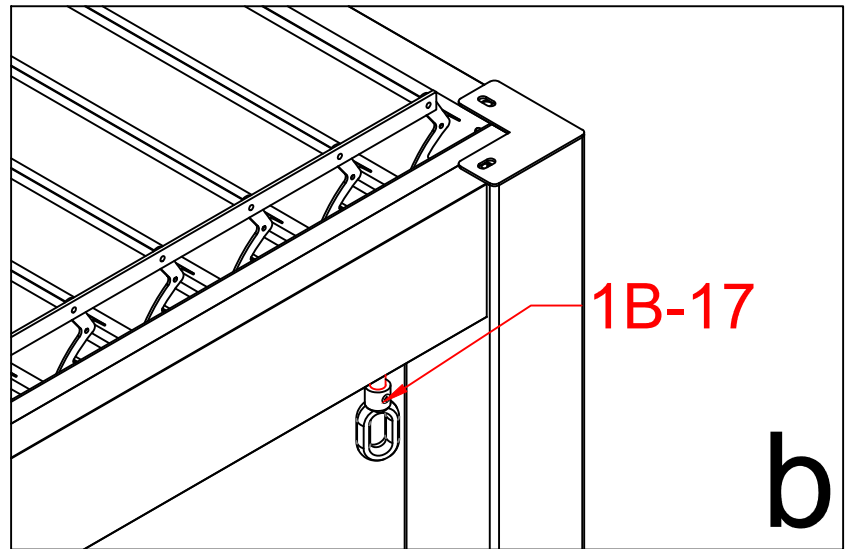
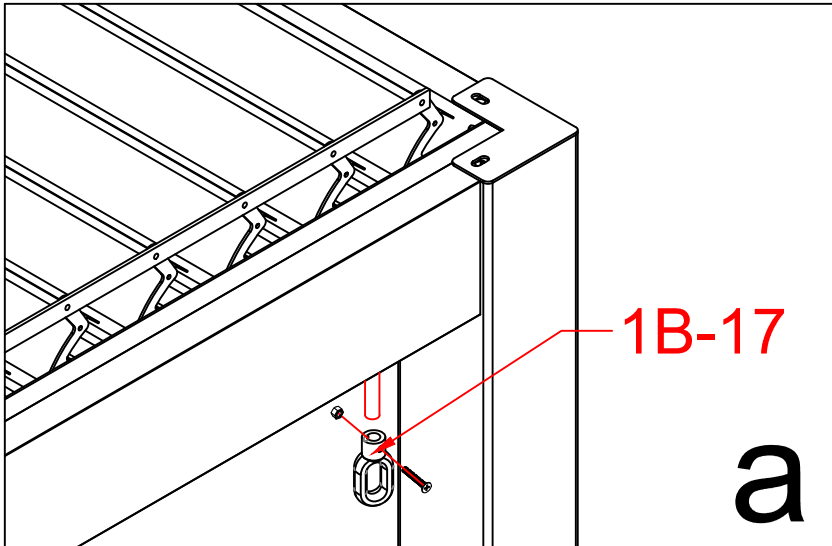
1B-08			4
-------	--	--	---








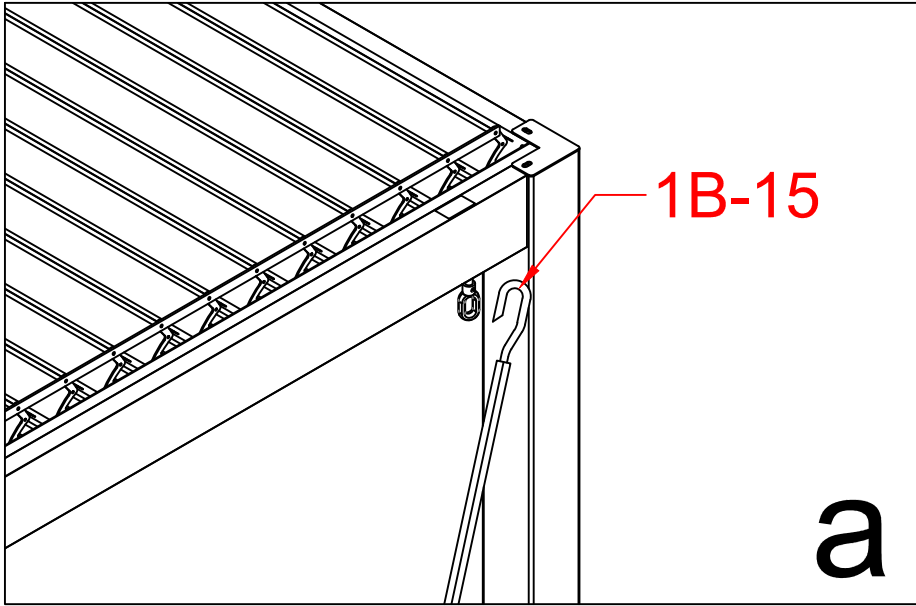
1B-16		2
1B-24		1



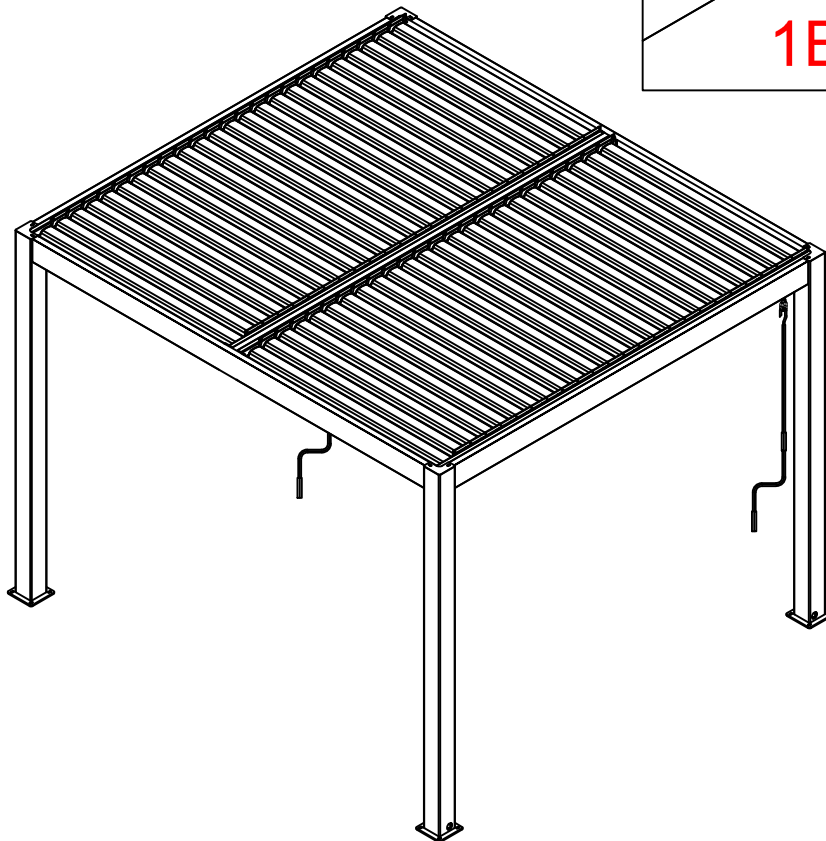
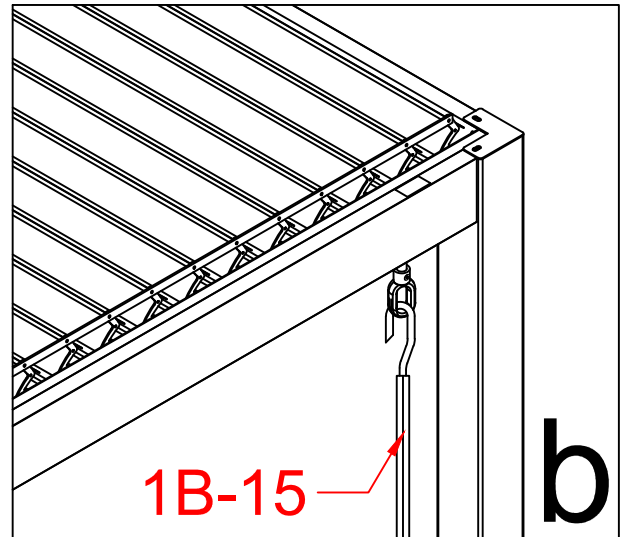


1B-17		+ 		2
-------	---	---	---	---





**Warning**  
In Snow / Wind season or in case of snow / wind forecast open up your shutters in vertical position to avoid any damaging on your pergola.



1B-15		2
-------	--	---

